

REV.	SPECIFICATION	ECN NO.	APPD.
X4			

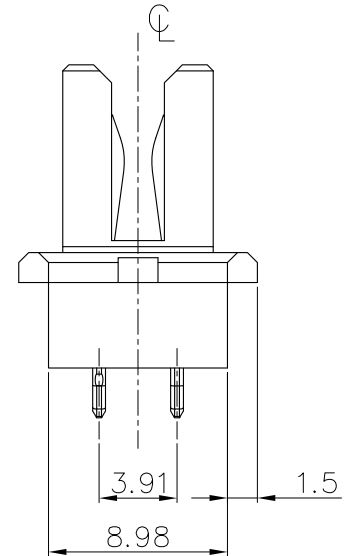
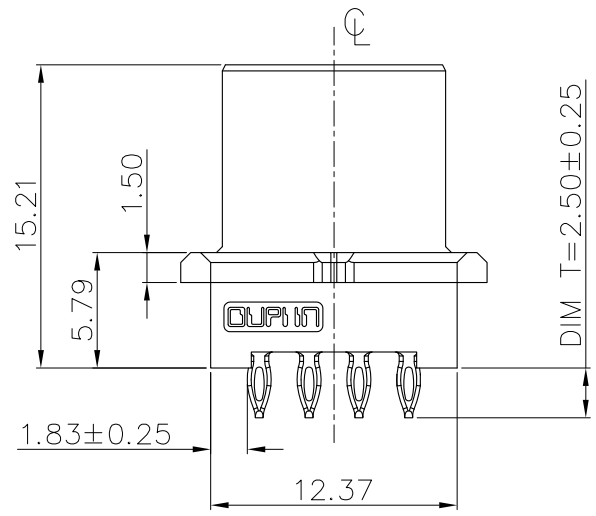
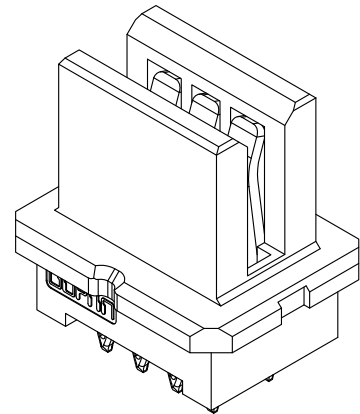
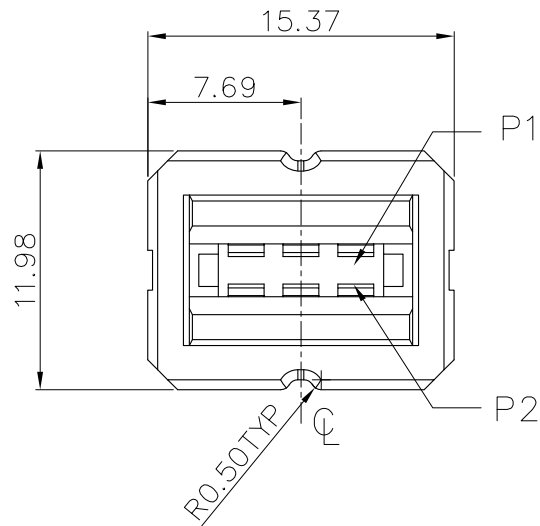
Material and Plating:

Housing: LCP, UL94V-0, Black.
 Power Contacts: High Conductivity Copper.
 30u" Au+Pd/Ni on contact Area and 80u" Min Tin Plated on Press Fit over Nickel 50u" Min.


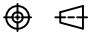
Electrical Characteristics:

Current Rating: Power Pin 30 AMP
 Insulator Resistance: 5000MΩ min. at DC 500V.
 Dielectric Withstanding Voltage:
 Power Pin DC 1500V For 1 minute.
 Contact Resistance: Power Pin 20mΩ max. at DC 20mA.
 Operating Temperature: -40°C ~ +105°C .

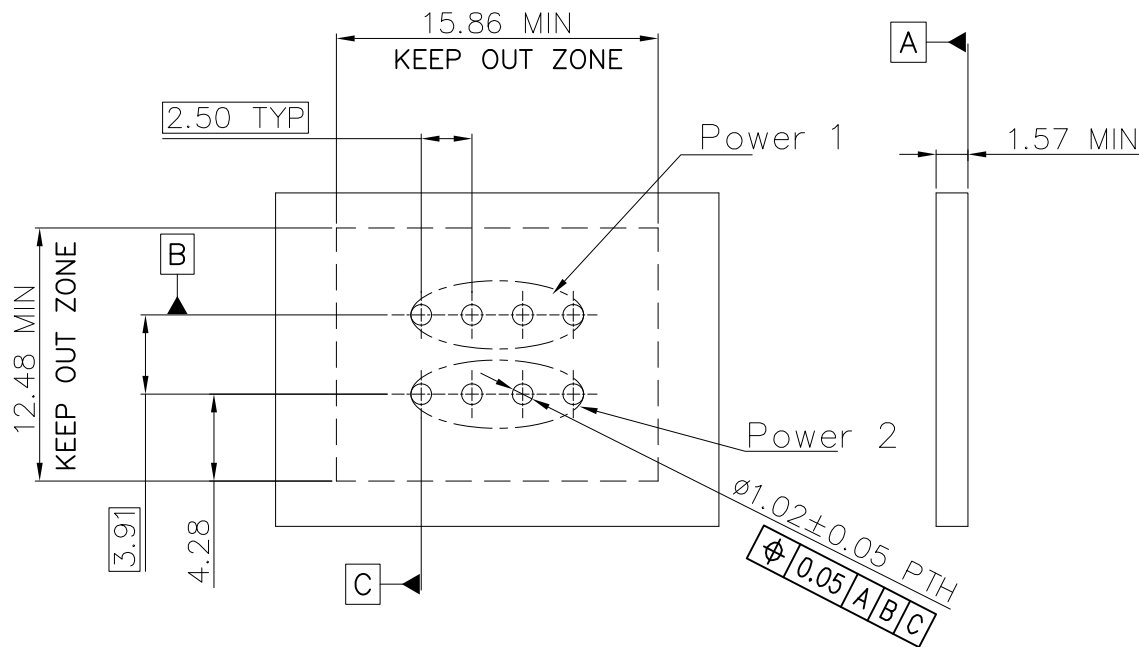
***RoHS Compliant**



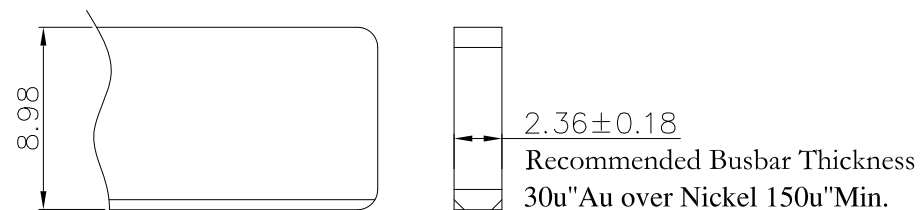
9192-D 2 P02 N 1 B 7 P U
 Series | 2:Female Straight | P02:Power Pin | N:W/O Post | 1:DIM T=2.50mm | B:Dip Tin Plated | 7: 30μ" | U:Tube Package | P:Press-Fit Type | Contact Au+Pd/Ni Plated

Tolerances	Dwg. No.	9192-0000-058	Title:		 OUPIIN ELECTRONIC(KUNSHAN) CO., LTD. P/N: 9192-D2P02N1B7PU SHEET 1/3 Ver. No. X4
x = ±0.5	Projection		9192-D Series		
.x = ±0.25	Unit	mm	Scale	1:1	
.xx = ±0.15	Drawn By	WP 06/03'24	Busbar Clip Connector		


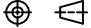
REV.	SPECIFICATION	ECN NO.	APPD.
X4			



P.C.Board Layout
(Tolerance:±0.05)



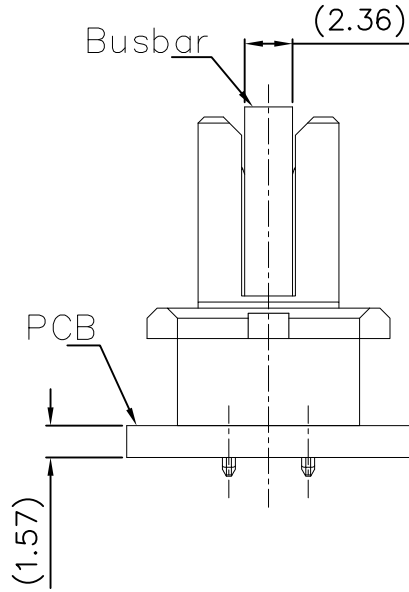
Recommended Mating Busbar Layout

Tolerances	Dwg. No.	9192-D0000-058	Title:		 OUPIIN ELECTRONIC(KUNSHAN) CO., LTD. P/N: 9192-D2P02N1B7PU					
x = ±0.5	Projection		9192-D Series							
.x = ±0.25	Unit	mm	Scale	1:1					Busbar Clip Connector	
.xx = ±0.15	Drawn By	WP 06/03'24							SHEET	2/3

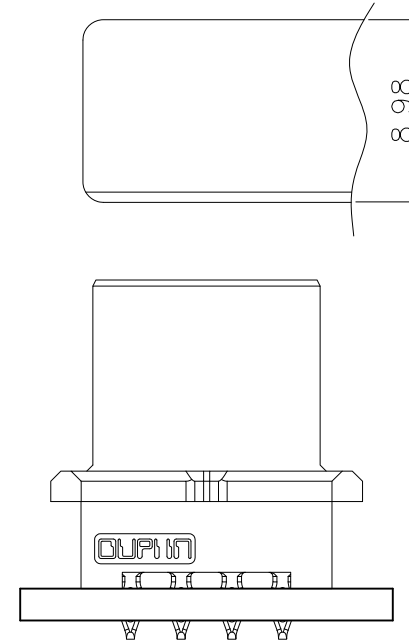
1 2 3 4 5 6 7 8 9 10 11 12


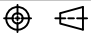
REV.	SPECIFICATION	ECN NO.	APPD.
X4			

CONNECTOR MATED VIEW
FOR REFERENCE ONLY



BUSBAR MATING DIRECTION



Tolerances	Dwg. No.	9192-D0000-058	Title:		 OUPIIN ELECTRONIC(KUNSHAN) CO., LTD. P/N: 9192-D2P02N1B7PU					
x = ±0.5	Projection		9192-D Series							
.x = ±0.25	Unit	mm	Scale	1:1	Busbar Clip Connector		SHEET	3/3	Ver. No.	X4
.xx = ±0.15	Drawn By	WP 06/03'24								

1 2 3 4 5 6 7 8 9 10 11 12