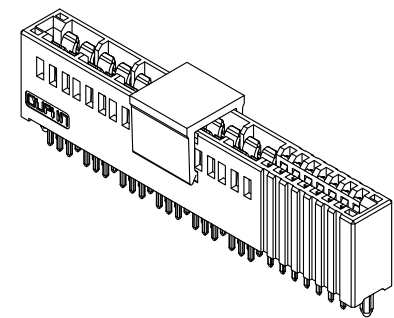
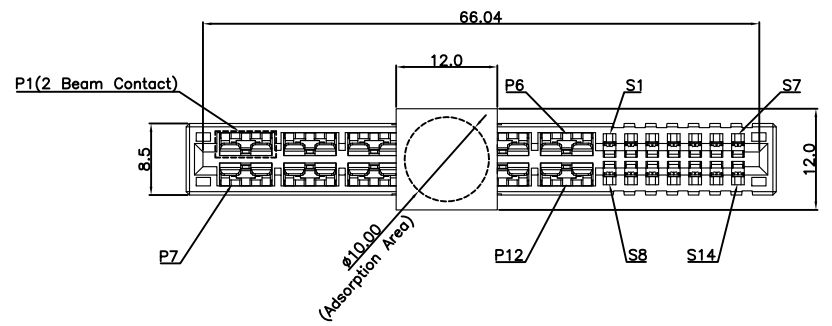


REV.	SPECIFICATION	ECN NO.	APPD.
R6		ECN250318	



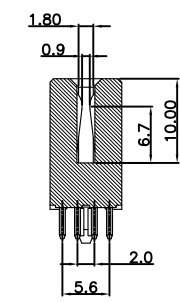
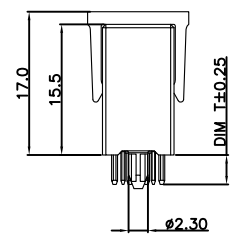
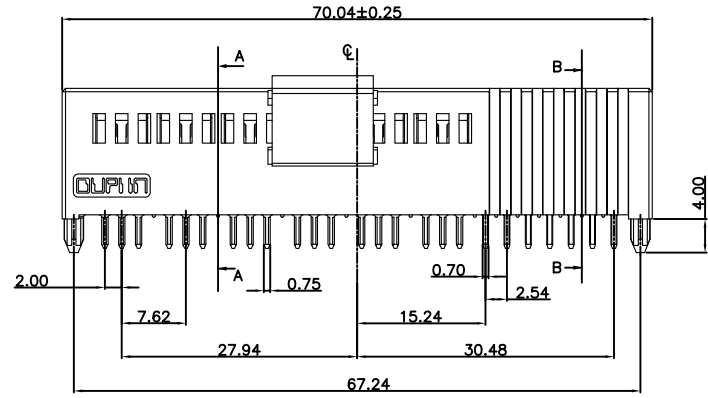
Material and Plating:

Housing: LCP, UL94V-0, Black.
 Power Contacts: High Conductivity Copper.
 30u"Au+Pd/Ni on Contact Area and 80u" Min Tin Plated on Solder Tail over nickel 50u" Min.
 Signal Contacts: Copper Alloy.
 30u"Au+Pd/Ni on Contact Area and 80u" Min Tin Plated on Solder Tail over nickel 50u" Min.

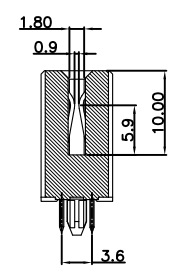
Electrical Characteristics:

Current Rating: Signal Pin 5.0 A(UL)(6x6oz).
 Power Pin 75 A(UL)(6x6oz).
 Insulator Resistance:
 Signal Pin 5000MΩ min. at DC 500V.
 Power Pin 5000MΩ min. at DC 500V.
 Dielectric Withstanding Voltage:
 Signal Pin AC 1000V For 1 minute.
 Power Pin AC 1000V For 1 minute.
 Contact Resistance: Signal Pin 20mΩ max.
 Power Pin 0.6mΩ max.
 Operating Temperature: -55°C ~+105°C.

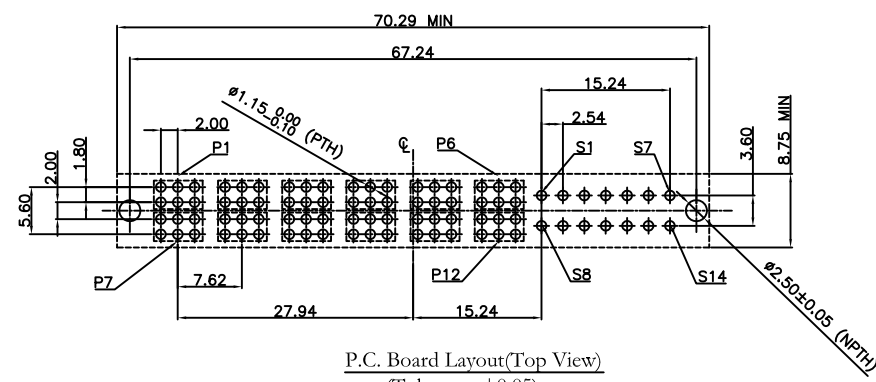
***RoHS Compliant**



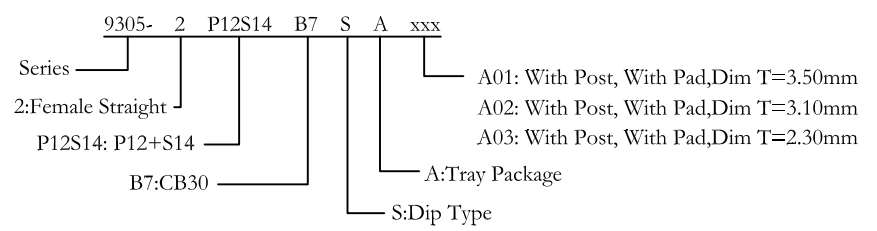
Section: A-A



Section: B-B



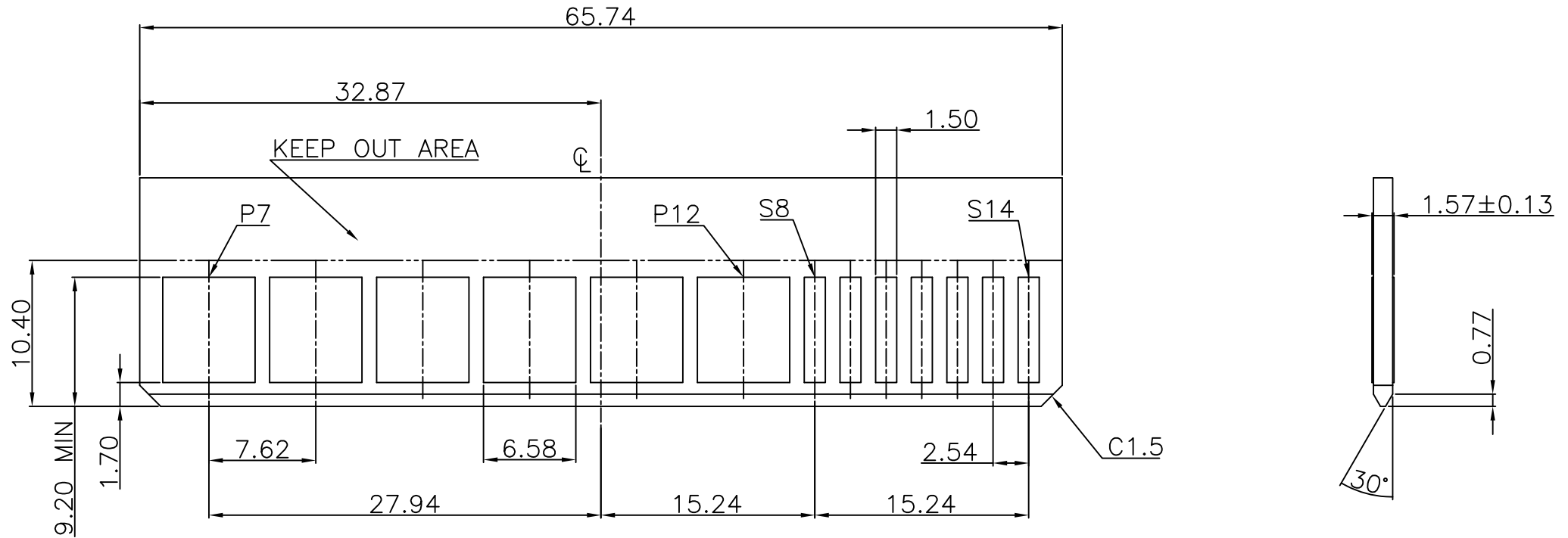
P.C. Board Layout(Top View)
 (Tolerance:±0.05)



Tolerances	Dwg. No.	9305-DP12S14-002	Title:	
x = ±0.5	Projection		9305 Series	
.x = ±0.25	Unit	mm	M-CRPS 73.5mm	
.xx = ±0.15	Drawn By	XM 03/13'25		

OUPIN			
OUPIN ELECTRONIC(KUNSHAN) CO., LTD.			
P/N: 9305-2P12S14B7SAxxx			
SHEET	1/2	Ver.No.	R6

REV.	SPECIFICATION	ECN NO.	APPD.
R6		ECN250318	



Recommended Edge Card Layout
(Tolerance: ±0.05)

Tolerances	Dwg. No.	9305-DP12S14-002		Title:	
x = ±0.5	Projection			9305 Series	
.x = ±0.25	Unit	mm	Scale	1:1	M-CRPS 73.5mm
.xx = ±0.15	Drawn By	XM 03/13/'25			

Title:			
9305 Series			
M-CRPS 73.5mm			

OUPIIN ELECTRONIC(KUNSHAN) CO., LTD.			
P/N: 9305-2P12S14B7SAxxx			
SHEET	2/2	Ver.No.	R6