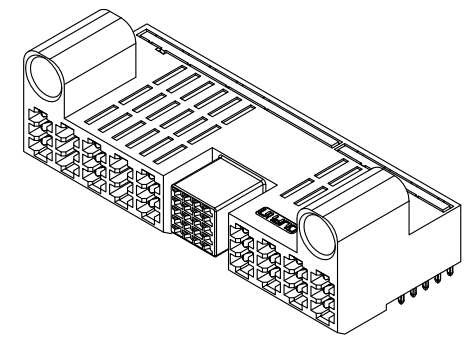
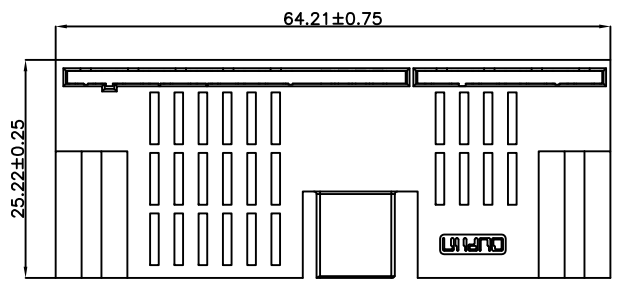


REV.	SPECIFICATION	ECN NO.	APPD.
R1		ECN250227	



Material and Plating:
Housing: LCP, UL94V-0, Black.
Molding: LCP, UL94V-0, Black.
Stopper: LCP, UL94V-0, Black.
Power Contacts: High Conductivity Copper.
30u"Au+Pd/Ni on Contact Area and 80u" Min Tin Plated on Solder Tail over nickel 50u" Min.
Signal Contact: Phosphor Bronze.
30u"Au+Pd/Ni on Contact Area and 80u" Min Tin Plated on Solder Tail over nickel 50u" Min.

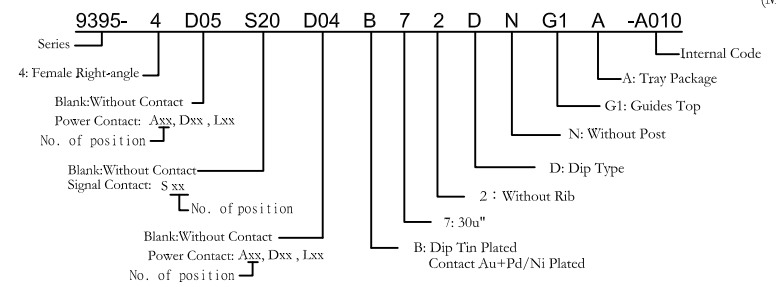
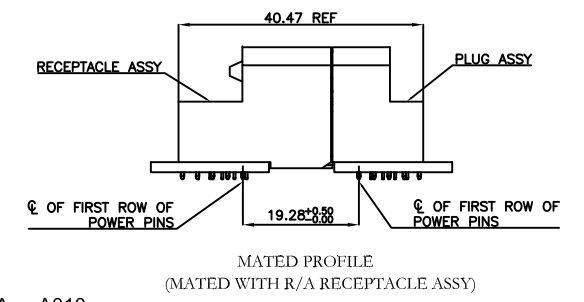
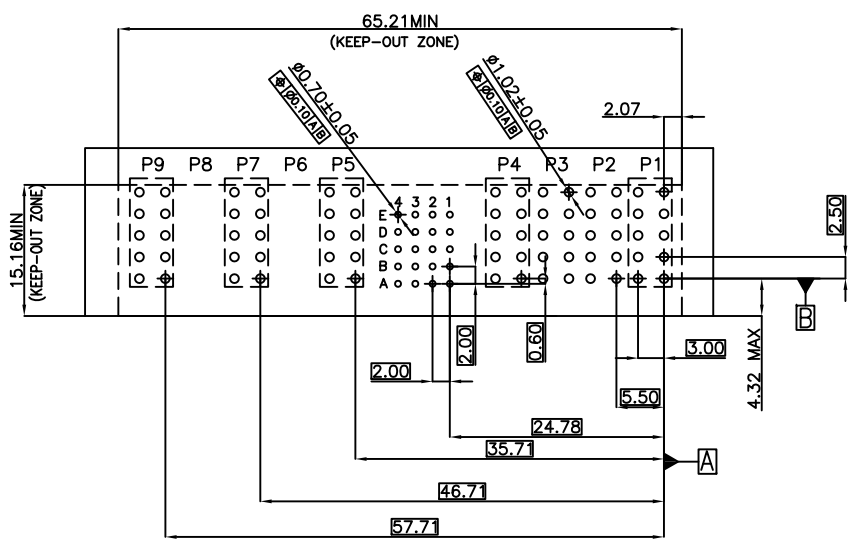
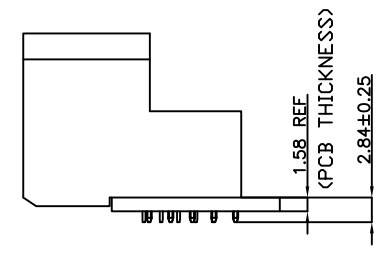
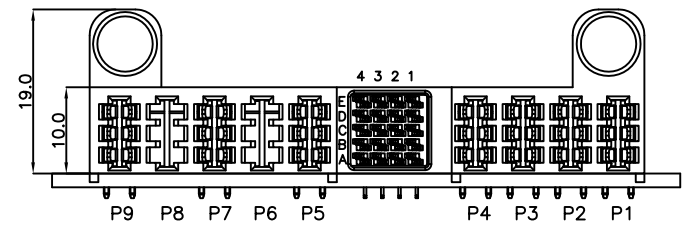
Electrical Characteristics:
Current Rating: Signal Pin 2.5 AMP.
Power Pin 60 AMP.

Dielectric Withstanding Voltage: DC 1500V For 1 minute.
Insulator Resistance: 5000MΩ min. at DC 500V.
Contact Resistance: Signal Pin 30mΩ max.
Power Pin 0.3mΩ max.
Operating Temperature: -40°C ~+105°C.

***RoHS Compliant**

Notes 1:
L: Low Power--PCB Mount 3.0mm Pitch
D: DC Power--PCB Mount 5.5mm Pitch
A: AC Power--PCB Mount 7.5mm Pitch

Notes 2:
P6,P8 Without Contact.



P.C.Board Layout
(Tolerance:±0.05)

Tolerances	Dwg. No.	9395-D0000-036	Title: 9395 Series		OUPIN OUPIN ELECTRONIC(KUNSHAN) CO., LTD.			
x = ±0.5	Projection		Max P60					
.x = ±0.25	Unit	mm	Scale	1:1	P/N: 9395-4D05S20D04B72DNG1A-A010			
.xx = ±0.15	Drawn By	WP 02/17'25	10mm Low Profile, 60Amp Receptable, Right Angle		SHEET	1/1	Ver. No.	R1