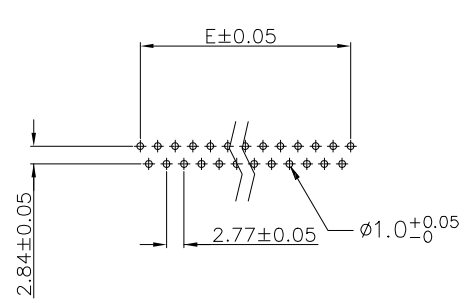
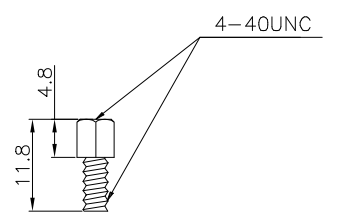
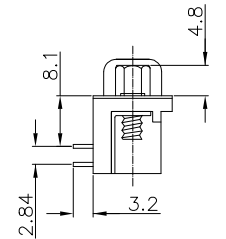
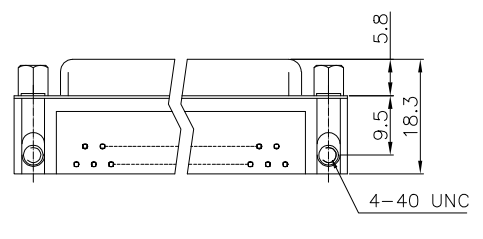
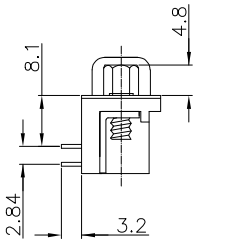
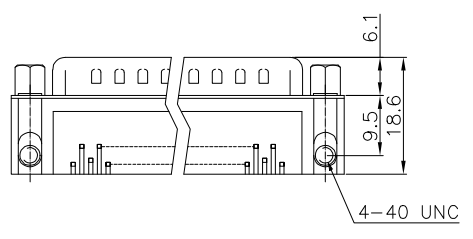
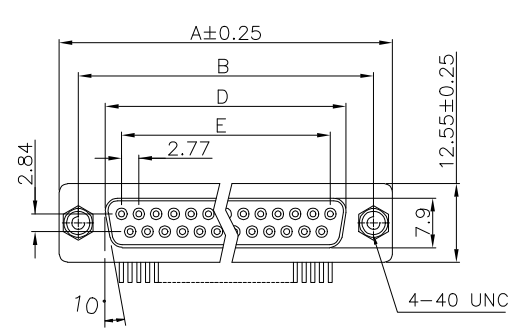
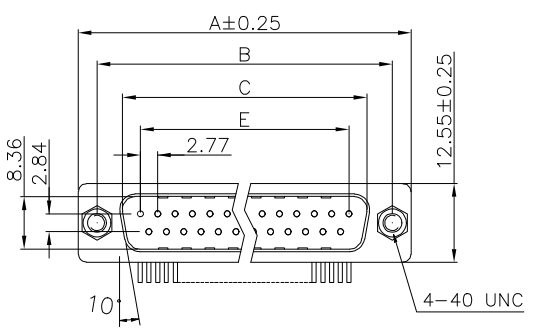


REV.	SPECIFICATION	ECN NO.	APPD.

Male

Female



7906-A xx M Z A  
 Series Positions  
 M: Male F: Female  
 A: Tray Package  
 Z: With 4-40UNC Threaded Mounting Holes, and With Jack Screw Attached and With .130 Diameter Riveted Inserts

**Material:**  
 Housing: PBT, UL94V-0.  
 Contacts: Brass, Gold Plated on Contact Area and Gold Flash on Solder Tail over Nickel 50u".  
 Shell: Steel, 60u" Nickel Plated over Copper 50u".  
 Clinsh: Copper Alloy, 60u" Nickel Plated.  
 Screw: Steel, 50u" Nickel Plated.  
**Electrical Characteristics:**  
 Current Rating: 3 AMP.  
 Dielectric Withstanding Voltage: AC 1000V.  
 Insulator Resistance: 1000MΩ min.  
 Contact Resistance: 20mΩ max.  
 Operating Temperature: -55°C~+105°C.  
**\*RoHS Compliant**

Positions	A	B	C	D	E
09	30.81	24.99	16.92	16.35	11.08
15	39.20	33.30	25.25	24.70	19.39
25	53.05	47.04	38.96	38.40	33.24
37	69.40	63.50	55.42	54.80	49.86

Tolerances		Dwg. No.	7906D03035		Title:		 OUPIIN ELECTRONIC(KUNSHAN) CO., LTD. P/N: 7906-AxxMZA&7906-AxxFZA SHEET 1/1 Ver.No. A1
x' = ±3'	x. = ±0.38	Projection			7906-A Series		
.x' = ±1.0'	.x = ±0.25	Unit	mm	Scale	1:N	D-SUB	
	.xx = ±0.13	Drawn By	Martin 12/06'23		① 747	Right Angle Type	