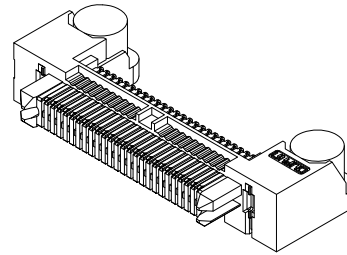
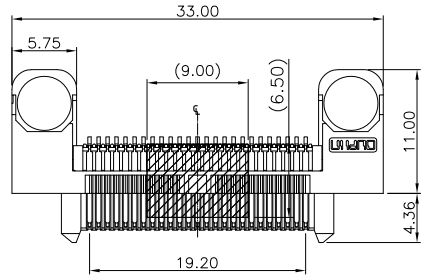


REV.	SPECIFICATION	ECN NO.	APPD.
X1			



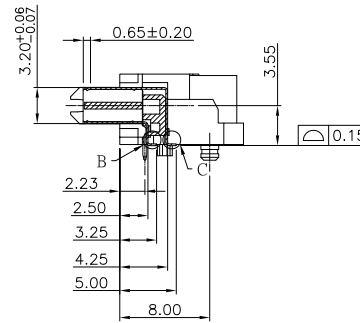
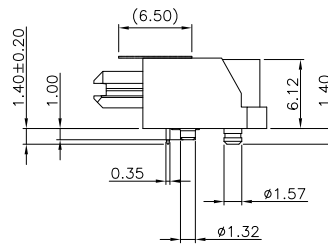
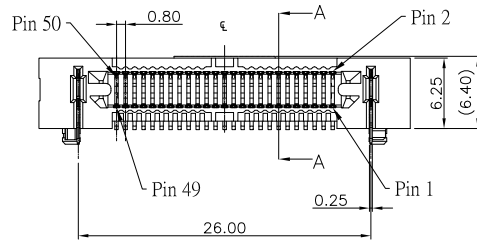
**Material and Plating:**

Housing: LCP, UL94V-0, Black.  
 Contacts: Phosphor Bronze  
 Gold Plated on Contact Area and 80u" Min Tin Plated on Solder Tail over Nickel 50 u" Min.  
 Counterweight: Brass  
 Latches: Brass

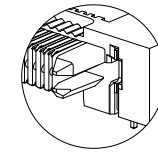
**Electrical Characteristics:**

Current Rating: 1.4 AMP.  
 Dielectric Withstanding Voltage: AC 900V For 1 Minute.  
 Insulation Resistance: 50000MΩ min.  
 Contact Resistance: 25mΩ max.  
 Operating Temperature: -55°C~+125°C.

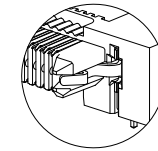
**\*RoHS Compliant**



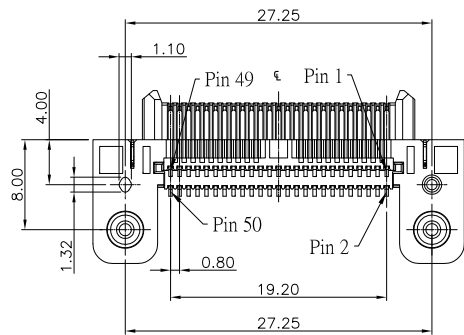
Section A-A



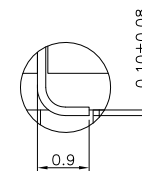
Type lock



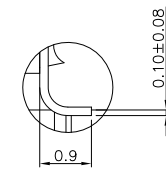
Type1 lock



2386- 1 2 X 25 C 3 D 3 x M L T - S  
 Series  
 1: Male Right Angle  
 Double Row  
 Position Per Row  
 C: Selective Gold Plated  
 D: SMD Type  
 Code3  
 S: Mylar  
 Blank: W/O Mylar  
 T: Tape&Reel Package  
 L: Type lock  
 L1: Type1 lock  
 M: Metal Post  
 Blank: W/O Metal Post  
 Blank: Signal Pin to the Top distance 0.65mm  
 Ground Pin to the Top distance 0.65mm  
 A: Signal Pin to the Top distance 1.35mm  
 Ground Pin to the Top distance 0.65mm



Detail B  
Scale 5:1



Detail C  
Scale 5:1

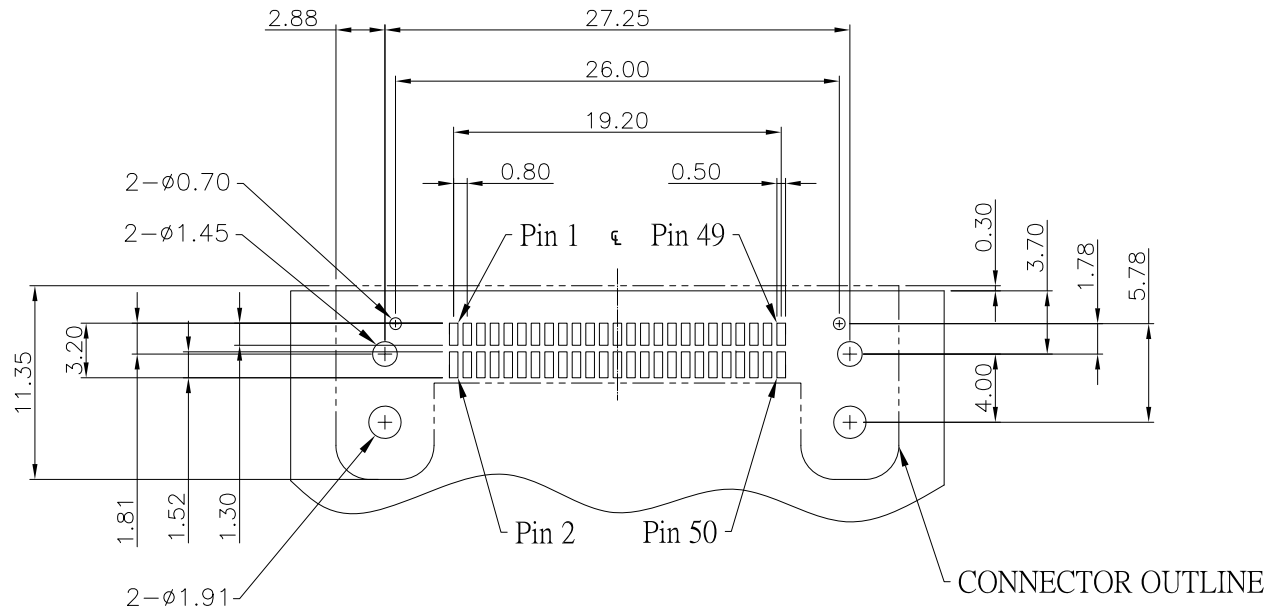
PROPOSAL ONLY

Tolerances	Dwg No.	2386-D0000-016	
x. = ±0.50	Projection	⊕ ⊖	
.x = ±0.25	Unit	mm	Scale 1:1
.xx = ±0.15	Drawn By	WP 02/22'22	

Title:  
2386 Series  
Male Right Angle

<b>OUPIN</b>			
OUPIN ELECTRONIC(KUNSHAN) CO., LTD.			
P/N: 2386-12X25C3D3xMLT-S			
SHEET	1/2	Ver.No.	X1

REV.	SPECIFICATION	ECN NO.	APPD.
X1			



**Recommended PCB Layout**  
(Tolerance :  $\pm 0.05$ )

PROPOSAL ONLY

Tolerances	Dwg No.	2386-D0000-016		Title:
x. = $\pm 0.50$	Projection			2386 Series
.x = $\pm 0.25$	Unit	mm	Scale	1:1
.xx = $\pm 0.15$	Drawn By	WP 02/22'22		Male Right Angle

Title:			
2386 Series			
Male Right Angle			

OUPIIN ELECTRONIC(KUNSHAN) CO., LTD.			
P/N: 2386-12X25C3D3xMLT-S			
SHEET	2/2	Ver.No.	X1