

REV.	SPECIFICATION	ECN NO.	APPD.
X6			

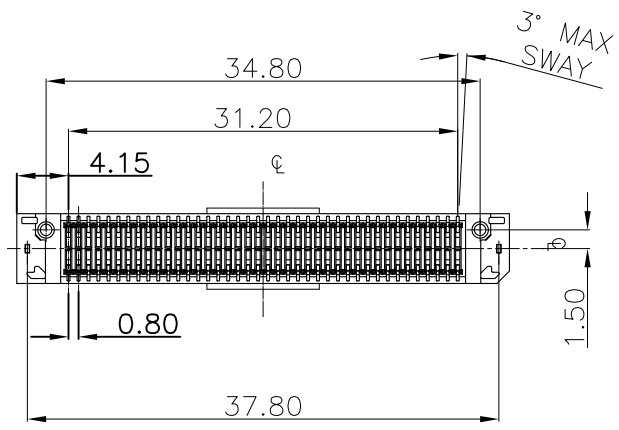
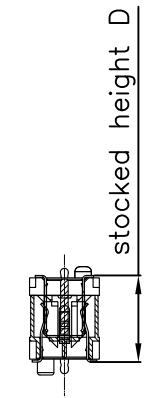
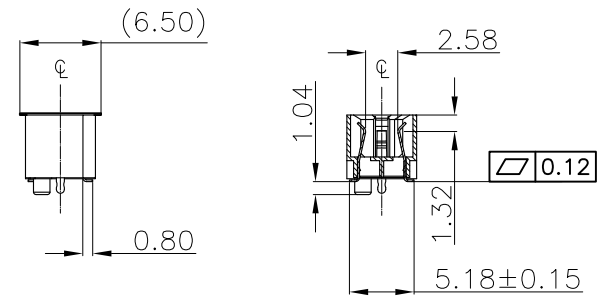
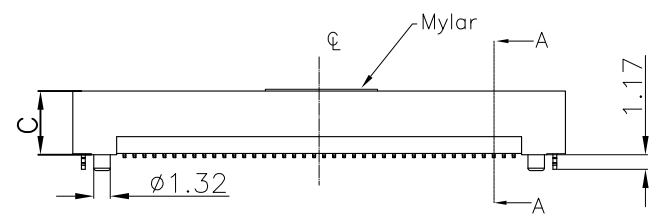
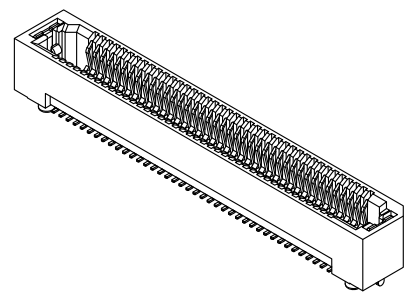
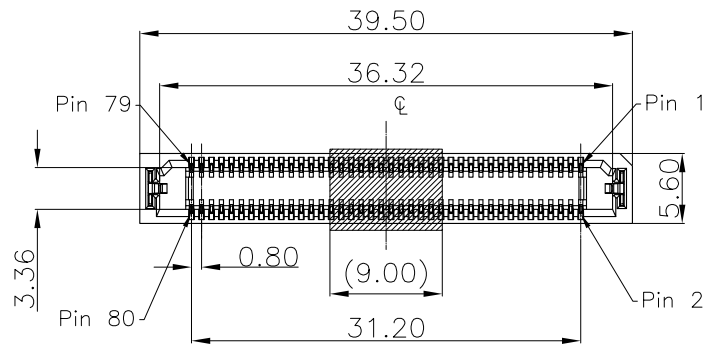
Material and Plating:

Housing: LCP, UL94V-0 , BLACK.
Contact: Nickel Copper .
 Gold Plated on Contact Area and 80u" Min Tin Plated on Solder Tail over Nickel 50u" Min.
Lock: Phosphor Bronze .
 80u" Min Tin Plated over Nickels 50u" Min.

Electrical Characteristics:

Current Rating: 1.5 AMP Per Contact With 1 Contact.
Voltage Rating: 300V AC.
Dielectric Withstanding Voltage: AC 500V For 1 Minute.
Insulator Resistance: 50000 MΩ Min.
Contact Resistance: 25mΩ max .
Operating Temperature: -55°C ~+125°C .

***RoHS Compliant**



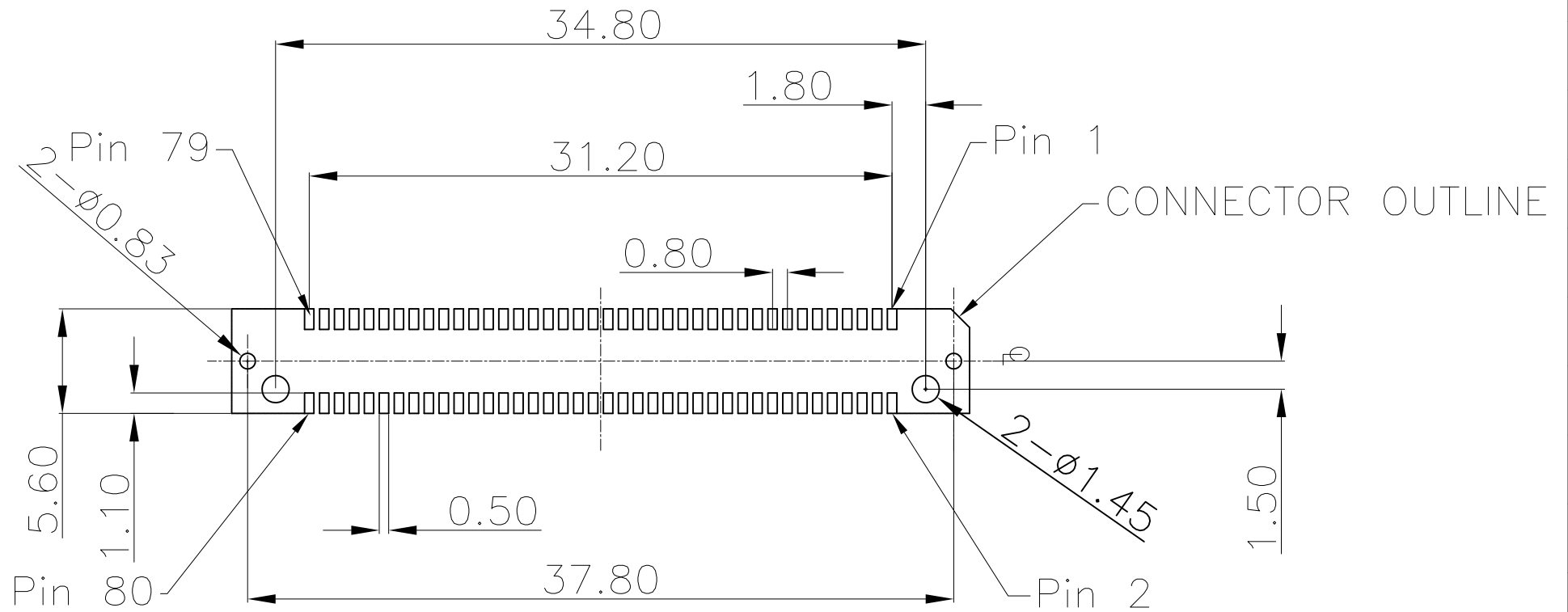
Series 2386- 2 2 X 40 C 3 D 1 L T - S
 2:Female Straight
 Double Row
 Position Per Row
 C: Selective Gold Plated
 3: 10μ"
 7: 30μ"
 D:SMD Type
 S: Mylar
 Blank: Without Mylar
 T: Tape&Reel Package
 L: With lock
 1:Code1
 2:Code2
 3:Code3
 4:Code4

**"Available Code																
Code	*1	2	3	4												
Height C	5.10	7.00	9.10	10.10												
Stacked Height D	7.0	10.0	13.0	14.0	9.0	12.0	15.0	16.0	11.0	14.0	17.0	18.0	12.0	15.0	18.0	19.0

Tolerances	Dwg. No.	2386-D0000-006	Title:	
x = ±0.5	Projection		2386 Series	
.x = ±0.25	Unit	mm	Scale	1:1
.xx = ±0.15	Drawn By	WP 08/08'19	Female Straight	

OUPIN
OUPIN ELECTRONIC(KUNSHAN) CO., LTD.
 P/N: 2386-22x40C3D1LT-S
 SHEET 1/2 Ver.No. X6

REV.	SPECIFICATION	ECN NO.	APPD.
X6			



Recommended PCB Layout
(Tolerance : ± 0.05)

Tolerances x = ± 0.5 .x = ± 0.25 .xx = ± 0.15	Dwg. No.	2386-D0000-006		Title: 2386 Series Female Straight	 OUPIIN ELECTRONIC(KUNSHAN) CO., LTD.				
	Projection				P/N: 2386-22x40C3D1LT-S				
	Unit	<i>mm</i>	Scale		1:1	SHEET 2/2 Ver.No. X6			
	Drawn By	WP 08/08'19							