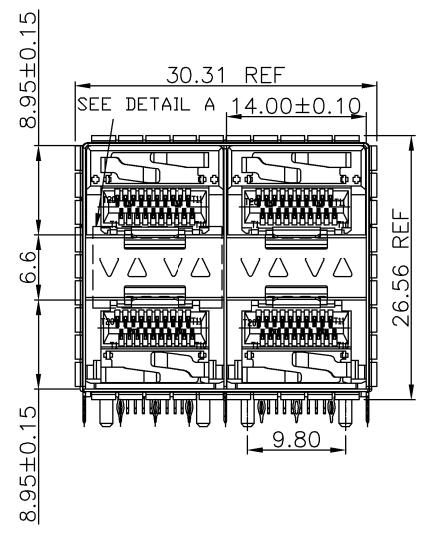
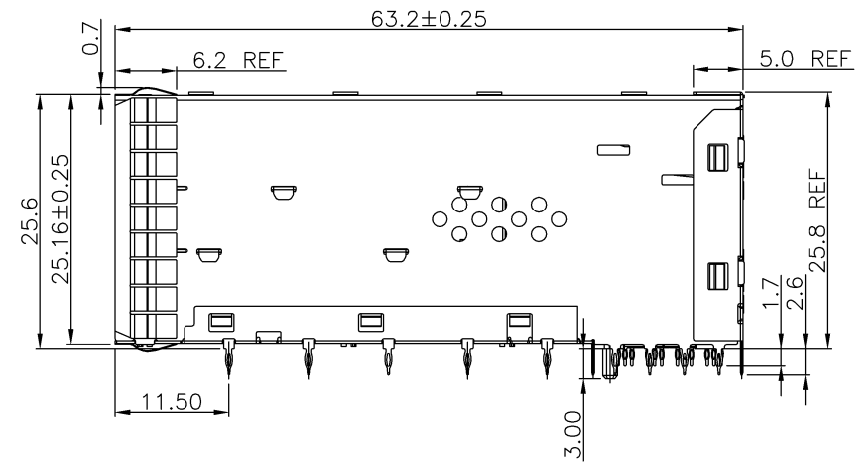
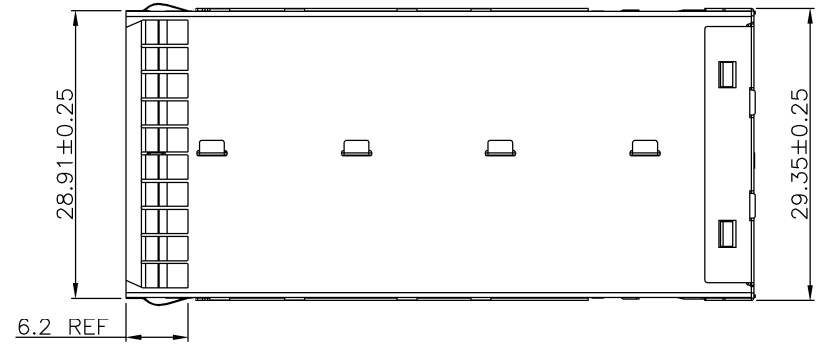


REV.	SPECIFICATION	ECN NO.	APPD.

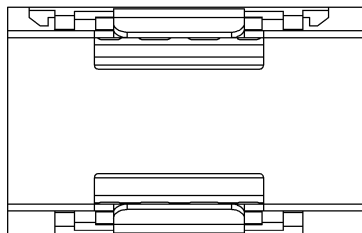
Material:
Housing: LCP, UL94V-0, Black.
Contacts: Phosphor Bronze, Gold Plated on Contact Area and 20u" Matte Tin Plated on Press fit over Nickel.
Cage: Copper Alloy.
Light Pipes: Polycarbonate, UL94V-0, Clear.
Light Pipe Housing: PBT, UL94V-0, Black.
EMI Clip: Copper Alloy.
***RoHS Compliant**



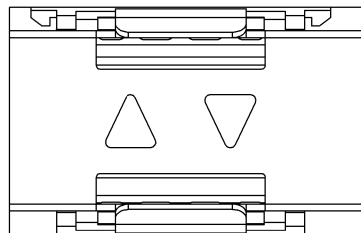
8957-E 2X2 C 30 P P x A
 Series — 8957-E
 2X2 Port — 2X2
 C: Selective Gold Plated — C
 30:30u" — 30
 P: Press fit — P
 P: Spring Plus — P
 x — x
 A — A: Tray Package
 0: Without Light Pipes
 1: With Inner Light Pipes
 2: With Outer Light Pipes
 3: With Inner & Outer Light Pipes
 7: With Outer Light Pipes Reverse

Tolerances	Dwg. No.	S3220221128-02	Title:		 OUPIN ELECTRONIC(KUNSHAN) CO., LTD. P/N: 8957-E2X2C30PPxA SHEET 1/4 Ver.No. X1
.x = ±0.25	Projection		8957-E Series		
.xx = ±0.13	Unit	mm	Scale	1:N	
.xxx = ±0.10	Drawn By	Martin 11/28'22	SFP28 Cage Press Fit With Connector		
			① 619		

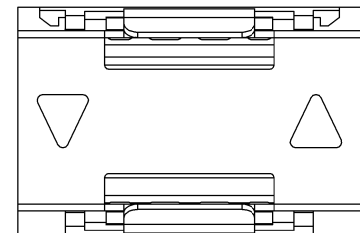
REV.	SPECIFICATION	ECN NO.	APPD.



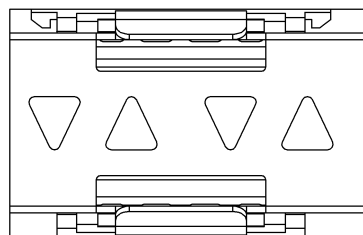
Without Light Pipes



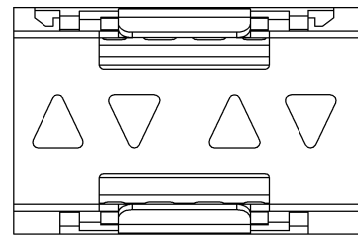
With Inner Light Pipes



With Outer Light Pipes



With Inner & Outer Light Pipes



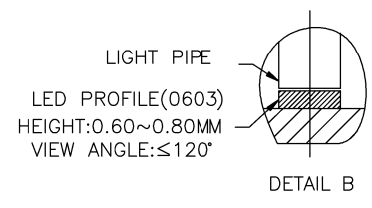
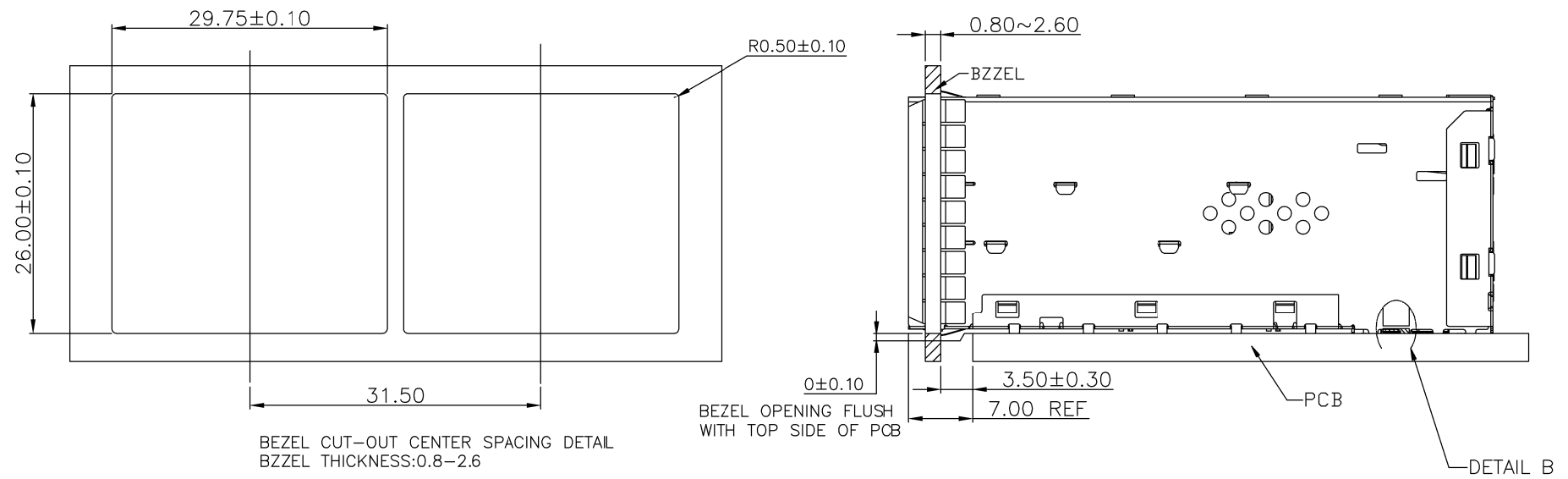
With Inner & Outer Light Pipes
Reverse


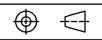
Tolerances	Dwg. No.	S3220221128-02	
.x = ±0.25	Projection		
.xx = ±0.13	Unit	mm	Scale 1:N
.xxx = ±0.10	Drawn By	Martin 11/28'22	

Title:
 8957-E Series
 SFP28 Cage
 Press Fit With Connector
 Ⓞ 619

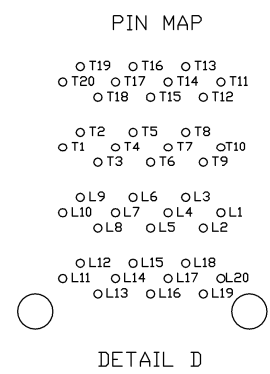
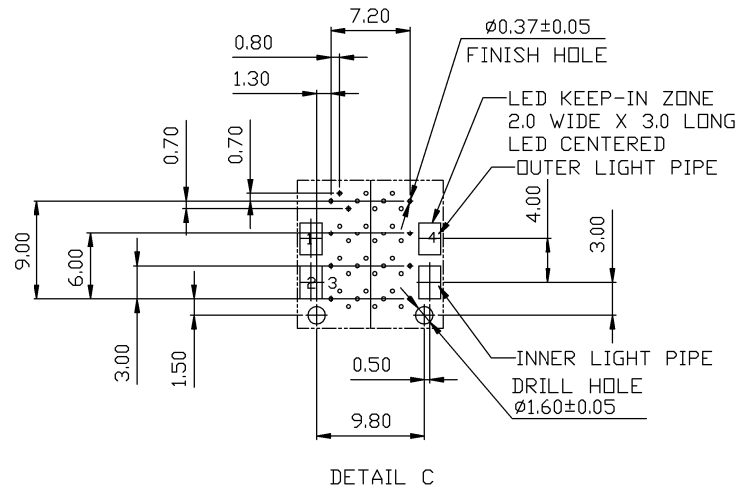
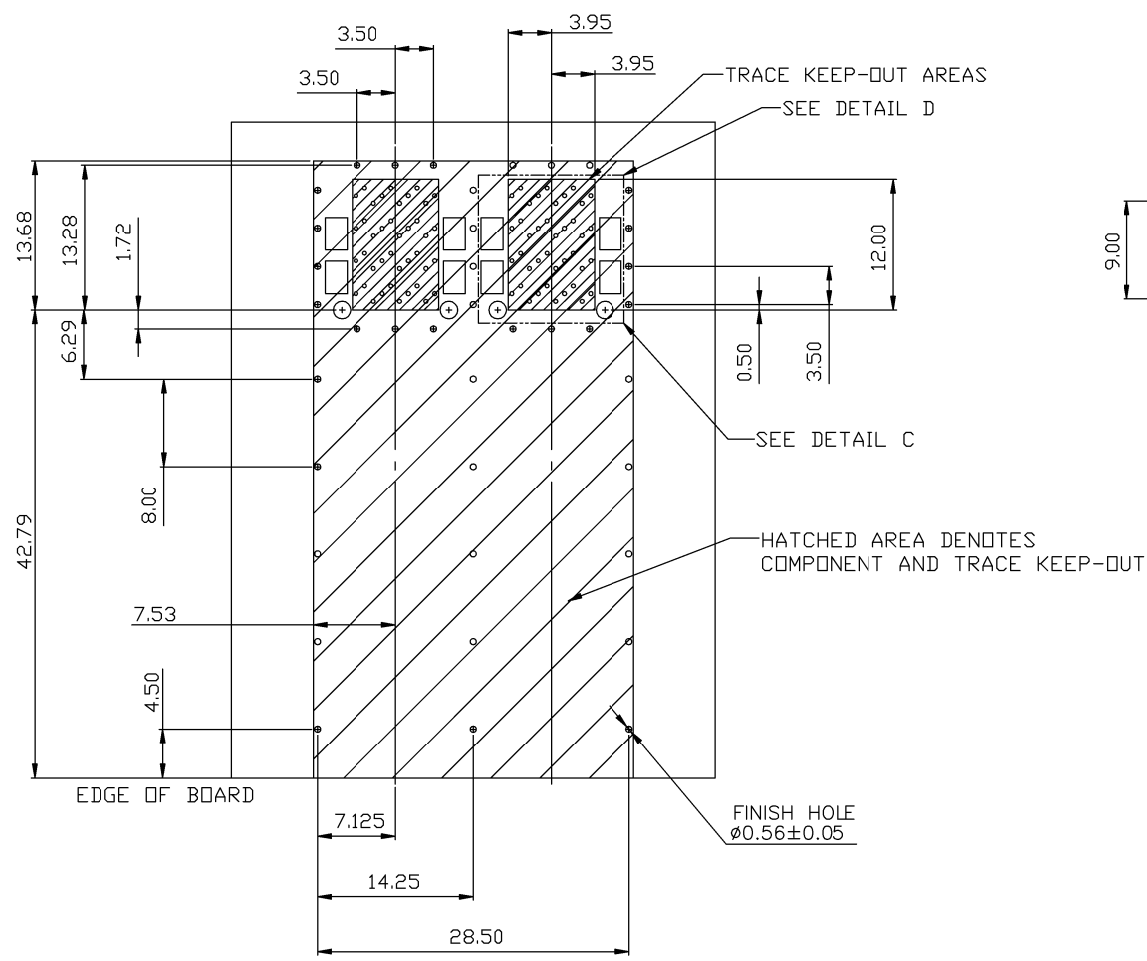
OUPIIN ELECTRONIC(KUNSHAN) CO., LTD.			
P/N: 8957-E2X2C30PPxA			
SHEET	2/4	Ver.No.	X1


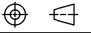
REV.	SPECIFICATION	ECN NO.	APPD.



Tolerances	Dwg. No.	S3220221128-02		Title:		 OUPIIN ELECTRONIC(KUNSHAN) CO., LTD. P/N: 8957-E2X2C30PPxA		
.x = ±0.25	Projection			8957-E Series				
.xx = ±0.13	Unit	mm	Scale	SFP28 Cage				
.xxx = ±0.10	Drawn By	Martin	11/28'22	Press Fit With Connector				
				① 619	SHEET	3/4	Ver.No.	X1

REV.	SPECIFICATION	ECN NO.	APPD.



Tolerances	Dwg. No.	S3220221128-02	Title:		 OUPIN ELECTRONIC(KUNSHAN) CO., LTD. P/N: 8957-E2X2C30PPxA SHEET 4/4 Ver.No. X1
.x = ±0.25	Projection		8957-E Series		
.xx = ±0.13	Unit	mm	Scale	1:N	
.xxx = ±0.10	Drawn By	Martin 11/28'22	SFP28 Cage Press Fit With Connector		
			① 619		