

REV.	SPECIFICATION	ECN NO.	APPD.

Material:

Housing: LCP, UL94V-0, Black.

Contacts: Phosphor Bronze, Gold Plated on Contact Area and 100u" Tin Plated on Solder tail over Nickel 50u".

Electrical Characteristics:

Current Rating: 0.5 AMP.

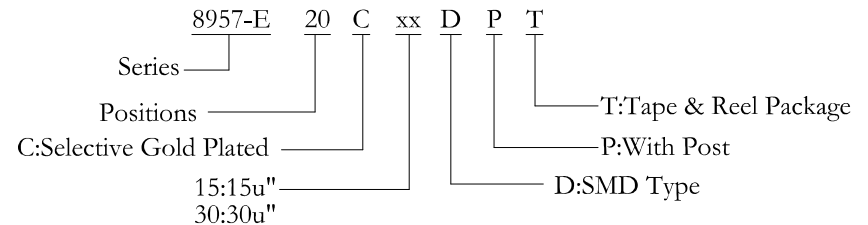
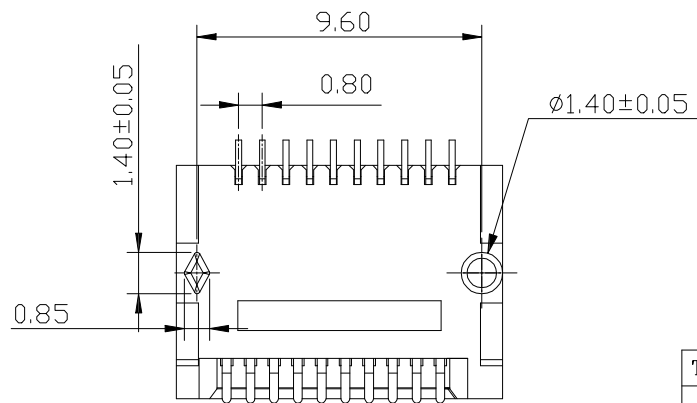
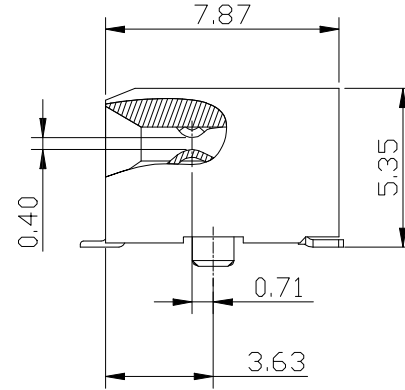
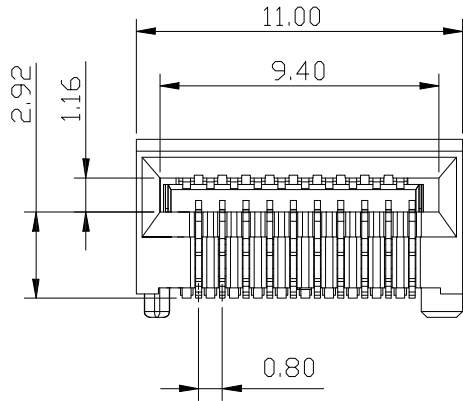
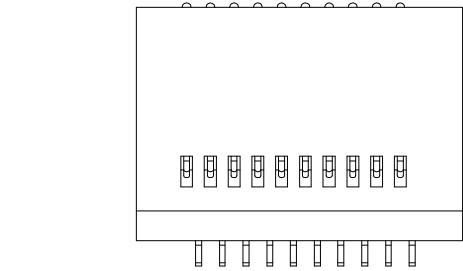
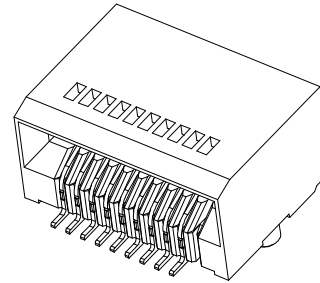
Dielectric Withstanding Voltage: AC 300V.

Insulation Resistance: 1000MΩ min.

Contact Resistance: 30mΩ max.

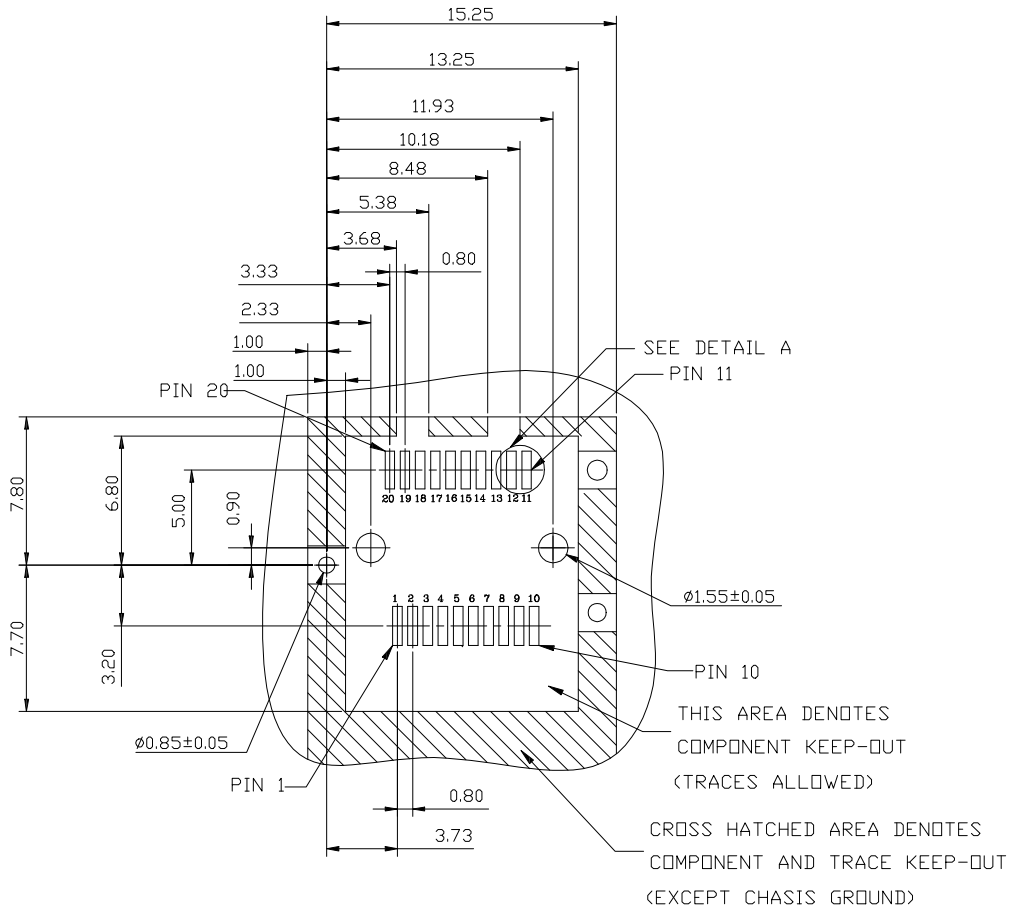
Operating Temperature: -40°C~+85°C.

***RoHS Compliant**

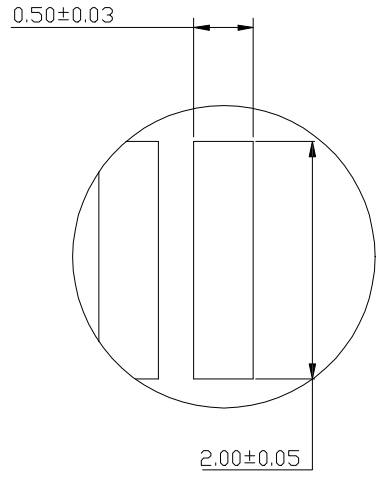


Tolerances .x = ±0.30 .xx = ±0.25 .xxx = ±0.15	Dwg. No.	8957D02001		Title:		 OUPIIN ELECTRONIC(KUNSHAN) CO., LTD. P/N: 8957-E20CxxDPT			
	Projection			8957-E Series					
	Unit	mm	Scale	1:N		SFP28 Connector			
	Drawn By	Martin 12/16'22		619		SHEET	1/2	Ver.No.	A2

REV.	SPECIFICATION	ECN NO.	APPD.



PCB LAYOUT



DETAIL A

Tolerances .x = ±0.30 .xx = ±0.25 .xxx = ±0.15	Dwg. No. 8957D02001		Title: 8957-E Series		 OUPIIN ELECTRONIC(KUNSHAN) CO., LTD.
	Projection		Scale 1:N		
	Unit mm	Scale 1:N	SFP28 Connector		SHEET 2/2
	Drawn By Martin 12/16'22	① 619	Ver.No.	A2	