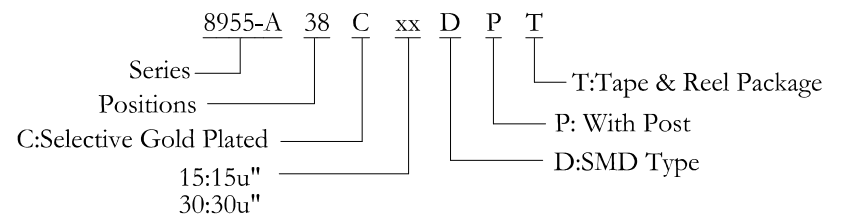
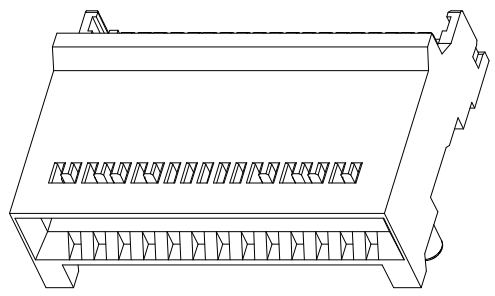
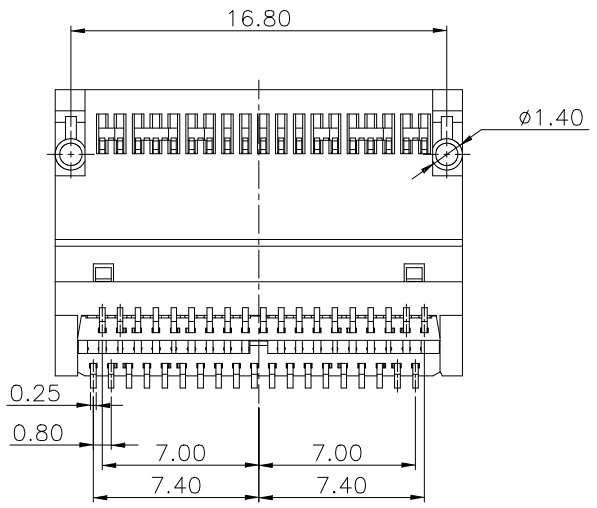
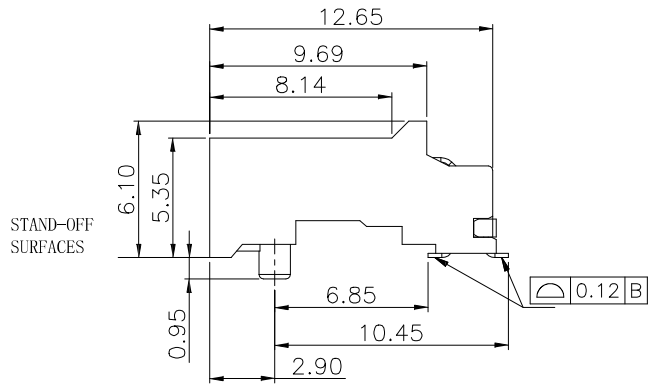
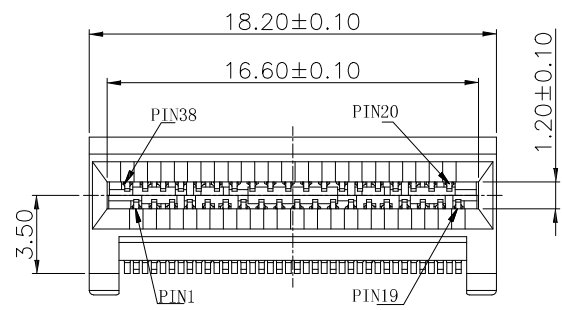


REV.	SPECIFICATION	ECN NO.	APPD.

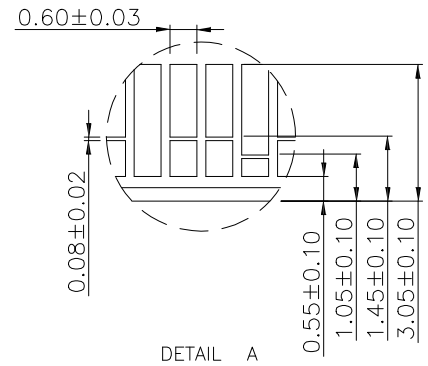
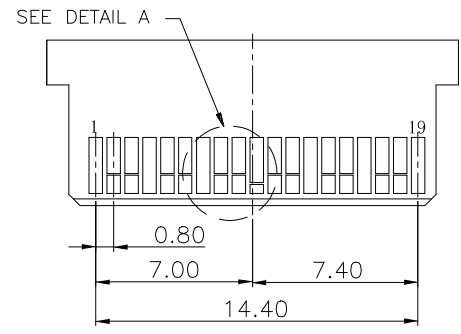
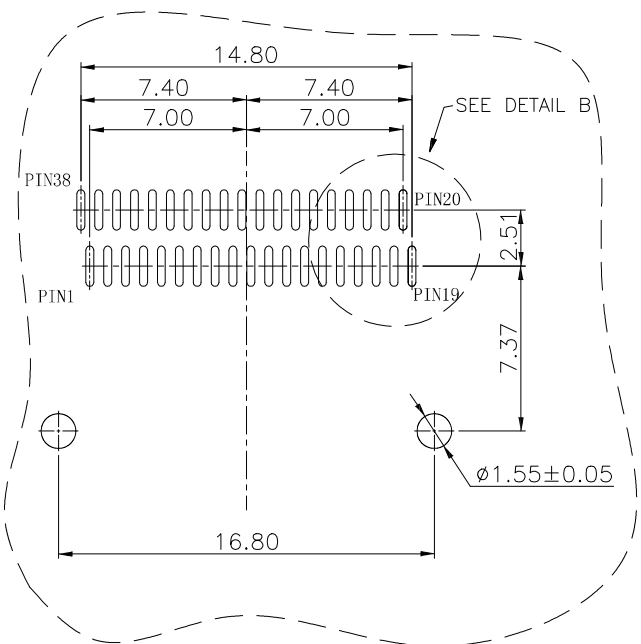
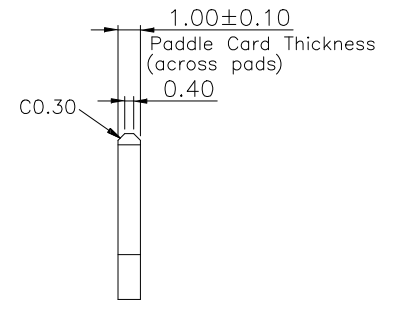
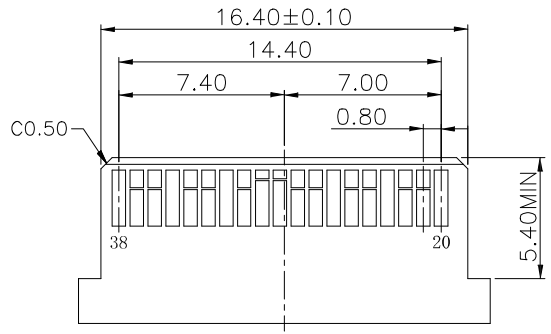
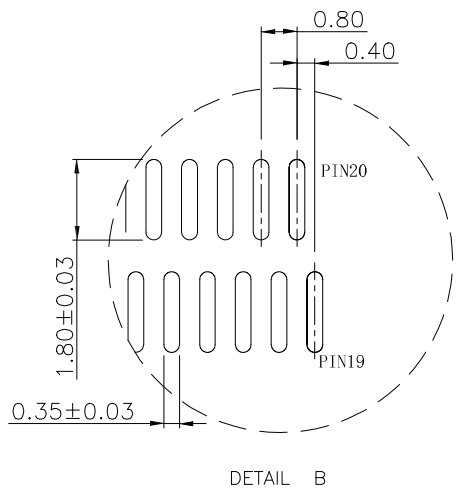
Material:
Housing: LCP, UL94V-0, Black.
Contacts: C7025, Gold Plated on Contact Area and 150u" Tin Plated on Solder Tail over Nickel 50u".

Electrical Characteristics:
Current Rating: 0.5 AMP.
Dielectric Withstanding Voltage: AC 300V.
Insulation Resistance: 1000MΩ min.
Contact Resistance: 30mΩ max.
Operating Temperature: -40°C~+85°C.
***RoHS Compliant**


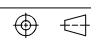


Tolerances .x = ±0.30 .xx = ±0.25 .xxx = ±0.15	Dwg. No. 8955D02002		Title:		 OUPIN ELECTRONIC(KUNSHAN) CO., LTD. P/N: 8955-A38CxxDPT
	Projection		8955-A Series		
	Unit	mm	Scale	1:N	
Drawn By	Martin 07/07'23		① 665	QSFP28 Connector SHEET 1/2 Ver.No. A1	

REV.	SPECIFICATION	ECN NO.	APPD.



PCB LAYOUT
TOLERANCE ±0.05

Tolerances .x = ±0.30 .xx = ±0.25 .xxx = ±0.15	Dwg. No.	8955D02002		Title: 8955-A Series QSF28 Connector 665	 OUPIIN ELECTRONIC(KUNSHAN) CO., LTD. P/N: 8955-A38CxxDPT		
	Projection						
	Unit	mm	Scale			1:N	
	Drawn By	Martin 07/07'23					
SHEET					2/2	Ver.No.	A1