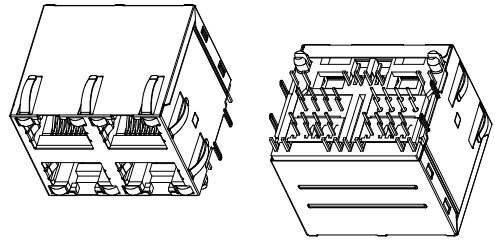
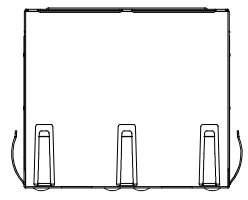
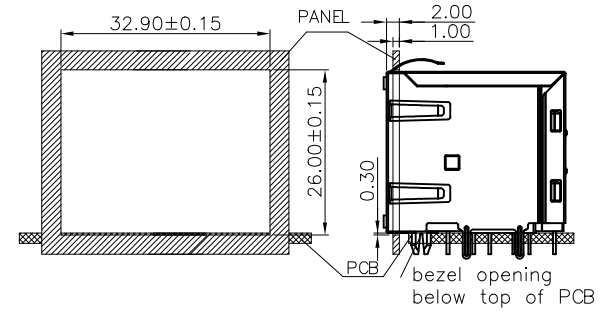
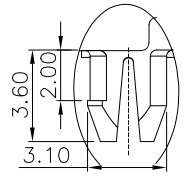
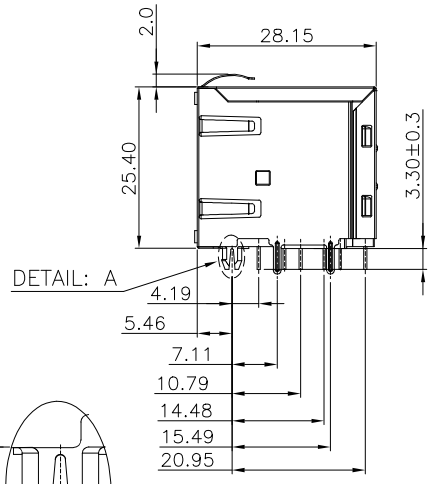
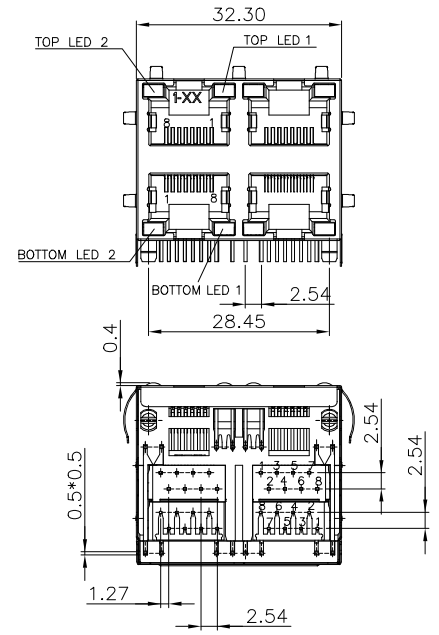


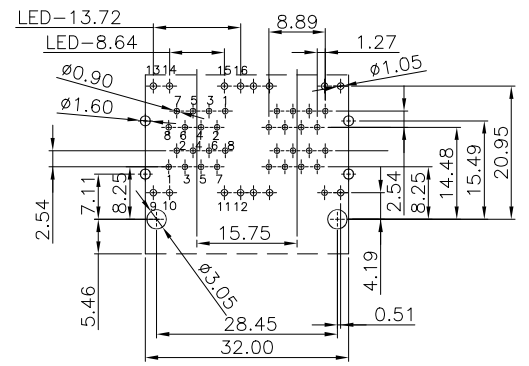
REV.	SPECIFICATION	ECN NO.	APPD.



Material:
Housing: PA46, UL94V-0.
Insert: PBT, UL94V-0.
Contacts: Phosphor Bronze, Gold Plated on Contact Area and 80u" Tin Plated on Solder Tail over Nickel 50u".
Shield: Brass, 30u" Nickel Plated.
Electrical Characteristics:
Current Rating: 1.5A.
Dielectric Withstanding Voltage: AC 1000V.
Insulation Resistance: 500MΩ min.
Contact Resistance: 20mΩ max.
Operating Temperature: -40°C~+70°C.
***RoHS Compliant**

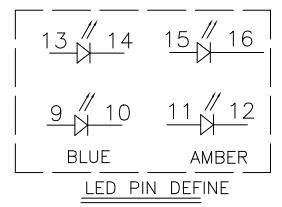


Recommend panel cutout



RECOMMENDED P.C.B LAYOUT
(COMPONENT SIDE TOLERANCE±0.05)

8949-AID3 8 8 4 C xx S 1 AC B A -HF
 Series ———
 8:8 Positions ———
 8:8 contacts ———
 4:4 Port ———
 C:Selective Gold Plated ———
 00:Gold Flash ———
 30:30u" ———
 S: Shield ———
 1:With Grounding ———
 AC: LED 1: Amber, LED 2 :Blue ———
 B:Black ———
 A:Tray Package ———
 HF:Halogen Free ———



Tolerances	Dwg. No.	S6320241014-04		Title:	8949-AID3 Series
.x = ±0.35	Projection	⊕ ⊖			RJ45 Stacked Modular Jack 2X2
.xx = ±0.25	Unit	mm	Scale	1:N	With LED Right Angle Type
.xxx = ±0.15	Drawn By	Martin 10/14'24		① 665	

Title: 8949-AID3 Series
 RJ45 Stacked Modular Jack 2X2
 With LED Right Angle Type
 ① 665

OUPIN			
OUPIN ELECTRONIC(KUNSHAN) CO., LTD.			
P/N:8949-AID3884CxxS1ACBA-HF			
SHEET	1/1	Ver.No.	X1