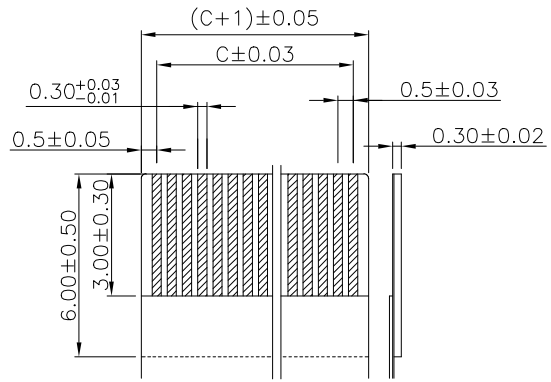
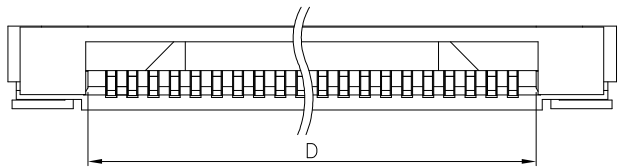
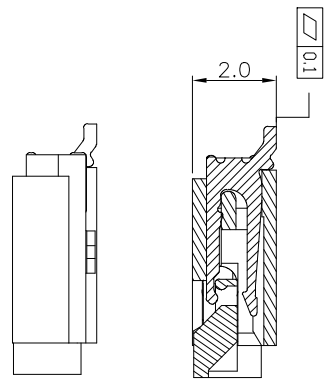
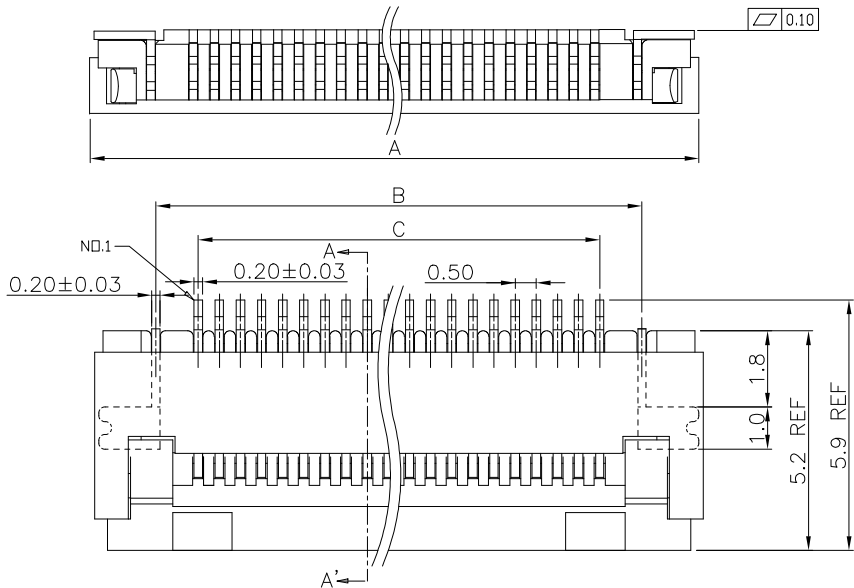


REV.	SPECIFICATION	ECN NO.	APPD.

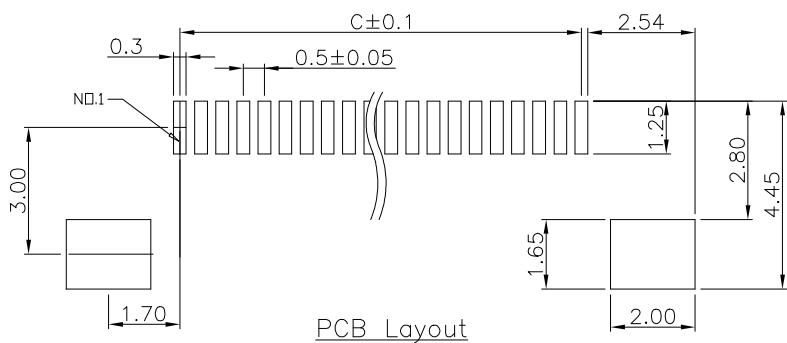
Material:
Housing: LCP, UL94V-0, Beige.
Cover: LCP, UL94V-0, Black.
Contacts: Phosphor Bronze, Gold Plated or Matte Tin Plated over Nickel 50u".
Solder Tab: Brass, 100u" Tin Plated over Nickel 50u".
Electrical Characteristics:
Current Rating: 0.5A.
Dielectric Withstanding Voltage: AC 200V.
Insulation Resistance: 500MΩ min.
Contact Resistance: 30mΩ max.
Operating Temperature: -25°C~+85°C.
***RoHS Compliant**

Series: 2537-N
 Positions: xx
 Plating: MT (Matte Tin Plated), G00 (Gold Flash Plated)
 SMD Type: D
 Thickness: B (0.3mm)
 Package: T (Tape & Reel Package)



Recommended FFC/FFC Dimension

** Available Dimension										
Positions	A	B	C	D	Positions	A	B	C	D	
* 04	6.40	3.50	1.50	2.60	* 33	20.90	18.00	16.00	17.10	
* 05	6.90	4.00	2.00	3.10	* 34	21.40	18.50	16.50	17.60	
* 06	7.40	4.50	2.50	3.60	* 35	21.90	19.00	17.00	18.10	
* 07	7.90	5.00	3.00	4.10	* 36	22.40	19.50	17.50	18.60	
* 08	8.40	5.50	3.50	4.60	* 37	22.90	20.00	18.00	19.10	
* 09	8.90	6.00	4.00	5.10	* 38	23.40	20.50	18.50	19.60	
* 10	9.40	6.50	4.50	5.60	* 39	23.90	21.00	19.00	20.10	
* 11	9.90	7.00	5.00	6.10	* 40	24.40	21.50	19.50	20.60	
* 12	10.40	7.50	5.50	6.60	* 41	24.90	22.00	20.00	21.10	
* 13	10.90	8.00	6.00	7.10	* 42	25.40	22.50	20.50	21.60	
* 14	11.40	8.50	6.50	7.60	* 43	25.90	23.00	21.00	22.10	
* 15	11.90	9.00	7.00	8.10	* 44	26.40	23.50	21.50	22.60	
* 16	12.40	9.50	7.50	8.60	* 45	26.90	24.00	22.00	23.10	
* 17	12.90	10.00	8.00	9.10	* 46	27.40	24.50	22.50	23.60	
* 18	13.40	10.50	8.50	9.60	* 47	27.90	25.00	23.00	24.10	
* 19	13.90	11.00	9.00	10.10	* 48	28.40	25.50	23.50	24.60	
* 20	14.40	11.50	9.50	10.60	* 49	28.90	26.00	24.00	25.10	
* 21	14.90	12.00	10.00	11.10	* 50	29.40	26.50	24.50	25.60	
* 22	15.40	12.50	10.50	11.60	* 51	29.90	27.00	25.00	26.10	
* 23	15.90	13.00	11.00	12.10	* 52	30.40	27.50	25.50	26.60	
* 24	16.40	13.50	11.50	12.60	* 53	30.90	28.00	26.00	27.10	
* 25	16.90	14.00	12.00	13.10	* 54	31.40	28.50	26.50	27.60	
* 26	17.40	14.50	12.50	13.60	* 55	31.90	29.00	27.00	28.10	
* 27	17.90	15.00	13.00	14.10	* 56	32.40	29.50	27.50	28.60	
* 28	18.40	15.50	13.50	14.60	* 57	32.90	30.00	28.00	29.10	
* 29	18.90	16.00	14.00	15.10	* 58	33.40	30.50	28.50	29.60	
* 30	19.40	16.50	14.50	15.60	* 59	33.90	31.00	29.00	30.10	
* 31	19.90	17.00	15.00	16.10	* 60	34.40	31.50	29.50	30.60	
* 32	20.40	17.50	15.50	16.60						



PCB Layout

Tolerances	Dwg. No.	2537D02006		Title:	2537-N Series	
.x = ±0.30	Projection	⊕ ⊖		FFC/FPC Connector 0.5mm		
.xx = ±0.20	Unit	mm	Scale	Flip Lock Type		
.xxx = ±0.10	Drawn By	Martin 04/16'24		SHEET 1/1 Ver.No. A1		

676

OUPIN
 OUPIN ELECTRONIC(KUNSHAN) CO., LTD.
 P/N: 2537-NxxMTDBT