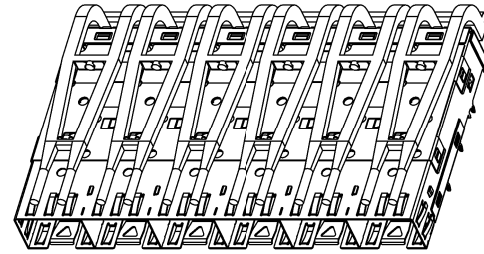
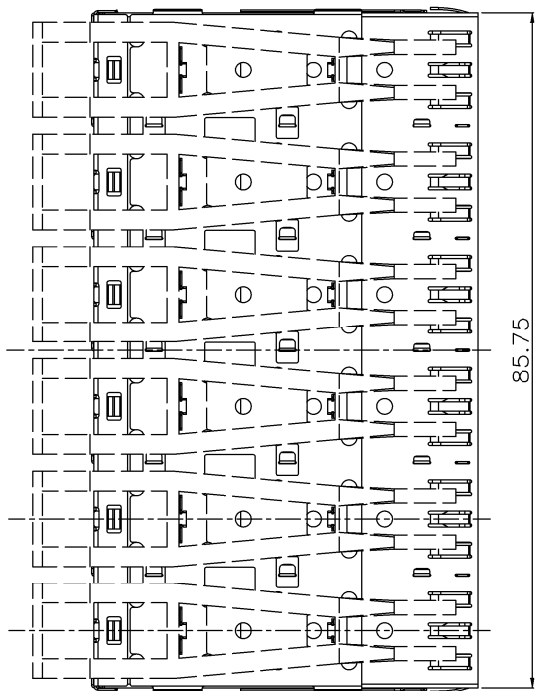
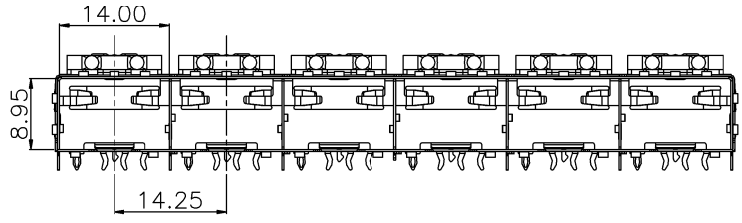
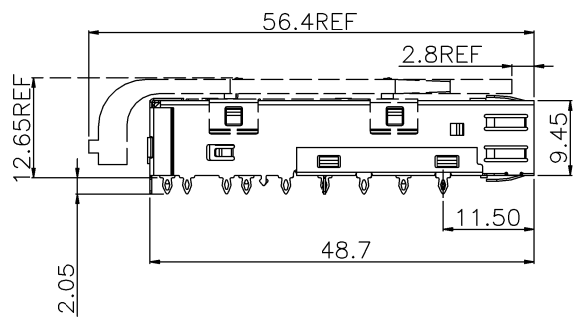



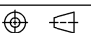
REV.	SPECIFICATION	ECN NO.	APPD.

Material:
Cage: Cu-Ni Alloy, Nickel Plated 20~50u".
Light Pipe: Polycarbonate, Clear.
Clip: Stainless Steel.
***RoHS Compliant**

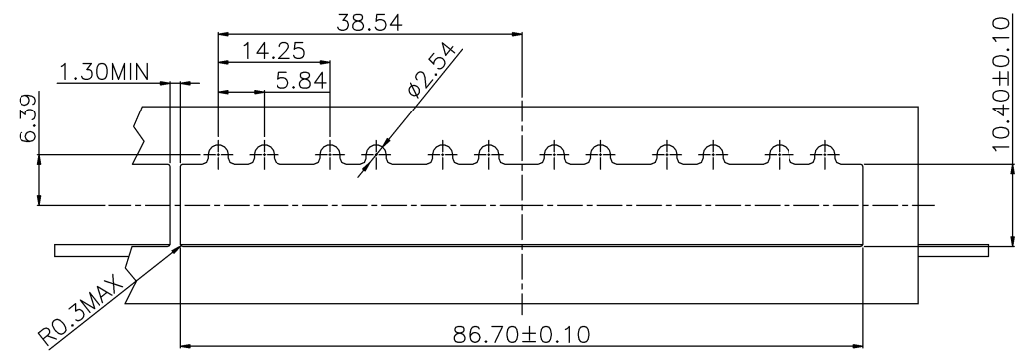


8951-A 6 P S x A
 Series ———
 6:6 Port ———
 P:Press Fit ———
 A:Tray Package
 0:Without Light Pipe
 1:With Light Pipe
 S:Spring

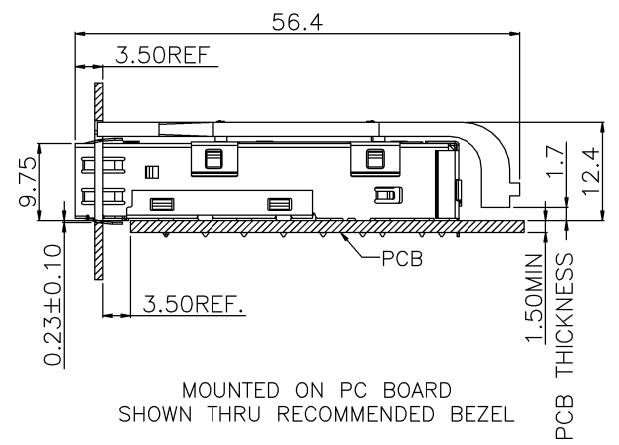


Tolerances	Dwg. No.	S0320220325-02		Title:		 DUPIN ELECTRONIC(KUNSHAN) CO., LTD. P/N:8951-A6PSxA
.x = ±0.35	Projection			8951-A Series		
.xx = ±0.25	Unit	mm	Scale	SFP Cage		
.xxx = ±0.15	Drawn By	Martin	09/22'22	Press Fit Type With Spring		
				① 665	SHEET 1/3 Ver.No. X2	

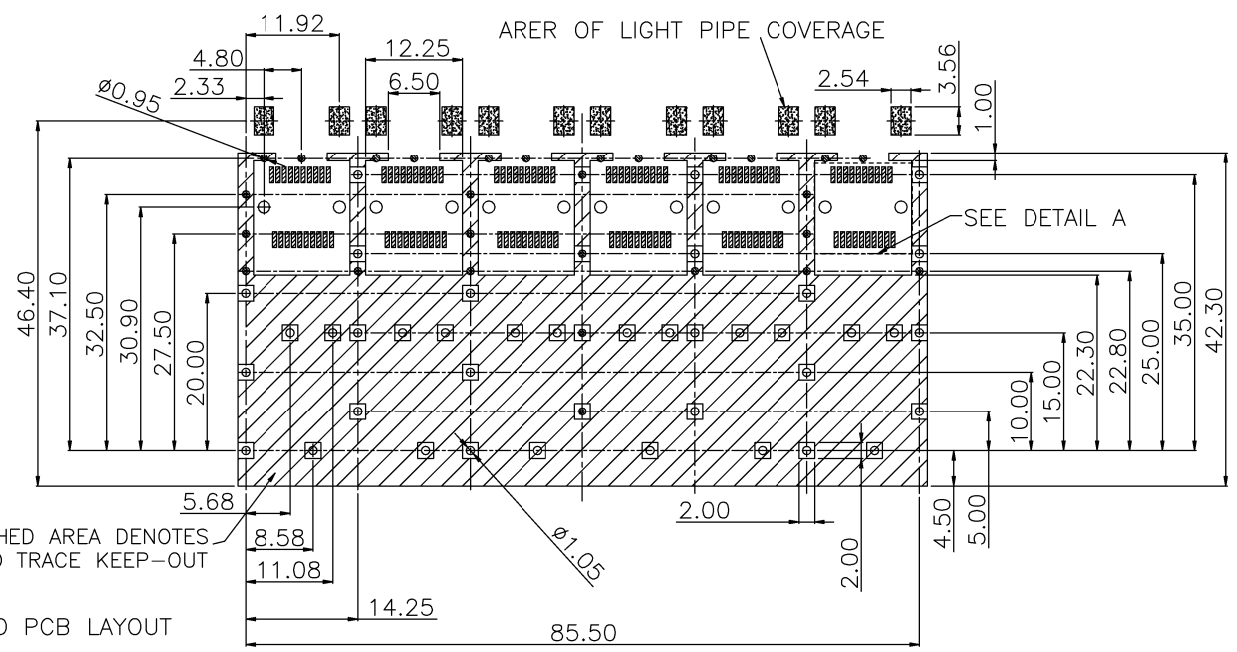
REV.	SPECIFICATION	ECN NO.	APPD.
------	---------------	---------	-------



RECOMMENDED BEZEL CUT-OUT SINGLE SIDE APPLICATIONS
THICKNESS 0.8-2.6



MOUNTED ON PC BOARD
SHOWN THRU RECOMMENDED BEZEL



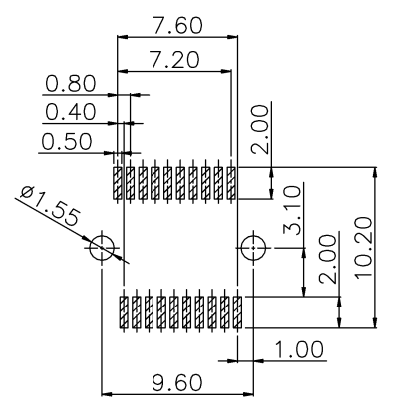
CROSS-HATCHED AREA DENOTES
COMPONENT AND TRACE KEEP-OUT

RECOMMENDED PCB LAYOUT

RECOMMENDED MINIMUM PCB THICKNESS: 1.50mm
(ALL TOLERANCES ARE ±0.05)

“□ ■ ●” ROUND HOLES ARE ALL THROUGH HOLES

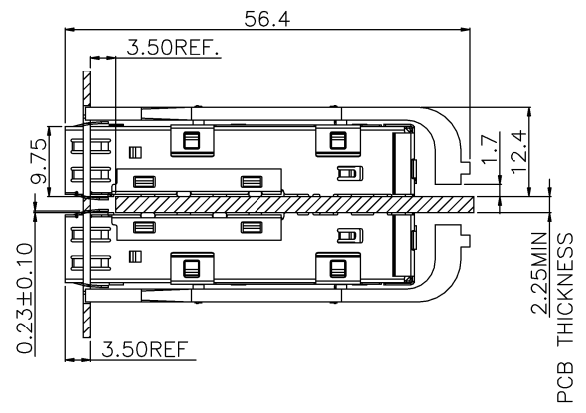
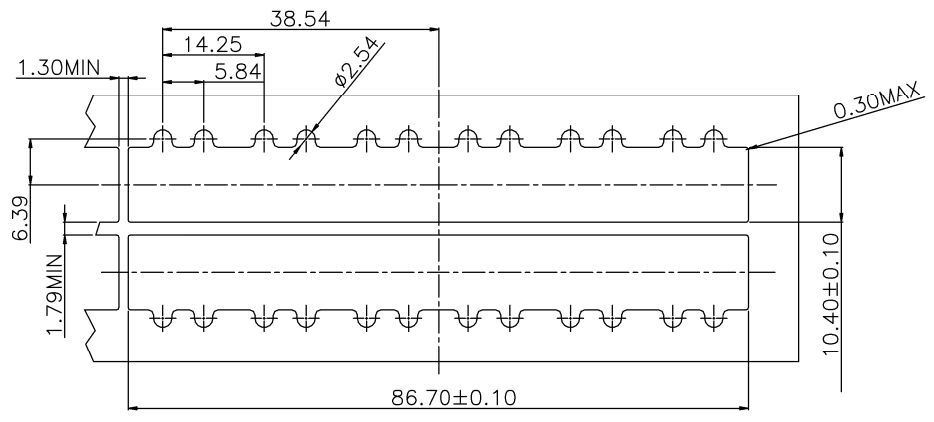
RECOMMENDED PCB CONFIGURATION WITH KEEP-OUT
AREAS SINGLE SIDED APPLICATIONS



DETAIL A

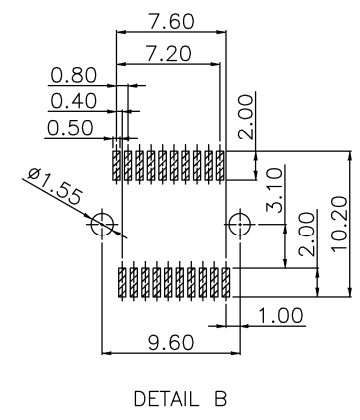
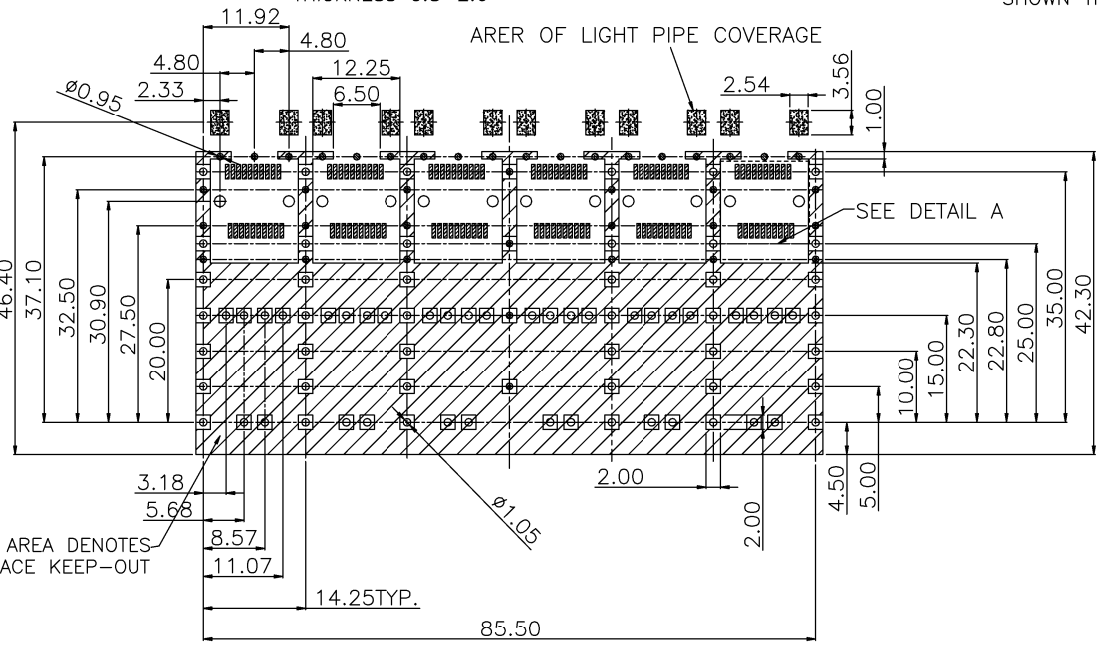
Tolerances .x = ±0.35 .xx = ±0.25 .xxx = ±0.15	Dwg. No.	S0320220325-02		Title: 8951-A Series SFP Cage Press Fit Type With Spring ① 665	 DUPIN ELECTRONIC(KUNSHAN) CO., LTD. P/N: 8951-A6PSxA	
	Projection					
	Unit	mm	Scale			1:N
	Drawn By	Martin 09/22'22				SHEET

REV.	SPECIFICATION	ECN NO.	APPD.
------	---------------	---------	-------



RECOMMENDED BEZEL CUT-OUT BELLY TO BELLY APPLICATIONS
THICKNESS 0.8-2.6

MOUNTED ON PC BOARD
SHOWN THRU RECOMMENDED BEZEL



RECOMMENDED PCB LAYOUT

RECOMMENDED MINIMUM PCB THICKNESS: 2.25mm
(ALL TOLERANCES ARE ±0.05)

☐ □ ● ROUND HOLES ARE ALL THROUGH HOLES

RECOMMENDED PCB CONFIGURATION WITH
KEEP-OUT AREAS BELLY TO BELLY APPLICATIONS

Tolerances	Dwg. No.	S0320220325-02		Title:	
.x = ±0.35	Projection			8951-A Series SFP Cage Press Fit Type With Spring 665	
.xx = ±0.25	Unit	mm	Scale		1:N
.xxx = ±0.15	Drawn By	Martin 09/22'22			

8951-A Series
SFP Cage
Press Fit Type With Spring
665

OUPIN ELECTRONIC(KUNSHAN) CO., LTD.			
P/N: 8951-A6PSxA			
SHEET	3/3	Ver.No.	X2