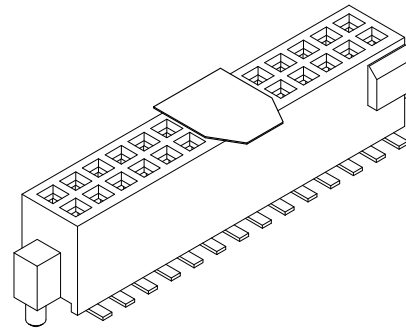
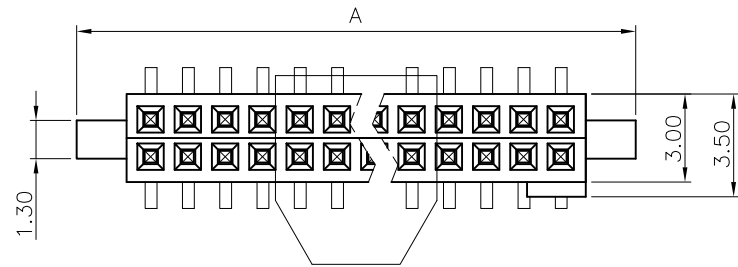


REV.	SPECIFICATION	ECN NO.	APPD.
R4		ECN220843	



**Material and Plating:**

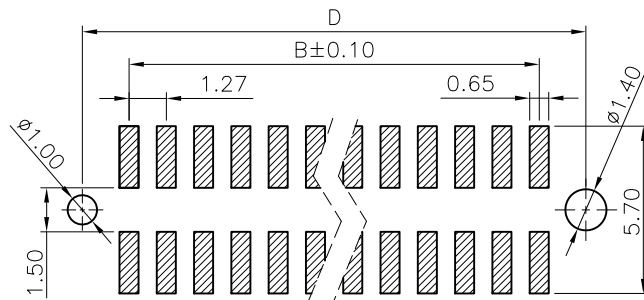
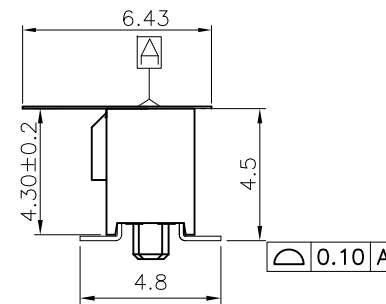
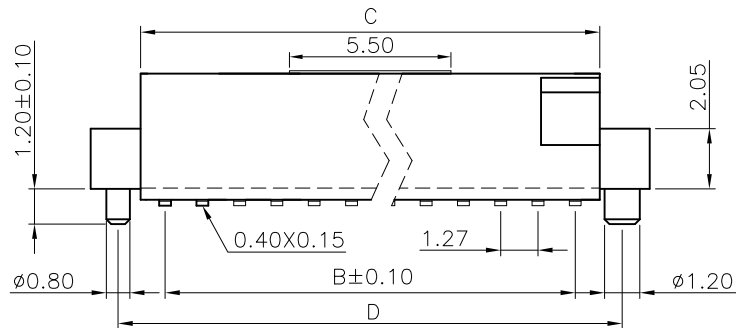
Housing: LCP, UL94V-0, Black.  
 Contacts: Phosphor Bronze.  
 Gold Plated on Contact Area and 80u" Min Tin Plated or Gold Flash on Solder Tail over Nickel 50u" Min.

**Electrical Characteristics:**

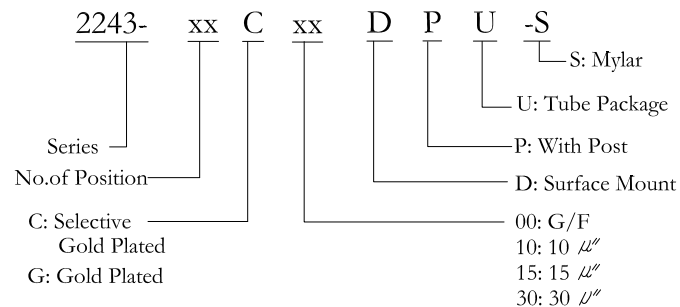
Current Rating: 1 AMP.  
 Dielectric Withstanding Voltage: AC 500V For 1 minute.  
 Insulator Resistance: 1000MΩ min. at DC 500V.  
 Contact Resistance: 20mΩ max. at DC 100mA.  
 Operating Temperature: -65°C ~ +125°C.

**\*RoHS Compliant**

Insertion Depth: 1.90mm to 2.90mm



P.C.Board Layout  
 (Tolerance: ±0.05mm)



Position	10 Thru 100
Dimension	
A	1.27 X No. of Positions/2 +3.78
B	1.27 X No. of Positions/2 -1.27
C	1.27 X No. of Positions/2 +0.38
D	1.27 X No. of Positions/2 +1.91

Tolerances	Dwg.No.	2243D02021		Title:	2243 Series P.C.B. Socket 1.27mmX1.27mm	 <b>OUPIIN ELECTRONIC(KUNSHAN) CO., LTD.</b> P/N: 2243-xxCxxDPU-S		
	x = ±0.5	Projection						
	.x = ±0.25	Unit	mm				Scale	1:1
	.xx = ±0.15	Drawn By	CCH8/25/22					
SHEET		1/1	Ver.No.	R4				