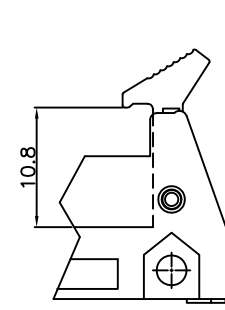
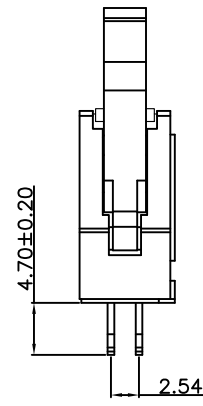
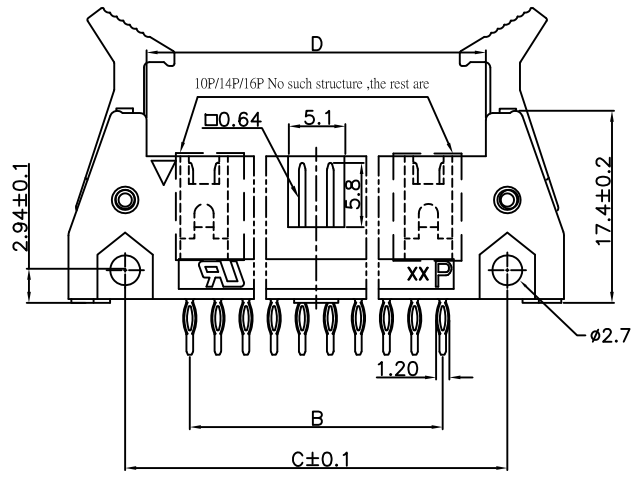
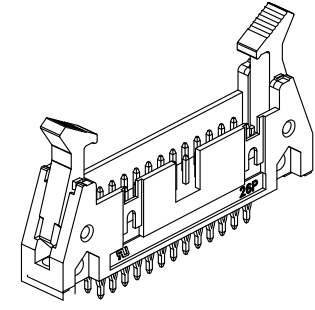
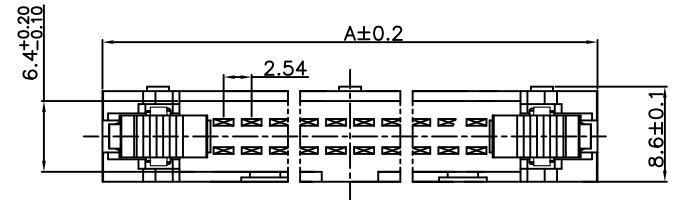


REV.	SPECIFICATION	ECN NO.	APPD.
R5		ECN150312	

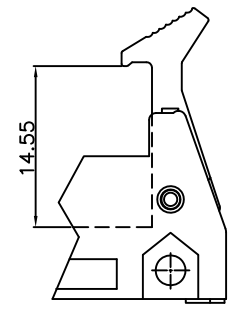
Material:
Housing: Thermoplastic Polyester Glass Filled UL94V-0.
Contacts: Copper Alloy.

Electrical Characteristics:
Current Rating: 2 AMP.
Dielectric Withstanding Voltage: AC 1000V For 1 minute.
Insulator Resistance: 1000MΩ min. at DC 500V.
Contact Resistance: 20mΩ max. at DC 100mA.
Operating Temperature: -40°C ~+105°C .

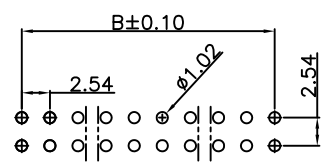
***RoHS Compliant**



Short Lever



Long Lever



P.C. Board Layout
Tolerance: ±0.05mm

3011- xx C xx S P B x A

Series: A: Tray Package
No. of Pin Count: 1: With Long Ejectors, 2: With Short Ejectors, 3: Without Ejectors
G: Gold Plated, T: Tin Plated, C: Selective Gold
00: G/F, 10: 10 μ", 15: 15 μ", 30: 30 μ"

Blank: Dip Type
P: Press Fit Type
S: Straight, R: Right Angle
*W: Wire Wrap

Position	Dimension			
	A	B	C	D
10	31.88	10.16	21.84	17.96
14	36.96	15.24	26.92	23.04
16	39.50	17.78	29.46	25.58
20	44.58	22.86	34.54	30.66
26	52.20	30.48	42.16	38.28
30	57.28	35.56	47.24	43.36
34	62.36	40.64	52.32	48.44
40	69.98	48.26	59.94	56.06
50	82.68	60.96	72.64	68.76
60	95.38	73.66	85.34	81.46
64	100.46	78.74	90.42	86.54

Tolerances	Dwg. No.	3011-D0000-001	
x = ±0.5	Projection	⊕ ↗	
.x = ±0.25	Unit	mm	Scale 1:1
.xx = ±0.15	Drawn By	zbs 03/09'15	

Title:
3011 Series
Box Header
With Ejectors 2.54mm

OUPIN			
OUPIN ELECTRONIC(KUNSHAN) CO., LTD.			
P/N: 3011-xxCxxSPBxA			
SHEET	1/1	Ver.No.	R5