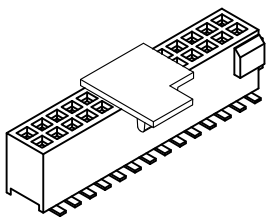


REV.	SPECIFICATION	ECN NO.	APPD.
R7		ECN220843	



**Material and Plating:**

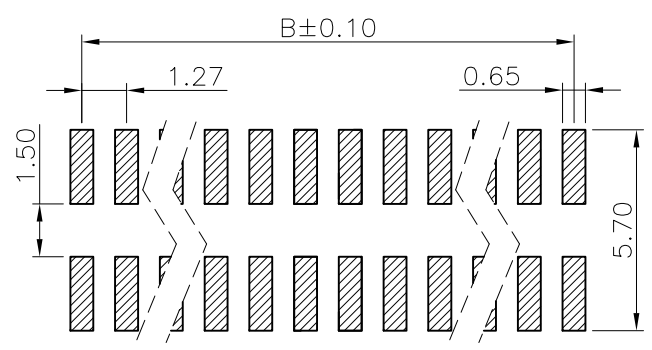
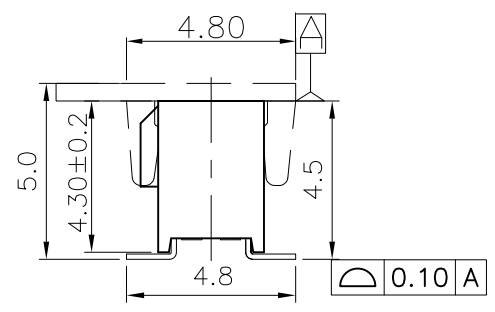
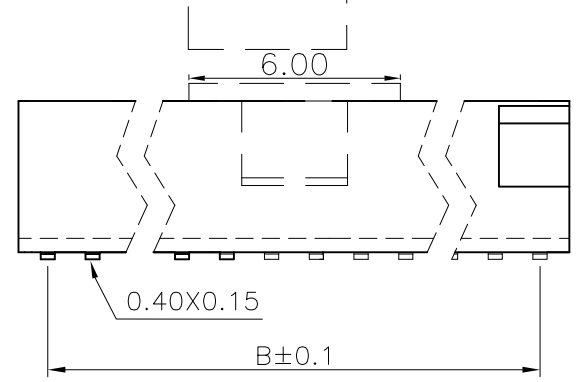
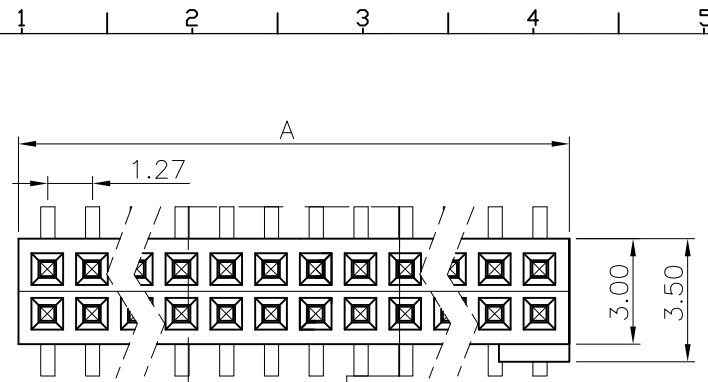
Housing: LCP,UL94V-0 , BLACK.  
 Contacts: Phosphor Bronze.  
 Gold Plated on Contact Area and 80u" Min Tin or Gold Flash Plated on Solder Tail over 50u" Min Nickel.

**Electrical Characteristics:**

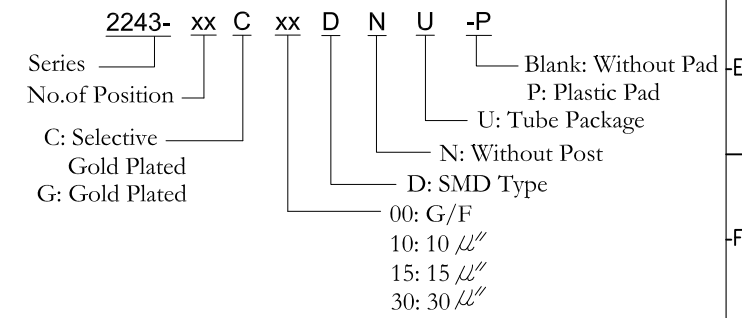
Current Rating: 1 AMP.  
 Dielectric Withstanding Voltage: AC 500V For 1 minute.  
 Insulator Resistance: 1000MΩ min. at DC 500V.  
 Contact Resistance: 20mΩ max. at DC 100mA.  
 Operating Temperature: -65°C ~ +125°C.

**\*RoHS Compliant**

Insertion Depth: 1.90mm to 2.90mm



P.C. Board Layout  
 (Tolerance: ±0.05mm)



Position	10 Thru 100
Dimension	
A	1.27 X No. of Positions/2 +0.38
B	1.27 X No. of Positions/2 -1.27

Tolerances	Dwg. No.	2243D02005	Title:	
x = ±0.5	Projection		2243 Series P.C.B. Socket 1.27mmX1.27mm	
.x = ±0.25	Unit	mm		
.xx = ±0.15	Scale	1:1		
	Drawn By	CCH8/25/22	SHEET 1/1	

Ver. No.	R7
----------	----

**OUPIN**  
**OUPIN ELECTRONIC(KUNSHAN) CO., LTD.**  
 P/N: 2243-xxCxxDNU-P  
 Ver. No. R7