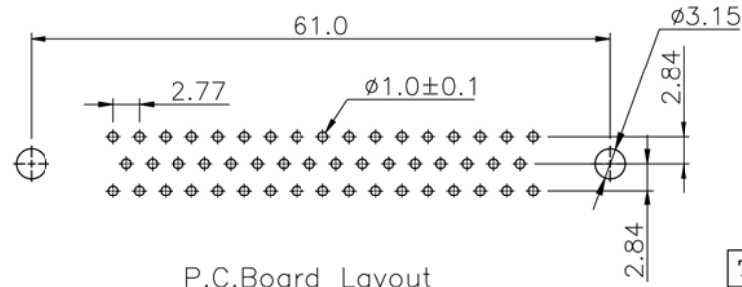
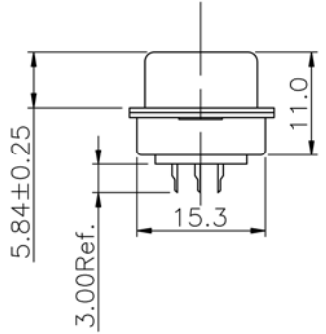
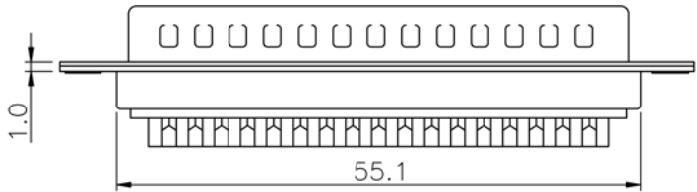
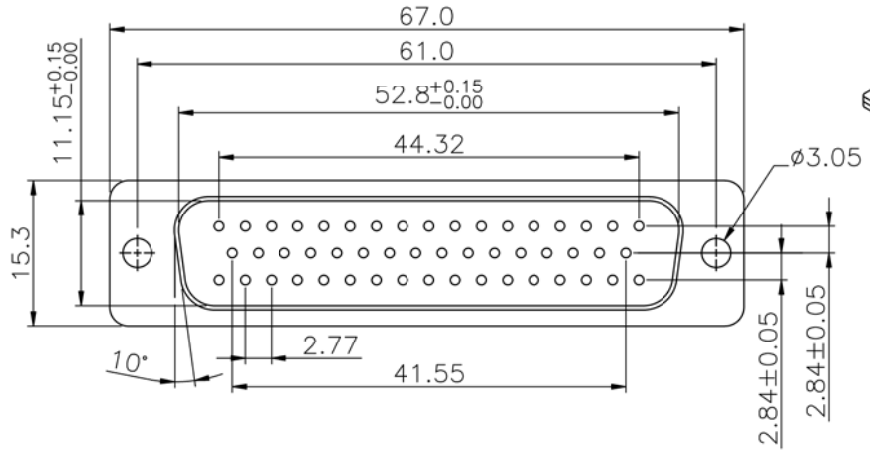
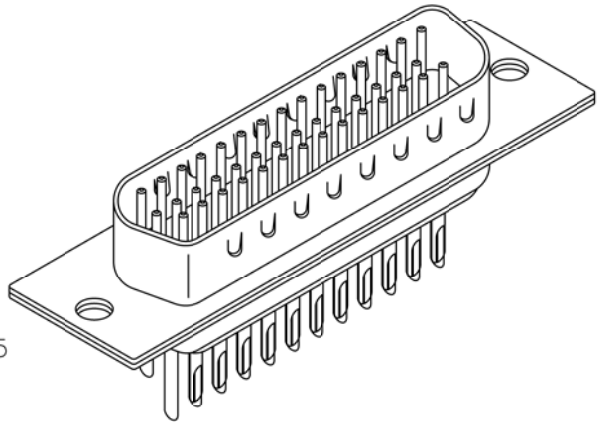


REV.	SPECIFICATION	ECN NO.	APPD.

Material:
Housing: PBT, UL94V-0.
Contacts: Brass, Gold Plated on Contact Area and 80-100μ" Tin Plated on Solder Tail over Nickel 30μ" Min.
Shell: Steel.
Electrical Characteristics:
Current Rating: 1 AMP.
Dielectric Withstanding Voltage: AC 1000V For 1 minute.
Insulation Resistance: 1000MΩ min. at DC 500V.
Contact Resistance: 20mΩ max. at DC 100mA.
Operating Temperature: -55°C~+105°C.
***RoHS Compliant**



7907- 50 M T B C 30 A
 Series Position M: Male B: Black C: Selective Gold Plated A: Tray Package
 30: 30 μ"

P.C.Board Layout

Tolerances	Dwg No.	7907D01002	Title:	OUPIN OUPIN ELECTRONIC(KUNSHAN) CO., LTD. P/N: 7907-50MTBC30A SHEET 1/1 Ver.No. A3			
x. = ±0.50	Projection	⊕ ⊖	7907 Series				
.x = ±0.25	Unit mm	Scale	D-SUB Solder Cup Type				
.xx = ±0.15	Drawn By	jia-chi 04/16'18	①767				