

REV.	SPECIFICATION	ECN NO.	APPD.
A5			

**Material:**

Housing: PBT, UL94V-0.

Contacts: Brass, Gold Plated over Nickel 30u" Min.

Shell: Steel.

**Electrical Characteristics:**

Current Rating: 1 AMP.

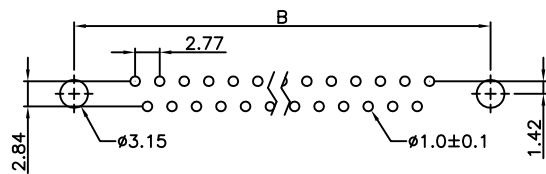
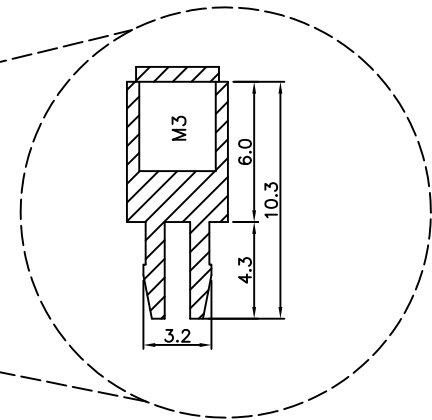
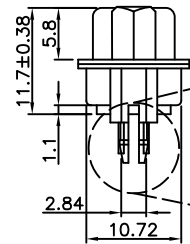
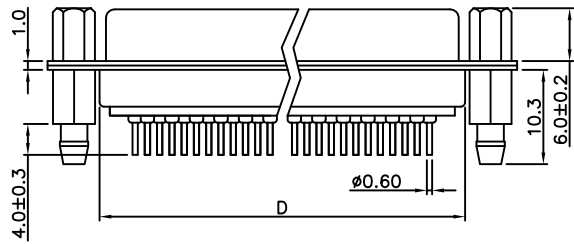
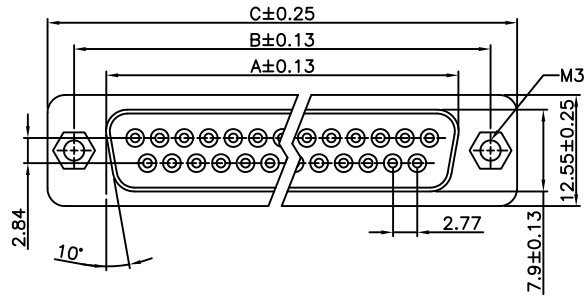
Dielectric Withstanding Voltage: AC 1000V for 1 minute.

Insulation Resistance: 1000MΩ min. at DC 500V.

Contact Resistance: 20mΩ max. at DC 100mA.

Operating Temperature: -55°C~+105°C.

**\*RoHS Compliant**



P.C. Board Layout

7905- xx F T B G 00 N3N6 A -6MM -M3

Series: 7905-  
 Position: xx  
 F: Female  
 B: Black  
 U: Blue  
 W: White  
 G: Gold Plated

T: Tray Package  
 N3N6: With Threaded Riveted Brackets and Jack Screws Assembled

G: M3: M3 Threaded Hole  
 6MM: Height of Jack Screw

00: G/F  
 10: 10u"  
 15: 15u"  
 30: 30u"

Position	Dimension			
	A	B	C	D
9	16.33	24.99	30.81	19.28
15	24.66	33.32	39.14	27.51
25	38.38	47.04	53.04	41.30
37	54.84	63.50	69.32	57.71

Tolerances	Dwg. No.	7905D02026		Title:	
x = ±0.50	Projection	⊕ ↗		7905 Series D-SUB Straight Type	
.x = ±0.25	Unit	mm	Scale		1:1
.xx = ±0.15	Drawn By	jia-chi 01/03'18			

① 767
-------

<b>OUPIN</b>			
OUPIN ELECTRONIC(KUNSHAN) CO., LTD.			
P/N: 7905-xxFTBG00N3N6A-6MM-M3			
SHEET	1/1	Ver.No.	A7