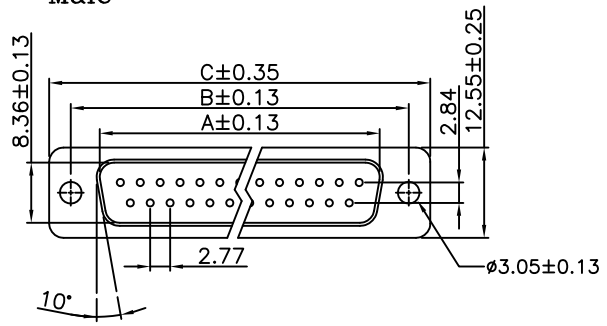


REV.	SPECIFICATION	ECN NO.	APPD.

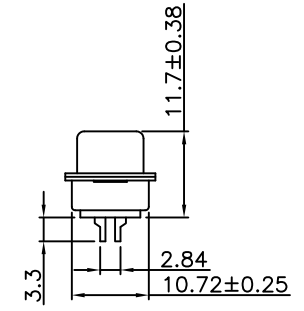
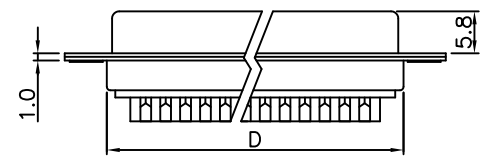
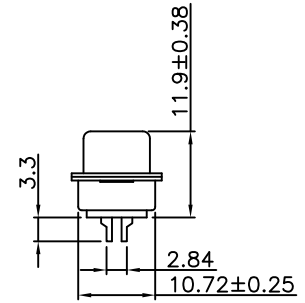
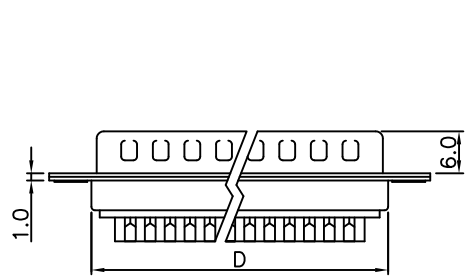
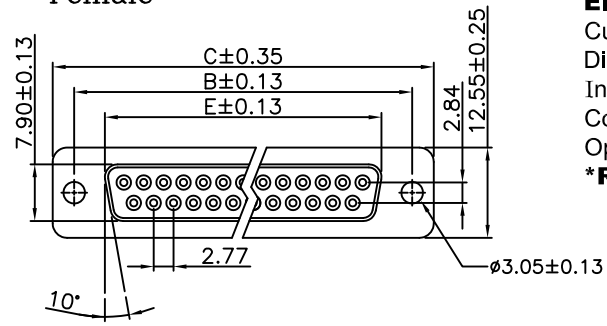
Material:
Housing: PBT, UL94V-0.
Contacts: Brass, Gold Plated over Nickel 50 u" Min.
Shell: Stainless Steel.

Electrical Characteristics:
Current Rating: 5 AMP.
Dielectric Withstanding Voltage: AC 1000V For 1minute.
Insulation Resistance: 1000MΩ min. at DC 500V.
Contact Resistance: 20mΩ max. at DC 100mA.
Operating Temperature: -55°C~+105°C.
***RoHS Compliant**

Male



Female



7907-xx M T B G 00 N5 A
Series ————
Position ————
M: Male
F: Female
B: Black
U: Blue
W: White
A: Tray Package
N5: Matching Pin
00: G/F
G: Gold Plated

Position	Dimension				
	A	B	C	D	E
9	16.92	24.99	30.81	19.28	16.33
15	25.25	33.32	39.14	27.51	24.66
25	38.96	47.04	53.04	41.30	38.38
37	55.42	63.50	69.32	57.40	54.84

Tolerances	Dwg No.	7907D03008
x = ±0.50	Projection	
.x = ±0.25	Unit	mm
.xx = ±0.15	Scale	1:1
	Drawn By	jia-chi 12/01'17

Title:
7907 Series
D-SUB Solder Cup Type
Matching Pin
①767

OUPIN
OUPIN ELECTRONIC(KUNSHAN) CO., LTD.
P/N: 7907-xxMTBG00N5A & 7907-xxFTBG00N5A

SHEET	1/1	Ver.No.	A1
-------	-----	---------	----