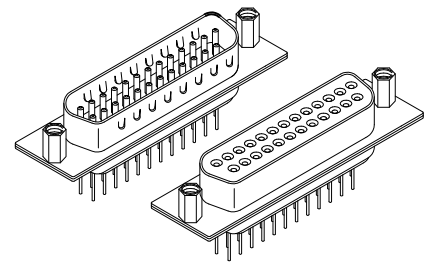


REV.	SPECIFICATION	ECN NO.	APPD.

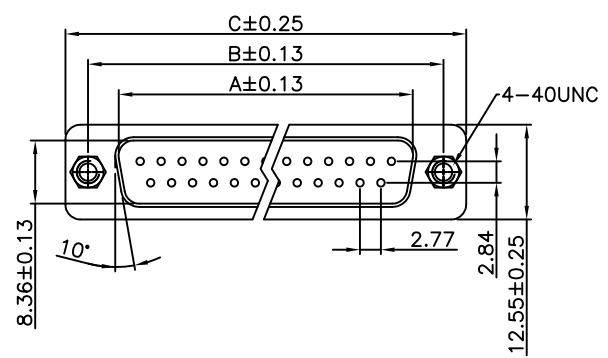


Material:
Housing: PBT, UL94V-0.
Contacts: Brass, Gold Plated over Nickel 30 u" Min.
Shell: Steel.

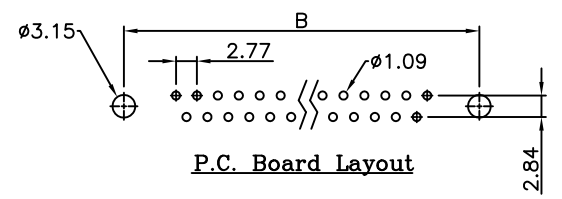
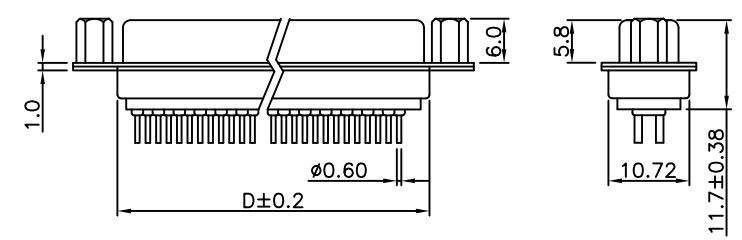
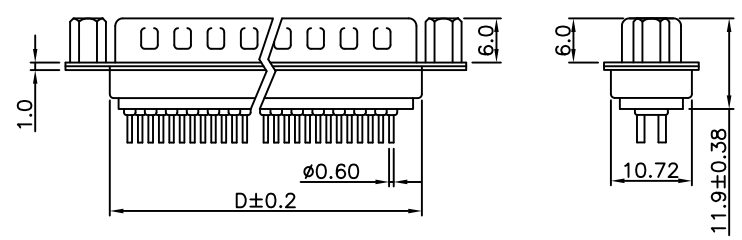
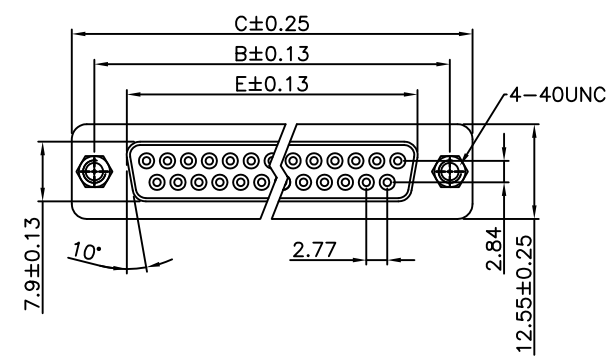
Electrical Characteristics:
Current Rating: 1 AMP.
Dielectric Withstanding Voltage: AC 1000V For 1 minute.
Insulation Resistance: 1000MΩ min. at DC 500V.
Contact Resistance: 20mΩ max. at DC 100mA.
Operating Temperature: -55°C~+105°C.

***RoHS Compliant**

Male



Female



P.C. Board Layout

7905- xx M T B G 00 N1 A

Series: 7905-
Position: xx
M: Male
F: Female
B: Black
U: Blue
W: White

T: Tray Package
N1: With NUTS 4-40UNC Threaded Riveted On Face Side
00: G/F
G: Gold Plated

Position	Dimension				
	A	B	C	D	E
9	16.92	24.99	30.81	19.28	16.33
15	25.25	33.32	39.14	27.51	24.66
25	38.96	47.04	53.04	41.30	38.38
37	55.42	63.50	69.32	57.71	54.84

Tolerances	Dwg. No.	7905D03017
x = ±0.5	Projection	
.x = ±0.25	Unit	mm
.xx = ±0.15	Scale	1:1
	Drawn By	Lucas 12/25'17

Title:
7905 Series
D-SUB Straight Type

OUPIN
OUPIN ELECTRONIC(KUNSHAN) CO., LTD.
P/N: 7905-xxMTBG00N1A&7905-xxFTBG00N1A

SHEET	1/1	Ver.No.	A2
--------------	-----	----------------	----