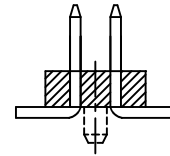
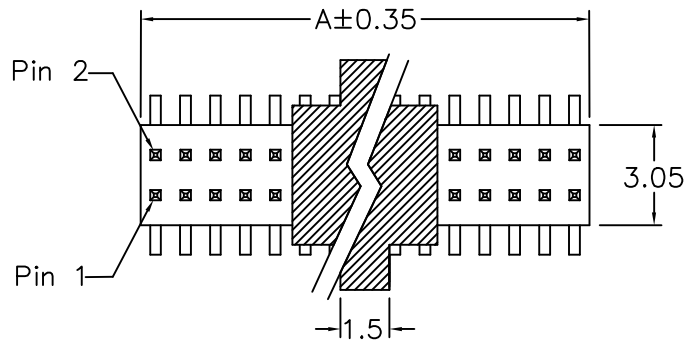


REV.	SPECIFICATION	ECN NO.	APPD.



Material:

Housing: PA6T, UL94V-0, Black.

Contacts: Brass, Gold Plated over Nickel 50u".

Electrical Characteristics:

Current Rating: 0.75 AMP.

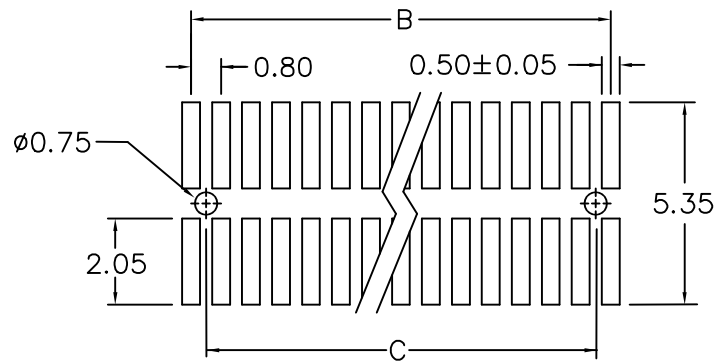
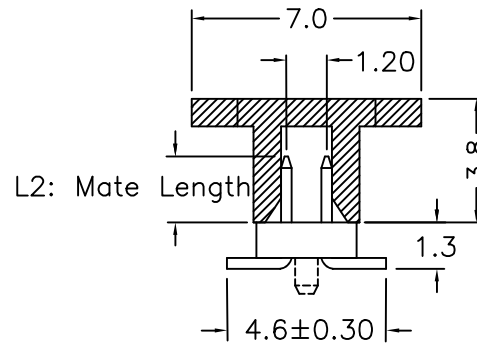
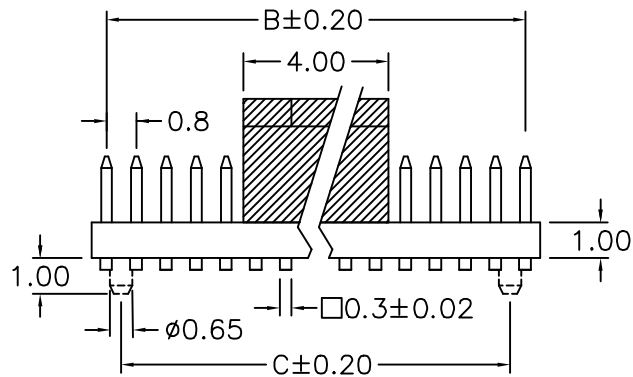
Dielectric Withstanding Voltage: AC 500V.

Insulator Resistance: 1000MΩ min.

Contact Resistance: 15mΩ max.

Operating Temperature: -40°C~+105°C.

***RoHS Compliant**



P.C. Board Layout

2081- 2 X xx G 00 D P -L2 U - P
 Series Double Row No. of Pin Per Row G:Gold Plated 00: Gold Flash D: SMD Type P:With Post N: Without Post L2: Mate Length U: Tube Package T: Tape&Reel Package Black: W/O Pad P: Plastic Pad

Position	6 Thru 40
Dimension	
A	0.8 X No. of Positions/2+0.26
B	0.8 X No. of Positions/2-0.8
C	0.8 X No. of Positions/2-1.6

ie: 2081-2XxxG00DP-2U-P

2.0mm Mate Length (increment of 0.10mm)

Tolerances	Dwg. No.	2081D01001	
x = ±0.50	Projection	⊕ ↗	
.x = ±0.25	Unit	mm	Scale 1:1
.xx = ±0.15	Drawn By	Jerry 11/06'19	

Title: 2081 Series
 Pin Header 0.8mmX1.2mm
 Double Row
 S.M.D Type

OUPIIN			
OUPIIN ELECTRONIC(KUNSHAN) CO., LTD.			
P/N: 2081-2XxxG00DP-L2U-P			
SHEET	1/1	Ver.No.	B3