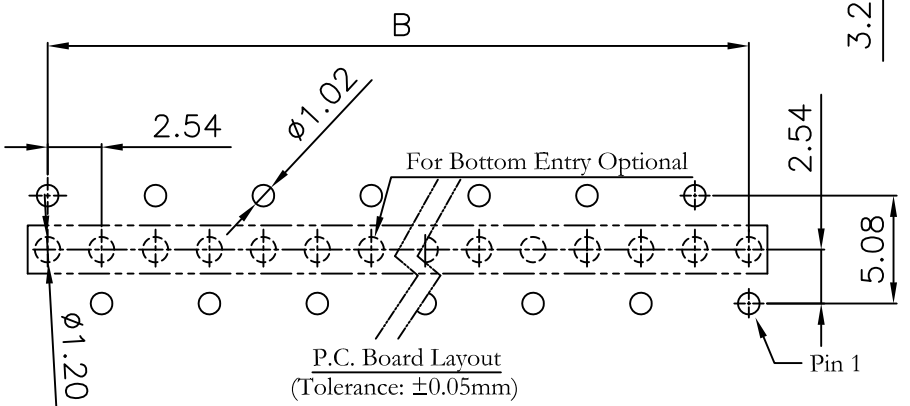
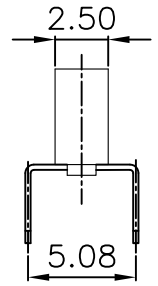
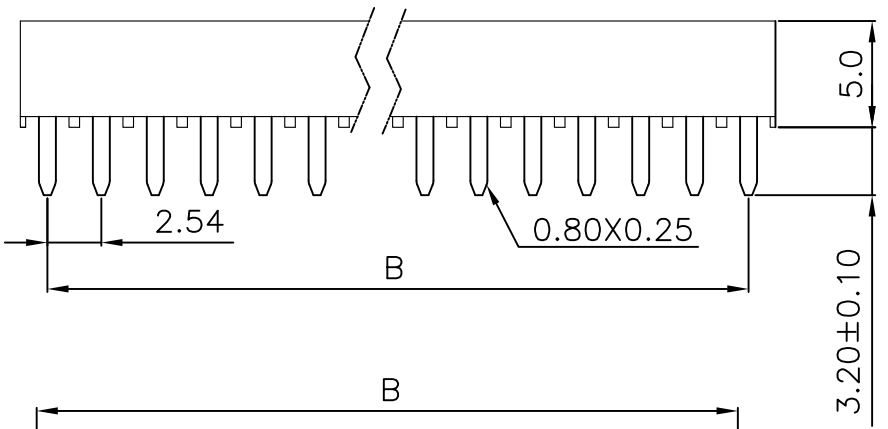
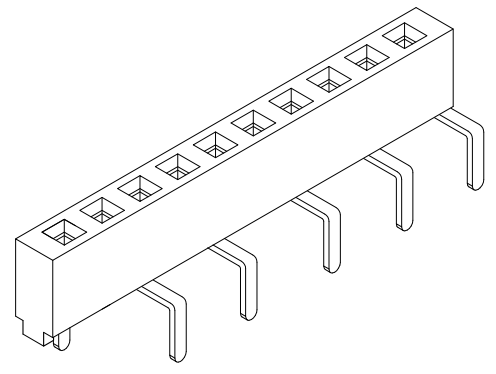
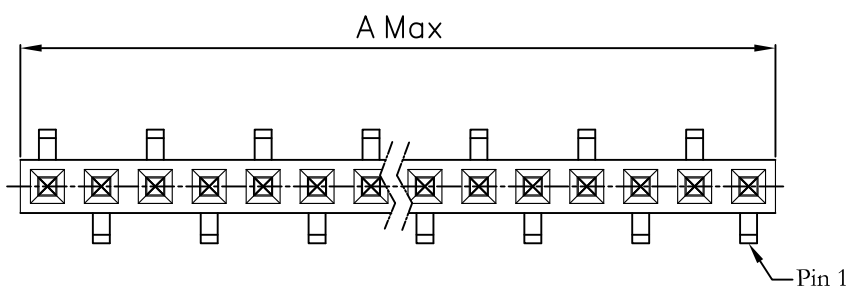


REV.	SPECIFICATION	ECN NO.	APPD.
R3			



2048- 1 X xx G xx B U
 Series Single Row No. of Pin Per Row G: Gold Plated T: Tin Plated
 U: Tube Package B: Type B
 00: G/F
 10: 10 μ"
 15: 15 μ"
 30: 30 μ"

Material:
 Housing: Thermoplastiv Polyester Glass Filled UL94V-0.
 Contacts: Copper Alloy.
Electrical Characteristics:
 Current Rating: 2 AMP.
 Dielectric Withstanding Voltage: AC 1000V For 1 minute.
 Insulator Resistance: 1000MΩ min. at DC 500V.
 Contact Resistance: 20mΩ max. at DC 100mA.
 Operating Temperature: -55°C~+105°C .
***RoHS Compliant**
 Insertion Depth: 2.55mm to 4.50mm.
 Bottom Entry Insertion Depth: 4.55mm min.
 (Excluding PCB Thickness).

Position	2 Thru 40
Dimension	
A	2.54 X No. of Positions
B	2.54 X No. of Positions -2.54

Tolerances	Dwg. No.	2048-D0000-002	Title:	2048 Series	 OUPIN ELECTRONIC(KUNSHAN) CO., LTD. P/N: 2048-1XxxGxxBU SHEET 1/1 Ver. No. R3
x = ±0.5	Projection		P.C.B. Socket 2.54mm(0.100")		
.x = ±0.25	Unit	mm	Scale 1:1		
.xx = ±0.15	Drawn By	Zhu QL 12/04'12			