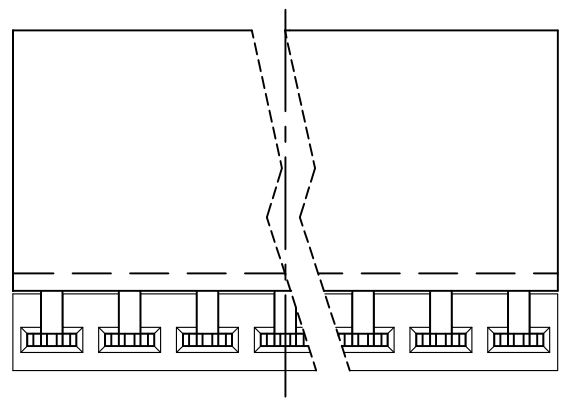
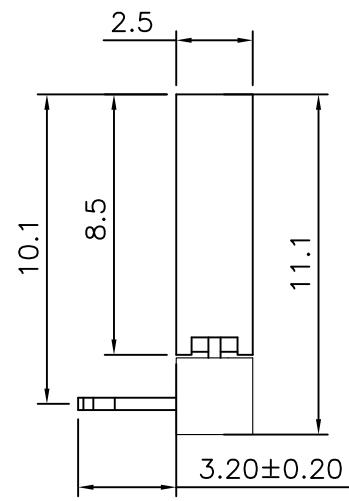
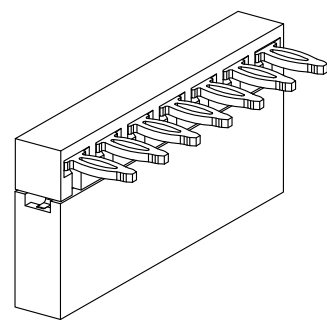
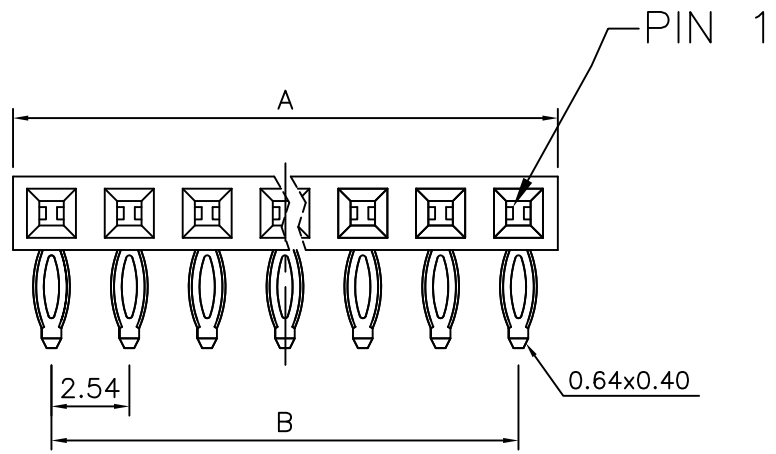


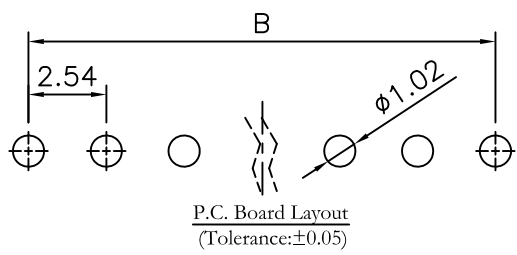
REV.	SPECIFICATION	ECN NO.	APPD.
R5		ECN160328	



**Material:**  
**Housing:** Thermoplastic Polyester Glass Filled UL94V-0  
**Contacts:** Copper Alloy

**Electrical Characteristics:**  
**Current Rating:** 2 AMP.  
**Dielectric Withstanding Voltage:** AC 1000V for 1 minute.  
**Insulator Resistance:** 1000MΩ min. at DC 500V.  
**Contact Resistance:** 20mΩ max. at DC 100mA.  
**Operating Temperature:** -55°C~+105°C .

**\*RoHS Compliant**  
**Insertion Depth:** 2.55mm to 6.20mm.



2044- 1 X xx G xx R P A

Series — 2044-  
 Single Row — 1 X  
 No. of Pin Per Row — xx  
 G: Gold Plated  
 T: Tin Plated

A: Tray Package  
 B: Bulk Package  
 P: Press Fit  
 R: Right Angle  
 00: G/F  
 10: 10μ  
 15: 15μ  
 30: 30μ

Position	2 Thru 40
Dimension	
A	2.54 X No. of Position +0.4
B	2.54 X No. of Position -2.54

Tolerances	Dwg. No.	2044-D0000-020	Title:	
x = ±0.5	Projection		2044 Series	
.x = ±0.25	Unit	mm	P.C.B. Socket 2.54mm(0.100")	
.xx = ±0.15	Drawn By	ycj 03/15'16	 <b>OUPIN ELECTRONIC(KUNSHAN) CO., LTD.</b> <b>P/N: 2044-1XxxGxxRPA</b>	
			SHEET	1/1
			Ver. No.	R5