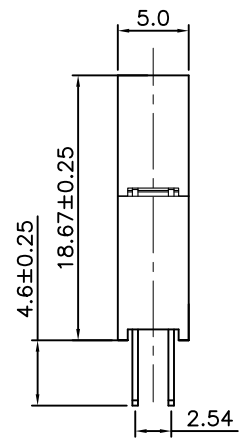
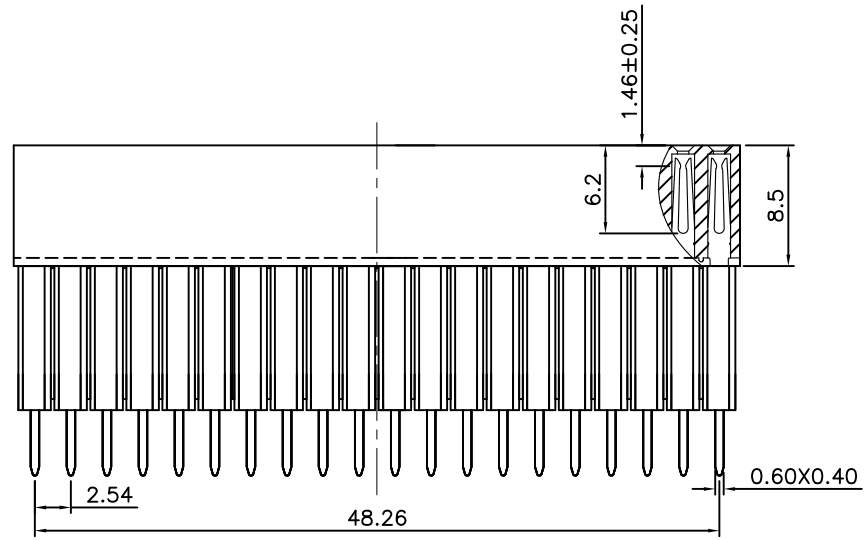
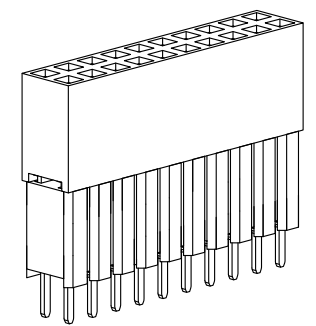
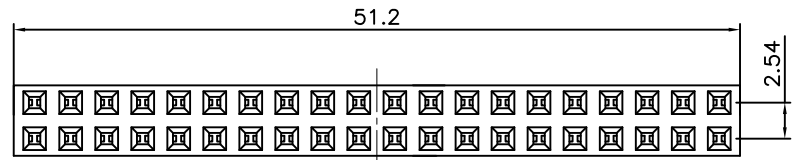


REV.	SPECIFICATION	ECN NO.	APPD.
R3		ECN201004	



**Material and Plating:**

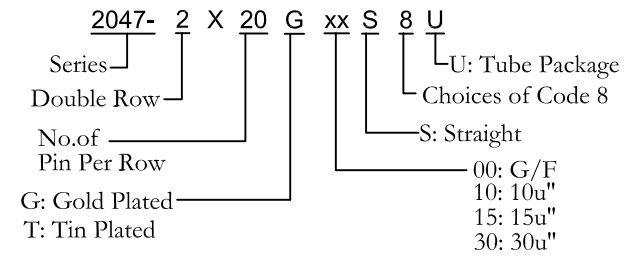
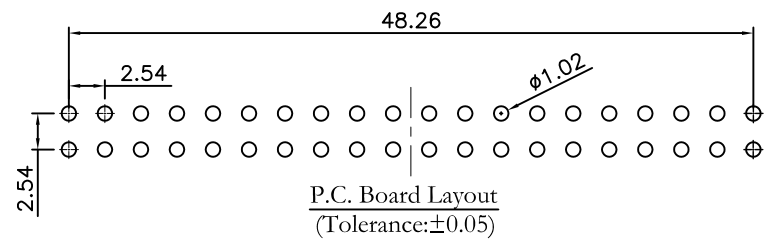
Housing: PBT,UL94V-0,Black.  
 Cover: PBT,UL94V-0,Black.  
 Contacts: Brass.  
 Gold Plated on Contact Area and Gold Flash on solder tail over Nickel 50u" Min.  
 Or Tin 80u" Min Plated over Nickel 50u" Min.

**Electrical Characteristics:**

Current Rating: 2 AMP.  
 Dielectric Withstanding Voltage: AC 1000V For 1 minute.  
 Insulator Resistance: 1000MΩmin. at DC 500V.  
 Contact Resistance: 20mΩmax. at DC 100mA.  
 Operating Temperature: -55°C ~ +105°C.

**\*RoHS Compliant**

Insertion Depth: 2.55mm to 5.70mm.



Tolerances	Dwg. No.	2047-D0000-011	Title:	
x = ±0.5	Projection		2047 Series	
.x = ±0.25	Unit	mm	Scale	1:1
.xx = ±0.15	Drawn By	WQ 10/8'20	Elevated P.C.B. Socket	
			2.54mmX2.54mm(0.100"X0.100")	

Title:			
2047 Series			
Elevated P.C.B. Socket			
2.54mmX2.54mm(0.100"X0.100")			

<b>OUPIN</b>			
OUPIN ELECTRONIC(KUNSHAN) CO., LTD.			
P/N: 2047-2X20GxxS8U			
SHEET	1/1	Ver.No.	R3