

REV.	SPECIFICATION	ECN NO.	APPD.
R2		ECN230928	

Material and Plating:

Housing: LCP, UL94V-0, BLACK.
 Power Contacts: High Conductivity Copper .
 30u"Au+Pd/Ni or Gold Plated on Contact Area and 80u" Min Tin Plated on Solder Tail over 50u" Min Nickel.
 Signal Contacts : Phosphor Bronze .
 30u"Au+Pd/Ni or Gold Plated on Contact Area and 80u" Min Tin Plated on Solder Tail over 50u" Min Nickel.

Electrical Characteristics:

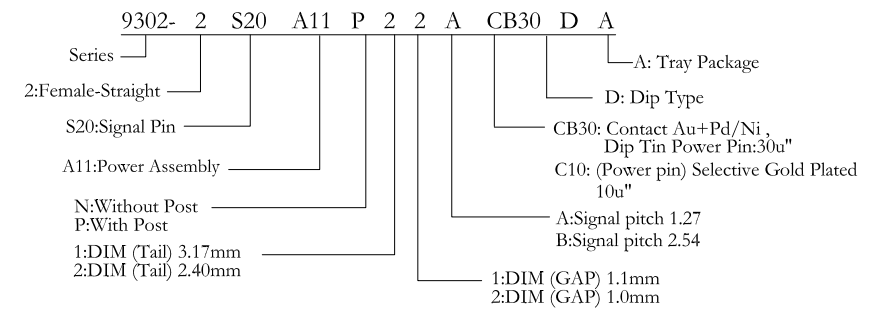
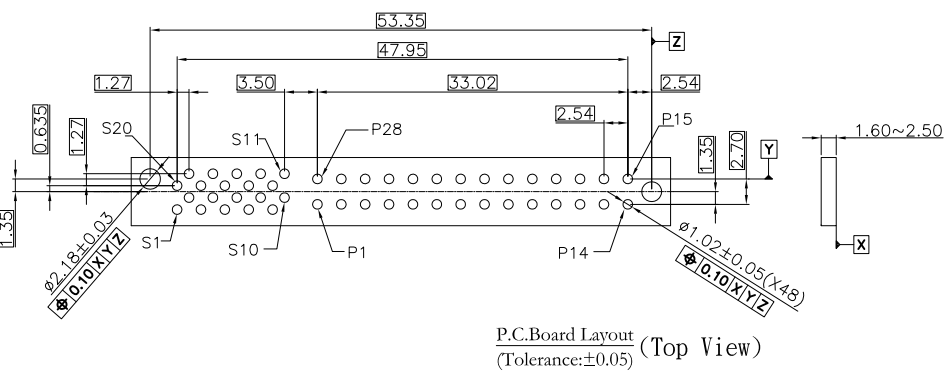
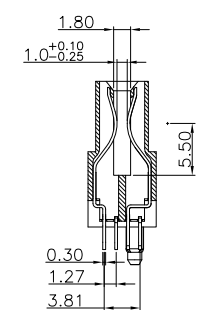
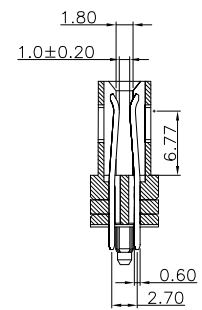
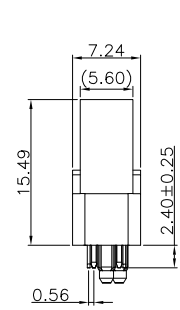
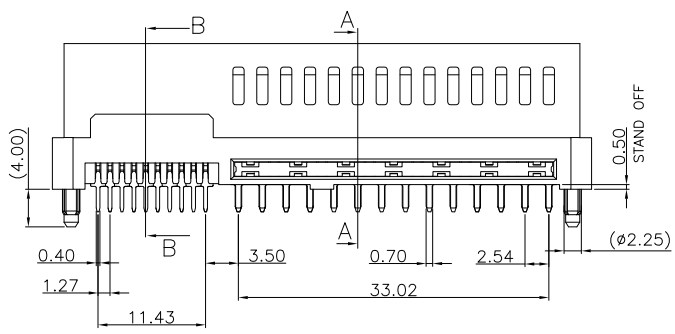
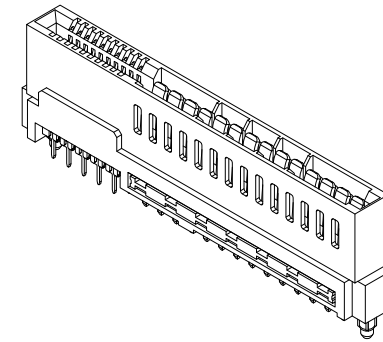
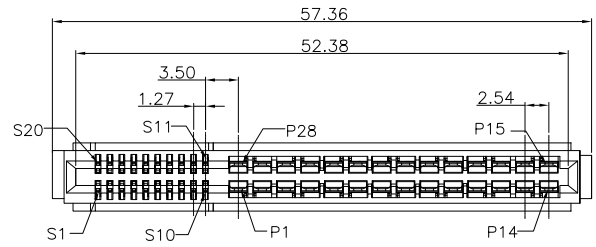
Current Rating: Signal Pin 1.5 AMP.
 Power Pin 12.5AMP(UL).
 Dielectric Withstanding Voltage:
 Signal Pin DC 500V For 1 minute.
 Power Pin DC 1000V For 1 minute.

Insulator Resistance: Signal Pin 500MΩ min. at DC 500V.
 Power Pin 5000MΩ min. at DC 500V.

Contact Resistance: Signal Pin 25mΩ max.
 Power Pin 0.6mΩ max.

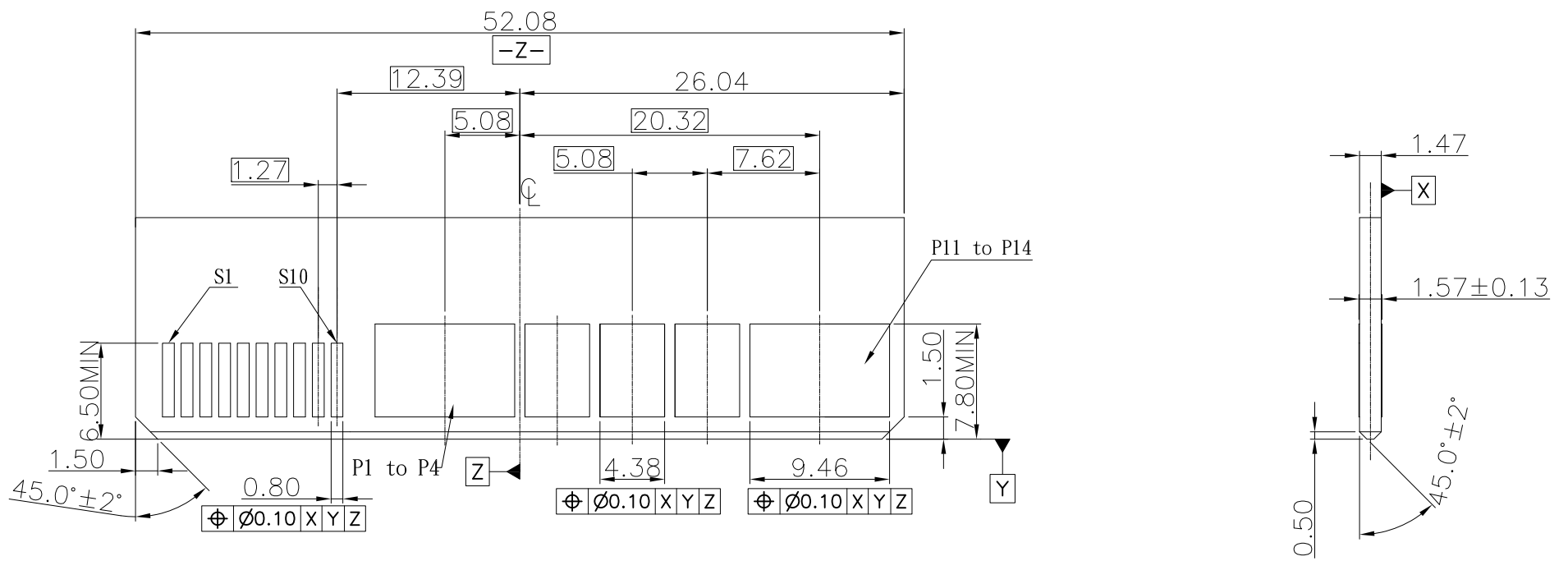
Operating Temperature: -55°C ~+105°C .

*RoHS Compliant


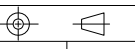


Tolerances	Dwg. No.	9302-D0000-025	Title:		 OUPIIN ELECTRONIC(KUNSHAN) CO., LTD. P/N: 9302-2S20A11P22ACB30DA SHEET 1/2 Ver.No. R2					
X=±0.50	Projection		9302 Series							
.X=±0.25	Unit	mm	Scale	1:1					High Power and Signal	
.XX=±0.15	Drawn By	GYJ 09/19'23	Edge Card Connector							

REV.	SPECIFICATION	ECN NO.	APPD.
R2		ECN230928	



RECOMMENDED MATTING BOARD FOOTPRINT
(Tolerance: ±0.05)

Tolerances	Dwg. No.	9302-D0000-025	Title:		 OUPIIN ELECTRONIC(KUNSHAN) CO., LTD. P/N: 9302-2S20A11P22ACB30DA SHEET 2/2 Ver.No. R2
X=±0.50	Projection		9302 Series High Power and Signal Edge Card Connector		
.X=±0.25	Unit	mm	Scale	1:1	
.XX=±0.15	Drawn By	GYJ 09/19'23			