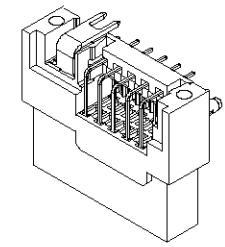
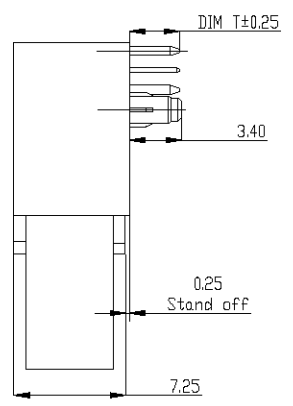
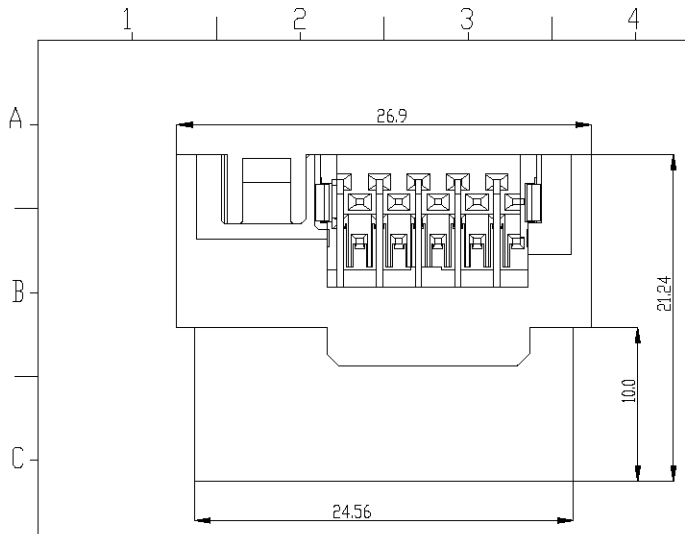
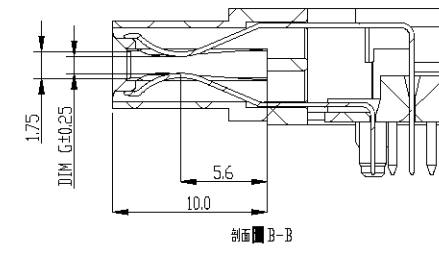
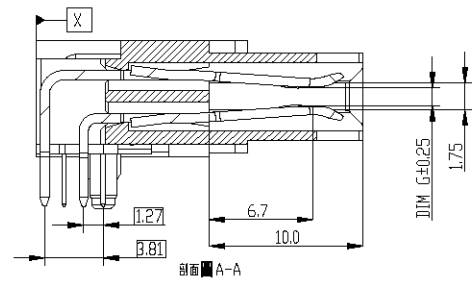
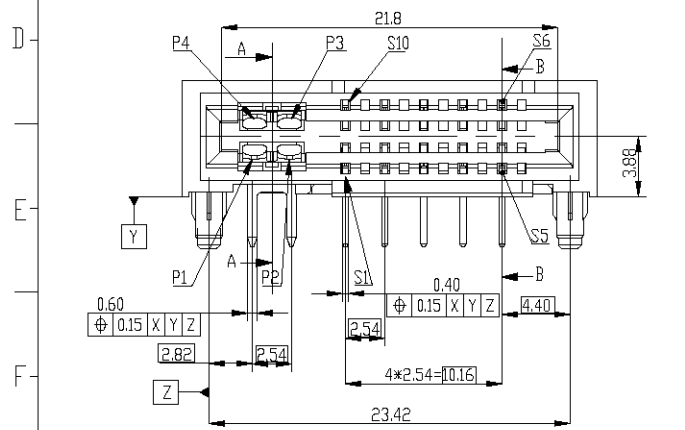


REV.	SPECIFICATION	ECN NO.	APPD.
R3		ECN190811	



Material:  
**Housing:** High Temperature Plastic UL94V-0.  
**Contacts:** Copper Alloy.

Electrical Characteristics:  
**Current Rating:** Signal Pin 1.5A.  
Power Pin 12.5A(UL).  
**Dielectric Withstanding Voltage:**  
Signal Pin AC 500V For 1 Minute.  
Power Pin AC 1000V For 1 Minute.  
**Contact Resistance:** Signal Pin 25mΩ max.  
Power Pin 0.6mΩ max.  
**Insulator Resistance:**Signal Pin 500MΩ min.at DC 500V  
Power Pin 5000MΩ min.at DC 500V  
**Operating Temperature:** -55°C~+105°C.  
\*Rohs Compliant



Series 9302- 4 female Right-angle  
empty without power PXX  
empty without signal SXX  
N/W/O Post  
P With Post=4.00mm  
B With Post=3.40mm

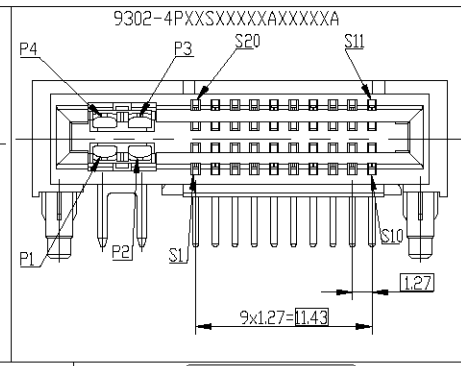
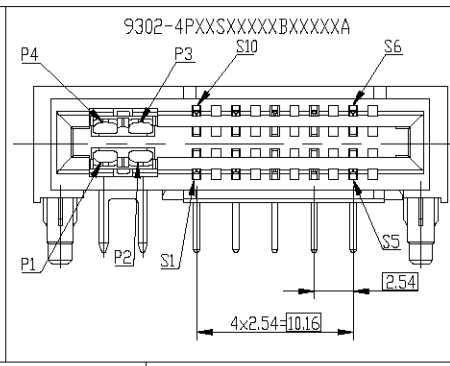
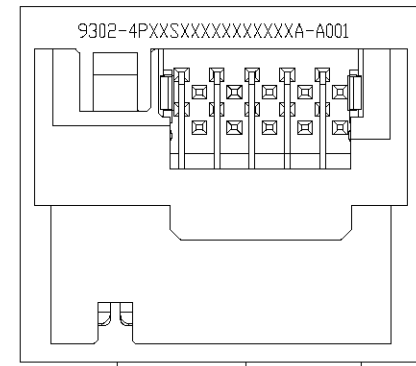
1: DIM T=3.25mm  
2: DIM T=2.60mm  
1: DIM G(GAP)=1.10mm  
2: DIM G(GAP)=1.80mm

Table A

A Tray Package  
D: Dip Type  
0045/F,1010u",1540u",30 30 u"  
CB: (Power pin) Contact Au+Pd/Ni, Dip Tin  
D: (Power pin) Selective Gold Plated  
G: (Power pin) Gold Plated

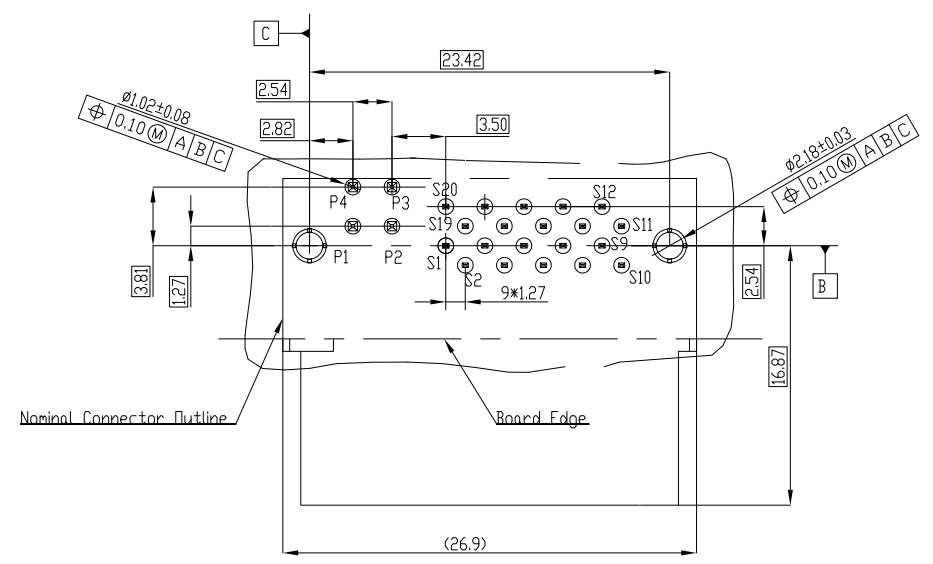
B : signal pitch 2.54  
A : signal pitch 1.27

See Fig1  
See Fig2

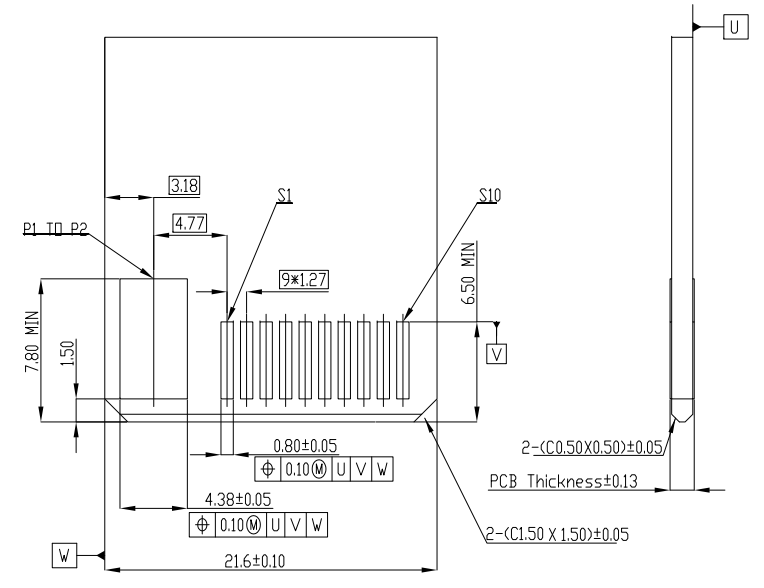


Tolerances	Dwg.No.	9302-D0000-023		Title:		 DUPIN ELECTRONIC(KUNSHAN) CO., LTD. P/N: 9302-4P02S20B11BCB30DA SHEET 1/3 Ver.No. R3			
X=±0.5	Projection			9302 Series					
.X=±0.25	Unit	mm		High Power Card Edge					
.XX=±0.15	Drawn By	wq 08/07'19							

REV.	SPECIFICATION	ECN NO.	APPD.
R3		ECN190811	



P.C.B Layout  
(Tolerance:±0.05)  
Fig.1

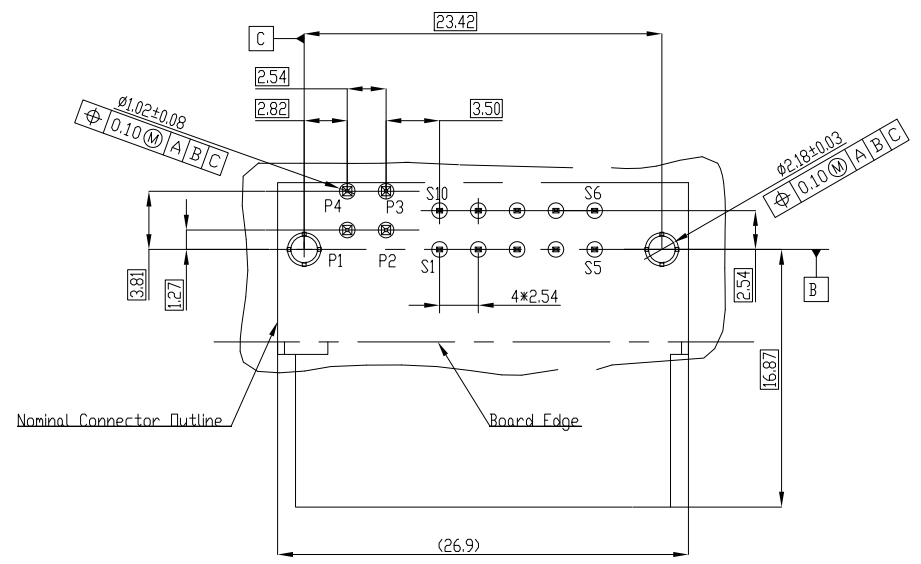


RECOMMENDED MATING BOARD  
FOOT PRINT

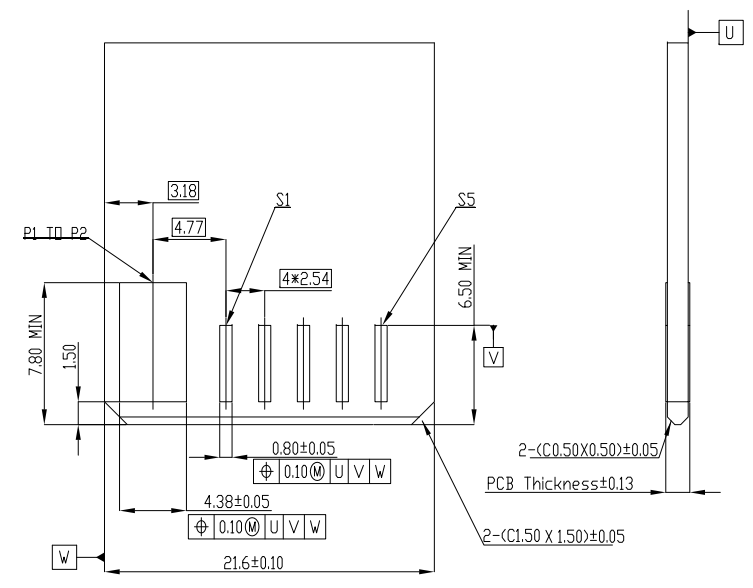
Dim G	PCB Thickness
1.10	1.57
1.80	2.30

Tolerances	Dwg.No.	9302-D0000-023	Title:		 DUPIIN ELECTRONIC(KUNSHAN) CO., LTD. P/N: 9302-4P02S20B11BCB30DA
X=±0.5	Projection		9302 Series		
.X=±0.25	Unit	mm	Scale	1:1	
.XX=±0.15	Drawn By	wq 08/07'19	High Power Card Edge		
			SHEET		2/3
			Ver.No.		R3

REV.	SPECIFICATION	ECN NO.	APPD.
R3		ECN190811	



P.C.B Layout  
(Tolerance:±0.05)  
Fig.2



RECOMMENDED MATING BOARD  
FOOT PRINT

Tolerances	Dwg.No.	9302-D0000-023	Title:		 DUPIIN ELECTRONIC(KUNSHAN) CO., LTD. P/N: 9302-4P02S20B11BCB30DA
X=±0.5	Projection		9302 Series High Power Card Edge		
.X=±0.25	Unit	mm	Scale	1:1	
.XX=±0.15	Drawn By	wq 08/07'19	©		SHEET 3/3 Ver.No. R3