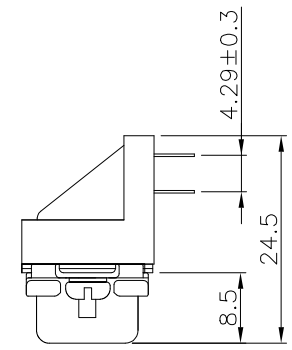
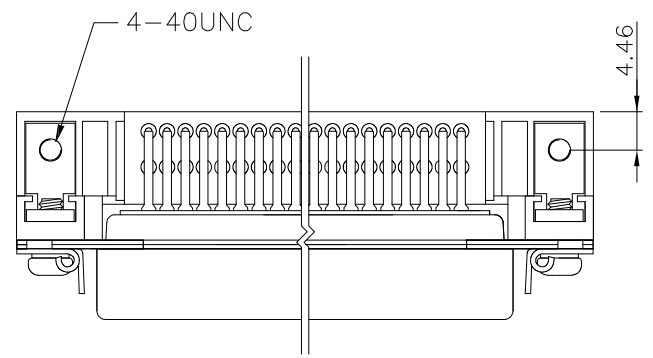
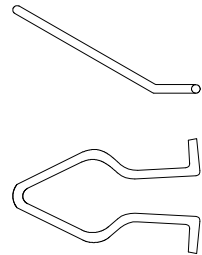
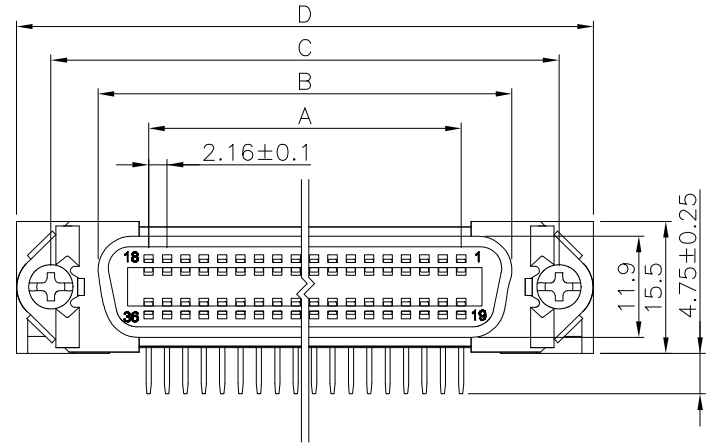


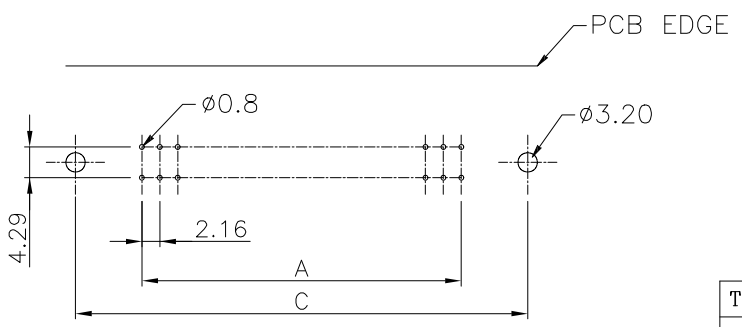
REV.	SPECIFICATION	ECN NO.	APPD.



**Material:**  
Housing: PBT, UL94V-0, Blue.  
Contacts: Phosphor Bronze, Gold Plated on Contact Area and 100u" Tin Plated on Solder Tail over Nickel 50u".  
Shell: Steel, 80u" Nickel Plated over Copper 40u".  
**Electrical Characteristics:**  
Current Rating: 3 AMP.  
Dielectric Withstanding Voltage: AC 1000V.  
Insulation Resistance: 1000MΩ min.  
Contact Resistance: 30mΩ max.  
Operating Temperature: -55°C~+105°C.  
**\*RoHS Compliant**



APPOSE SPRING LATCH  
2PCS



Series 5973- 40 xx0 A  
40:Female      A:Tray Package  
140:14Pin  
240:24Pin  
360:36Pin  
500:50Pin

Positions	A	B	C	D
14	12.96	25.2	36.0	43.9
24	23.76	36.0	46.8	54.7
36	36.72	48.9	59.7	67.7
50	51.84	64.1	74.9	82.8

Tolerances x. = ±0.40 .x = ±0.30 .xx = ±0.20	Dwg. No.	5973D02001		Title: 5973 Series Centronic Connector Right Angle Type	 OUPIN ELECTRONIC(KUNSHAN) CO., LTD. P/N: 5973-40xx0A		
	Projection						
	Unit	mm	Scale			1:N	
	Drawn By	Martin 06/29'23				① 522	
SHEET					1/1	Ver.No.	A6