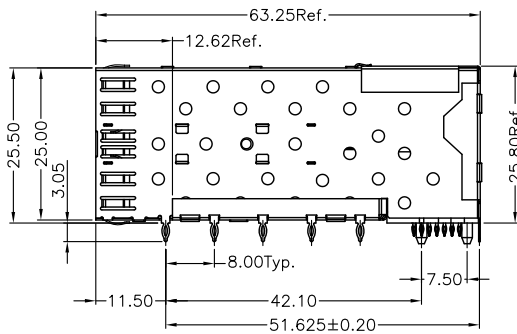
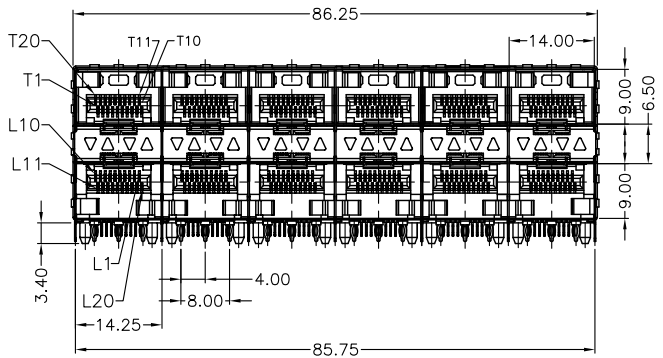
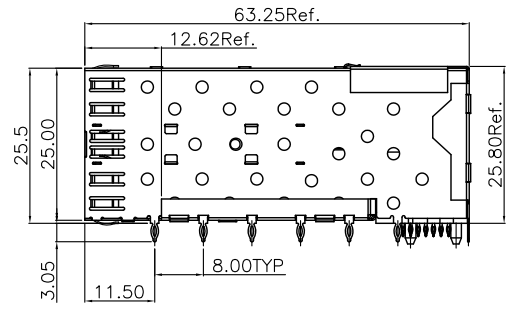
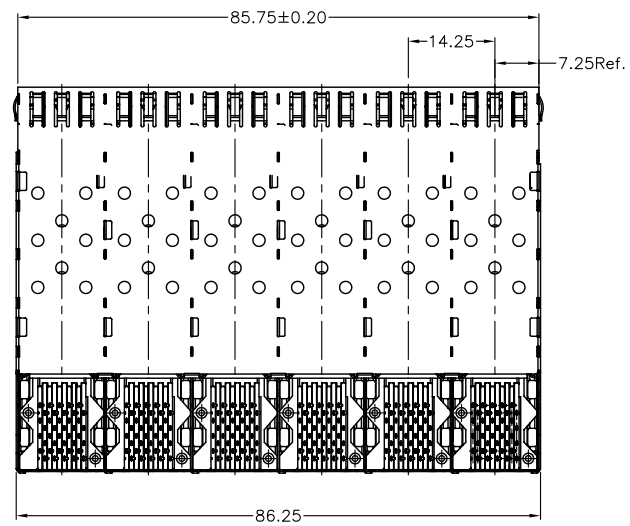
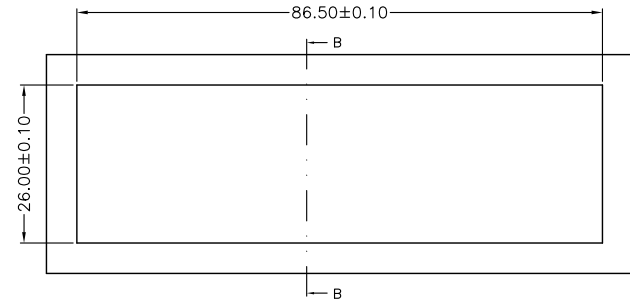


REV.	SPECIFICATION	ECN NO.	APPD.

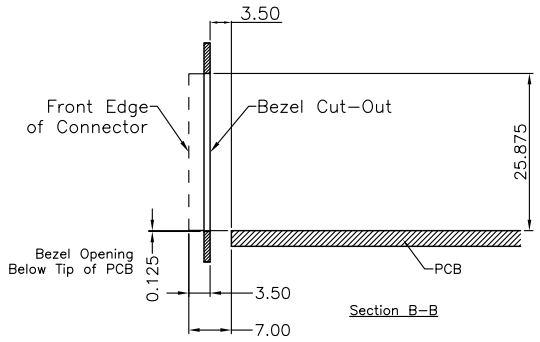
Material:
Housing: Temperature Plastic UL94V-0, Black.
Terminal: Copper Alloy.
Cage: Copper Alloy.
Light Pipe: Temperature Plastic UL94V-0, Clear.
Electrical Characteristics:
 Operating Temperature: -40°C~+85°C.
***RoHS Compliant**



With Light Pipes



W/O Light Pipes



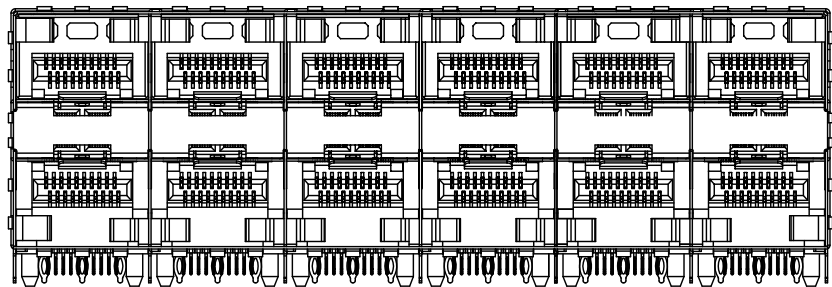
- 8952-A 2X6 C 15 P S x A
- Series
 - 2X6 Ports
 - C: Selective Gold Plated
 - 15: 15μ"
 - 30: 30μ"
 - A: Tray Package
 - 0: W/O Light Pipes
 - 1: With Inner Light Pipes
 - 2: With Outer Light Pipes
 - 3: With Inner & Outer Light Pipes
 - S: Spring
 - P: Press Fit

Tolerances	Dwg. No.	8952D00013	
X. = ±0.50	Date	⊕ ⊖	
.X = ±0.30	Unit	mm	Scale 1/1
.XX = ±0.25	Drawn By	Vivian 09/12'17	

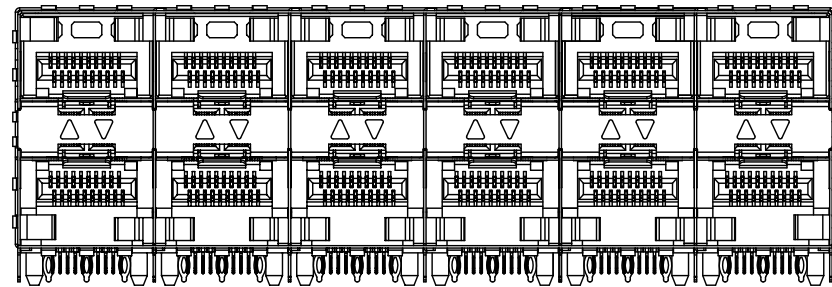
Title: 8952 Series
 SFP 2X6 Cage, R/A, Metal Shield
 Press Fit Type With Connector
 665

OUPIN			
OUPIN ELECTRONIC(KUNSHAN) CO., LTD.			
P/N: 8952-A2X6C15PSxA			
SHEET	1/4	Ver.No.	A2

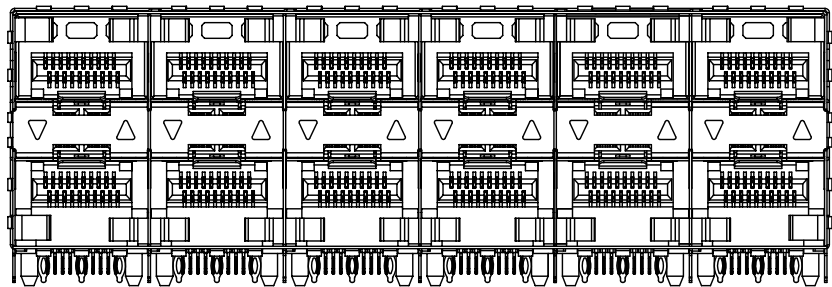
REV.	SPECIFICATION	ECN NO.	APPD.



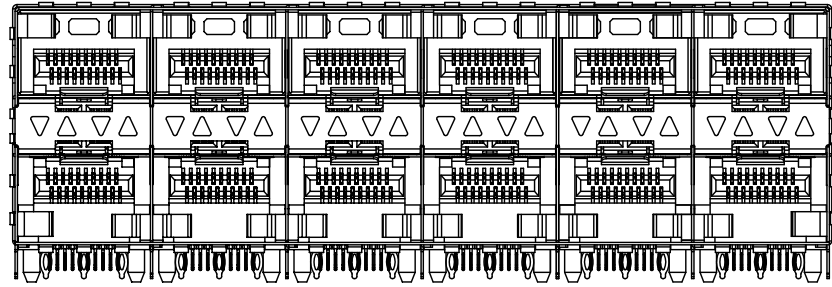
W/O Light Pipes




With Inner Light Pipes



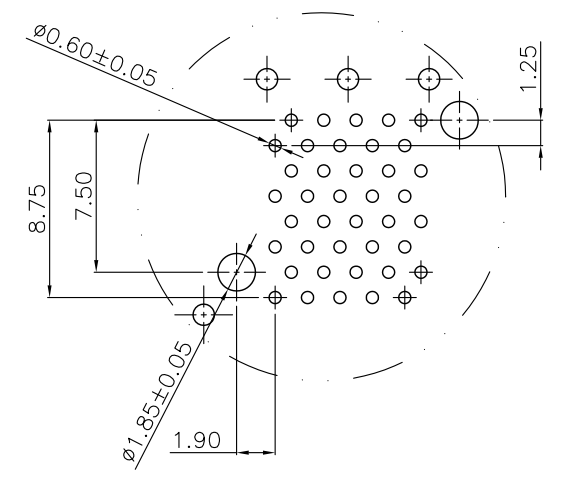
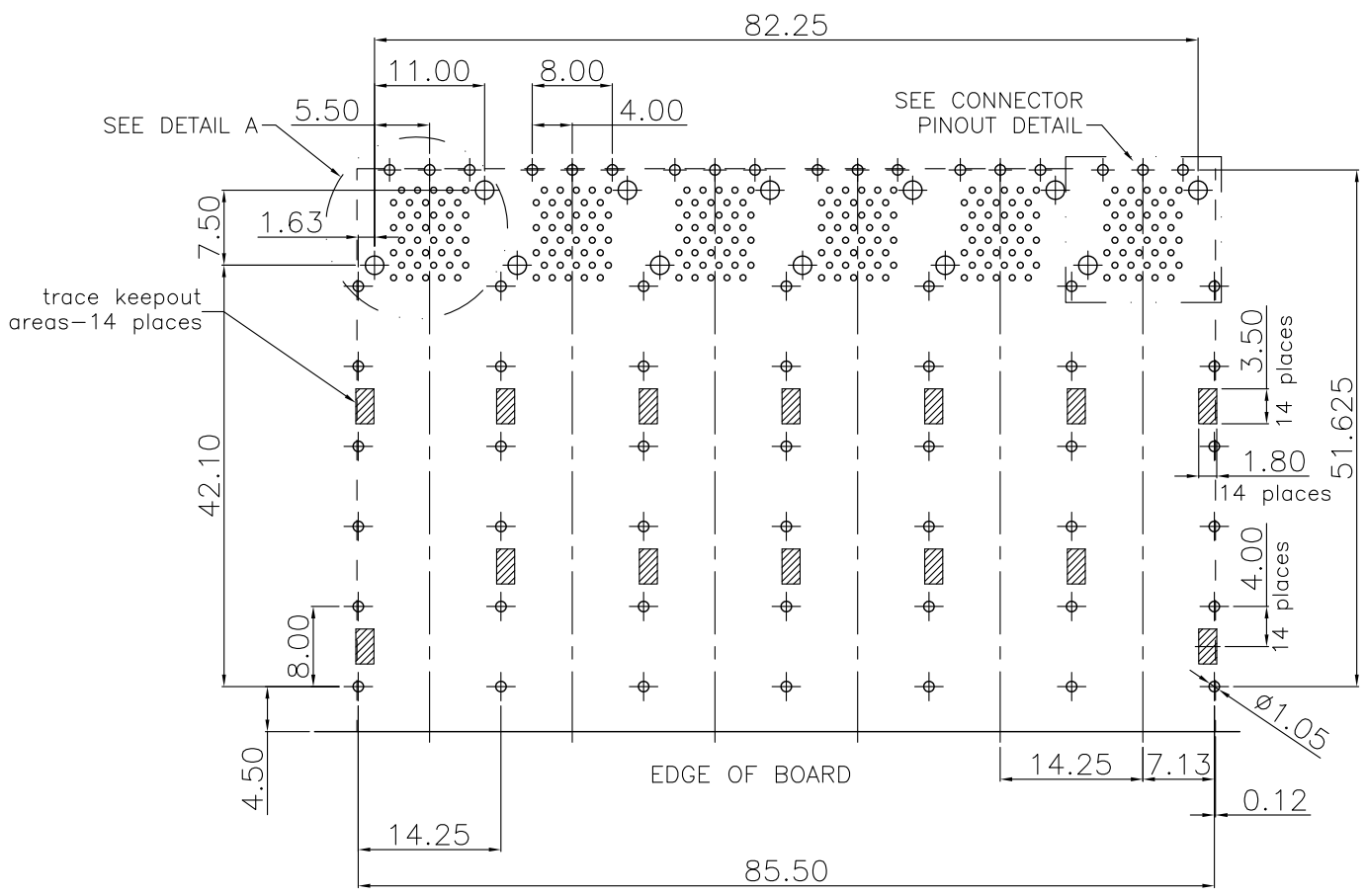
With Outer Light Pipes



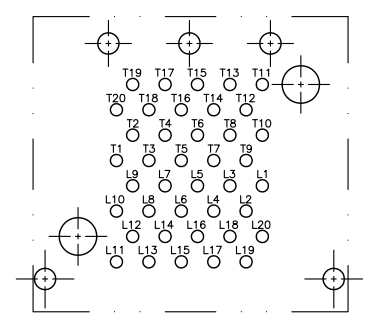
With Inner/Outer Light Pipes

Tolerances X. = ±0.50 .X = ±0.30 .XX = ±0.25	Dwg. No.	8952D00013		Title: 8952 Series SFP 2X6 Cage, R/A, Metal Shield Press Fit Type With Connector ①665	 OUPIIN ELECTRONIC(KUNSHAN) CO., LTD. P/N: 8952-A2X6C15PSxA	
	Date	⊕ ↙				
	Unit	mm	Scale			1/1
	Drawn By	Vivian 09/12'17				SHEET

REV.	SPECIFICATION	ECN NO.	APPD.



DETAIL A(SCALE 2:1)

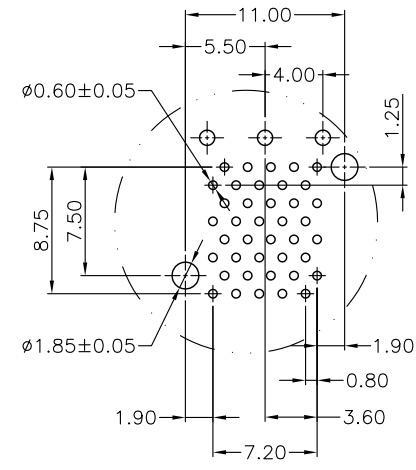
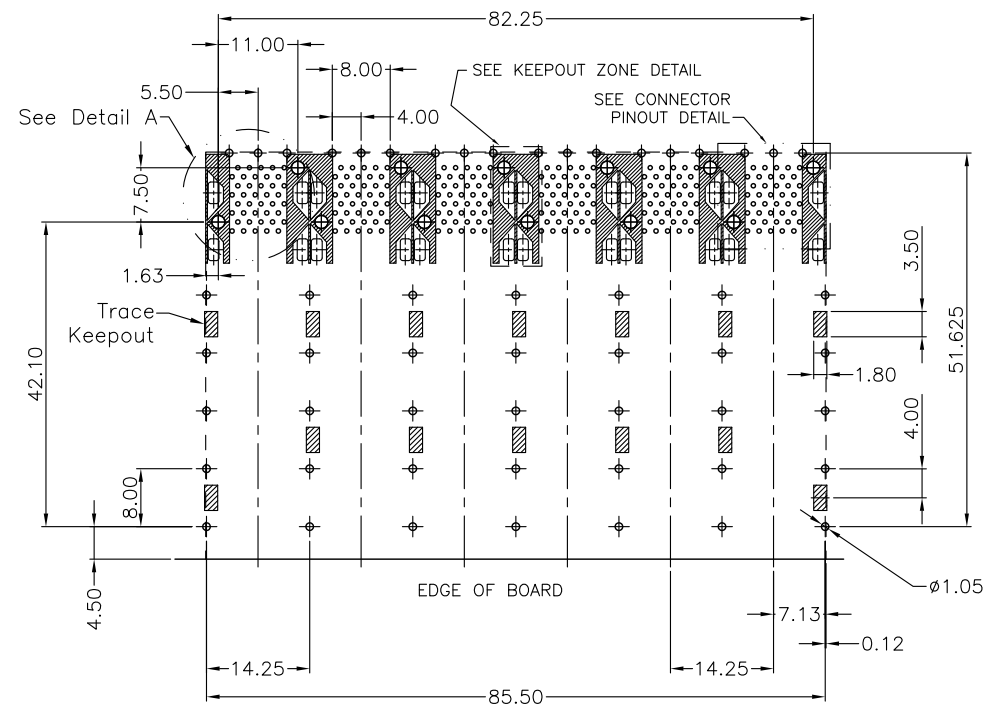


CONNECTOR PINOUT DETAIL
COMPONENT SIDE OF BOARD

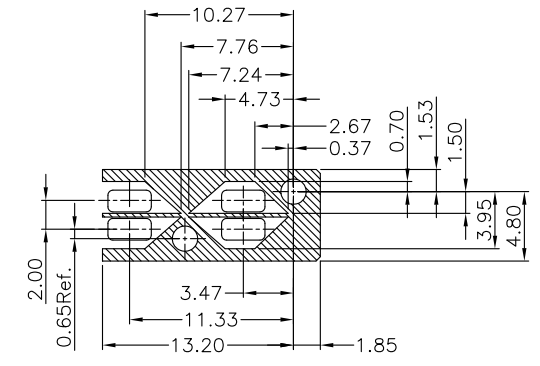
W/O Light Pipes

Tolerances X. = ±0.50 .X = ±0.30 .XX = ±0.25	Dwg. No.	8952D00013		Title: 8952 Series SFP 2X6 Cage, R/A, Metal Shield Press Fit Type With Connector ①665	OUPIN OUPIN ELECTRONIC(KUNSHAN) CO., LTD. P/N: 8952-A2X6C15PSxA	
	Date	☉ ☐				
	Unit	mm	Scale			1/1
	Drawn By	Vivian 09/12'17				
SHEET		3/4	Ver.No.	A2		

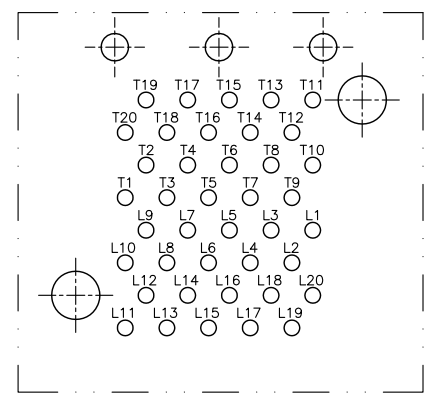
REV.	SPECIFICATION	ECN NO.	APPD.



Detail A
Scale 2:1



Detail-Lightpipe Location and Other Zones
SCALE 2:1



Connection Pinout Detail
Component Side of Board

With Light Pipes
Recommended P.C.Board Layout (Component Side)
P.C.Board Tolerance ± 0.05

Tolerances	Dwg. No.	8952D00013	
X. = ± 0.50	Date	\oplus \triangleleft	
.X = ± 0.30	Unit	mm	Scale 1/1
.XX = ± 0.25	Drawn By	Vivian 09/12'17	

Title: 8952 Series
SFP 2X6 Cage, R/A, Metal Shield
Press Fit Type With Connector
①665

OUPIN			
OUPIN ELECTRONIC(KUNSHAN) CO., LTD.			
P/N: 8952-A2X6C15PSxA			
SHEET	4/4	Ver.No.	A2