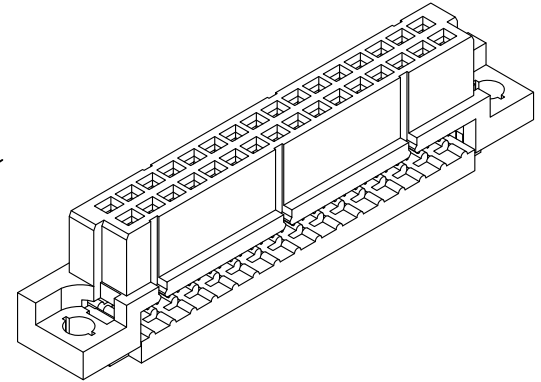
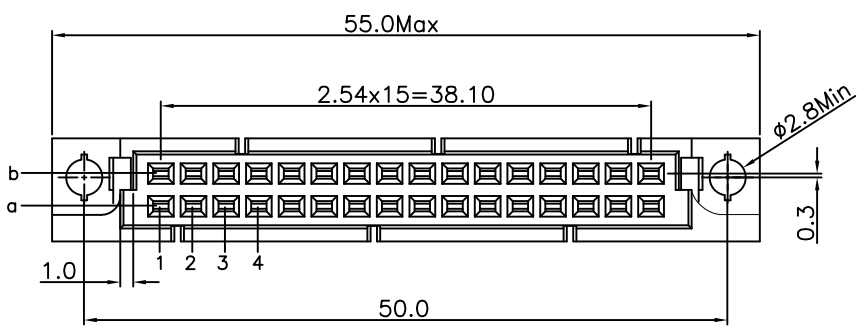


REV.	SPECIFICATION	ECN NO.	APPD.
R2		ECN200847	



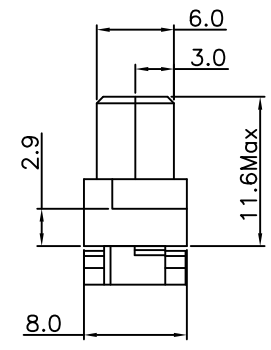
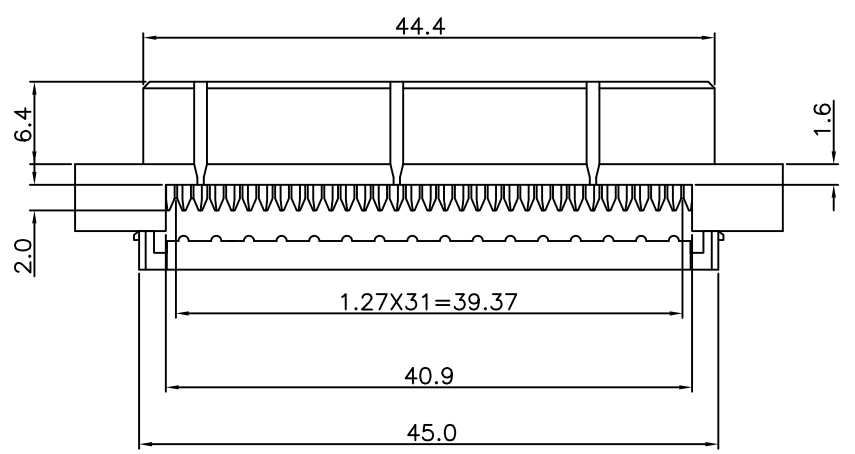
Material and Plating:

Housing: PBT, UL94V-0,Beige.
 Contacts: Copper Alloy.
 Gold Plated on contact Area and Wire Cutting Area over Nickel 50u"Min.
 Cover: PBT, UL94V-0,Beige.


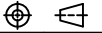
Electrical Characteristics:

Current Rating: 2 AMP.
 Dielectric Withstanding Voltage: AC 1000V For 1 minute.
 Insulator Resistance: 1000MΩmin. at DC 500V.
 Contact Resistance: 20mΩmax. at DC 100mA.
 Operating Temperature: -55°C ~ +125°C.

***RoHS Compliant**



9001- 3 6 32 IDC xx A
 Series ——— 00: G/F
 3: 2Row Insulators For 1.27 Cable ——— 10: 10u"
 6: Female ——— Position ——— 15: 15u"
 ——— 30: 30u"
 A: Tray Package

Tolerances	Dwg. No.	9001D36003	Title:		 OUPIN ELECTRONIC(KUNSHAN) CO., LTD. P/N: 9001-3632IDCxxA
x = ±0.5	Projection		9001 Series		
.x = ±0.25	Unit	mm	Scale	1:1	
.xx = ±0.15	Drawn By	SH 08/20'20	DIN41612 I.D.C		SHEET
			Type 2 Rows Female		1/1
					Ver.No.
					R2