

REV.	SPECIFICATION	ECN NO.	APPD.
R4		ECN180613	

Material and Plating:

Housing: PBT,Beige,UL94V-0.

Contacts: Brass.

A~F Terminal
Au+Pd/Ni or Gold Plated on Contact Area and 80u" Tin Plated on Solder Tail over Nickel 50u".

K~T Terminal

Gold Plated on Both end of Contact Area over Nickel 50u".

Electrical Characteristics:

Current Rating: 1 AMP.

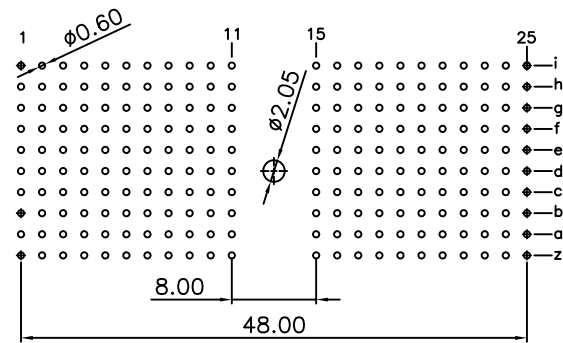
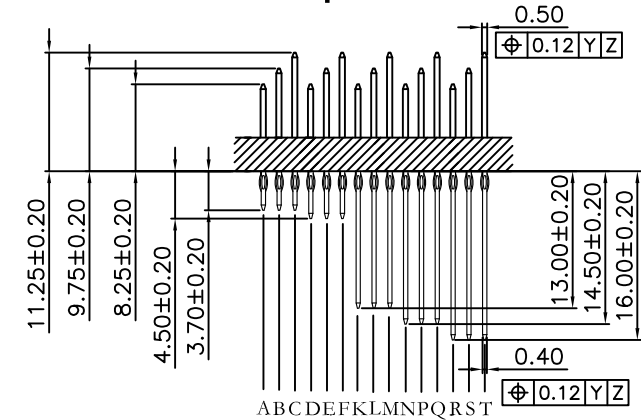
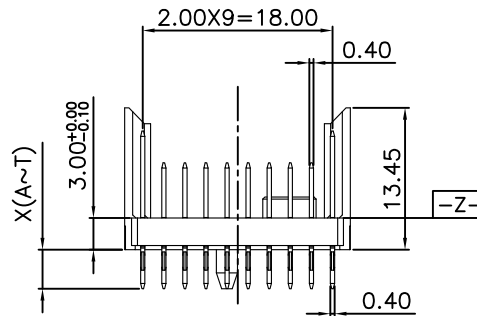
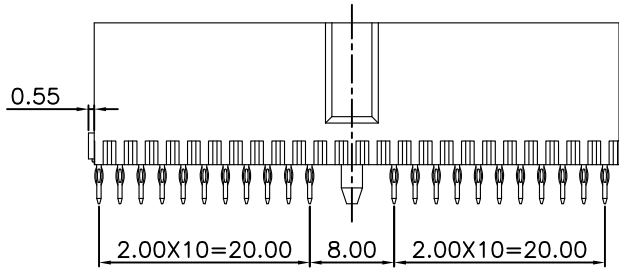
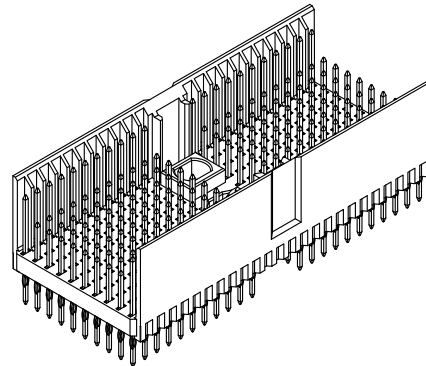
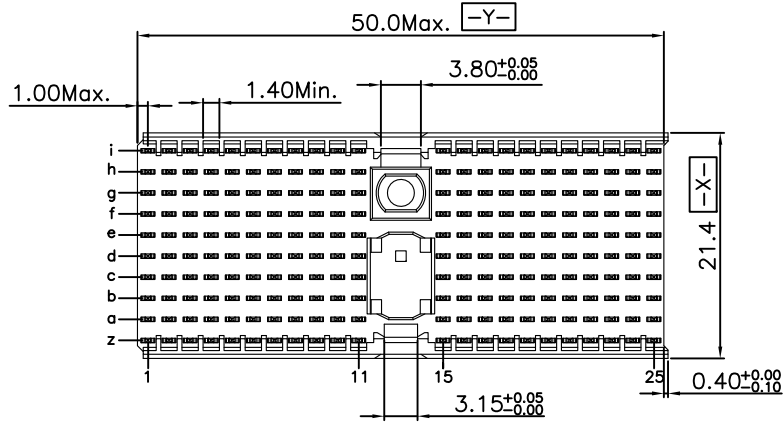
Dielectric Withstanding Voltage: AC 750V For 1 minute.

Insulator Resistance: 10000MΩ min. at DC 500V.

Contact Resistance: 20mΩ max. at DC 100mA.

Operating Temperature: -55°C~+125°C .

***RoHS Compliant**



P.C. Board Layout
(Tolerance:±0.05)

- 9111- 10 1 D 220 x C C xx U
- Series
- 10Row
- 1: Male
- D: Type D
- Housing Type
- Signal Pin(a~h Row)
- x: A~T Contact
- C: Dip Tin, Contact Gold
- CB: Dip Tin, Contact Au+Pd/Ni
- K~T Terminal
- Gold Plated on Both end of Contact Area
- Shield Pin(i,z Row)
- C:C Contact
- Blank:Without
- Shield Pin
- U: Tube Package
- 10: 10μ"
- 30: 30μ"
- A~F Terminal

Tolerances	Drawn No.	9111-D0000-001		Title:	9111 Series	
x = ±0.50	Projection	⊕ ◁		Hard Metric Connector		
.x = ±0.25	Unit	mm	Scale	Male Type D		
.xx = ±0.15	Drawn By	ZJ 06/05'18				

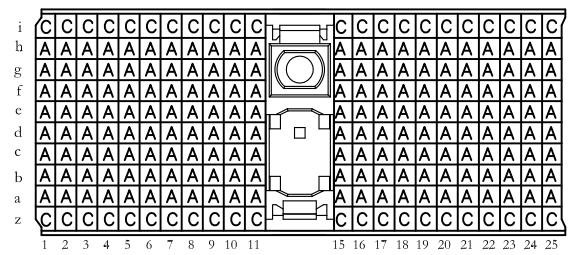
9111 Series
Hard Metric Connector
Male Type D

OUPIN
OUPIN ELECTRONIC(KUNSHAN) CO., LTD.
P/N: 9111-101D220xCCxxU

SHEET	1/2	Ver.No.	R4
-------	-----	---------	----

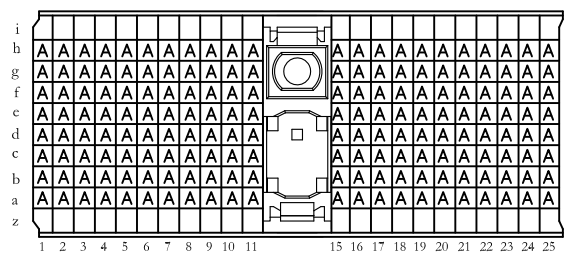
REV.	SPECIFICATION	ECN NO.	APPD.
R4		ECN180613	

CONTACT LAYOUT



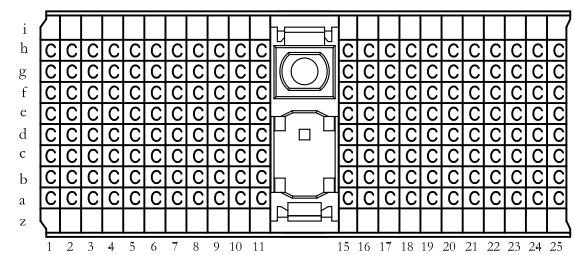
9111-101D220ACCxxU

CONTACT LAYOUT



9111-101D220ACxxU

CONTACT LAYOUT



9111-101D220CCBxxU

Tolerances	Drawn No.	9111-D0000-001
x = ±0.50	Projection	
.x = ±0.25	Unit	mm
.xx = ±0.15	Scale	1:1
	Drawn By	ZJ 06/05'18

Title: 9111 Series
Hard Metric Connector
Male Type D



OUPIIN ELECTRONIC(KUNSHAN) CO., LTD.

P/N: 9111-101D220xCCxxU

SHEET	2/2	Ver.No.	R4
-------	-----	---------	----