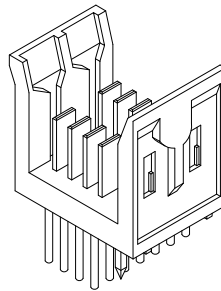
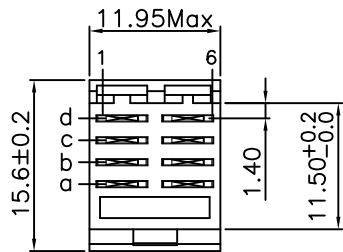


REV.	SPECIFICATION	ECN NO.	APPD.
R5		ECN140707	



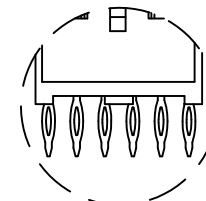
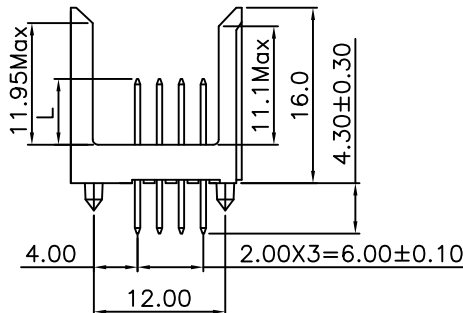
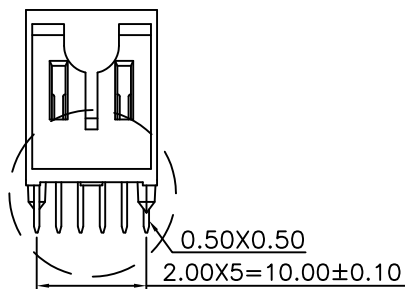
Material:

Housing: High Temperature Plastic UL94V-0.
 Contacts: Copper Alloy

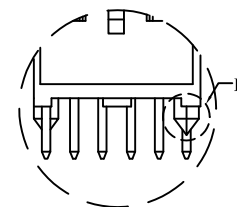
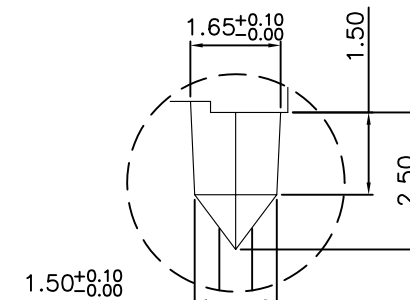
Electrical Characteristics:

Current Rating: 3 AMP.
 Dielectric Withstanding Voltage: AC 1000V For 1 minute.
 Insulator Resistance: 1000MΩ min. at DC 500V.
 Contact Resistance: 30mΩ max. at DC 100mA.
 Operating Temperature: -55°C ~ +125°C .

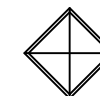
***RoHS Compliant**



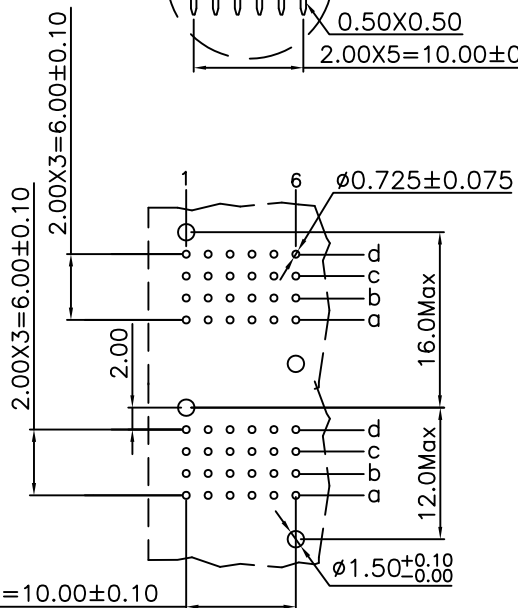
Press Fit Type



Dip Type



Detail K
Scale:5:1



P.C.Board Layout
(Tolerance:±0.05)

Series 9111-4 3 08 x C xx x U
 4: 4Rows
 3: Male Power
 Position
 A:(A,B,E) Dip Length
 U: Tube Package
 D: Dip Type
 P: Press Fit Type
 10: 10 μ"
 30: 30 μ"
 C: Dip Tin Contact Gold
 G: Gold Plated

P/N.	L
9111-4308ACxxxU	6.5
9111-4308BCxxxU	7.25
9111-4308ECxxxU	8.0

Tolerances	Dwg. No.	9111D43001		Title:	9111 Series			
	x = ±0.5	Projection			H.D.2.0mm(0.079") Futurebus(+)			
.x = ±0.25	Unit	mm	Scale	1:1	 OUPIIN ELECTRONIC(KUNSHAN) CO., LTD. P/N: 9111-4308CxxxU			
.xx = ±0.15	Drawn By	YQ 10/08'14	SHEET					