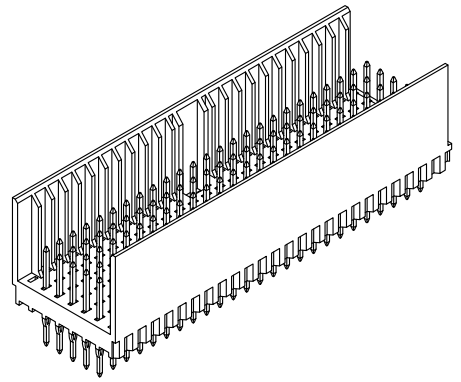
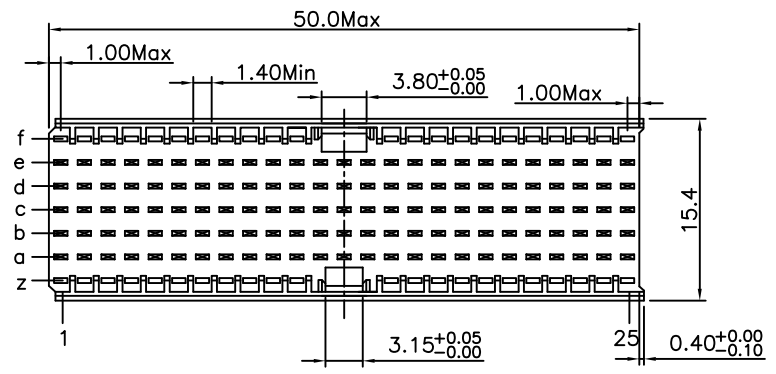


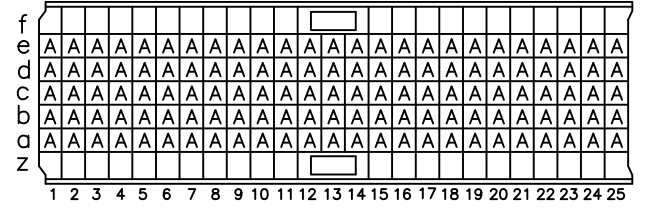
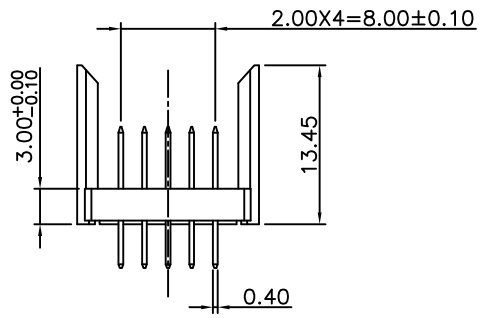
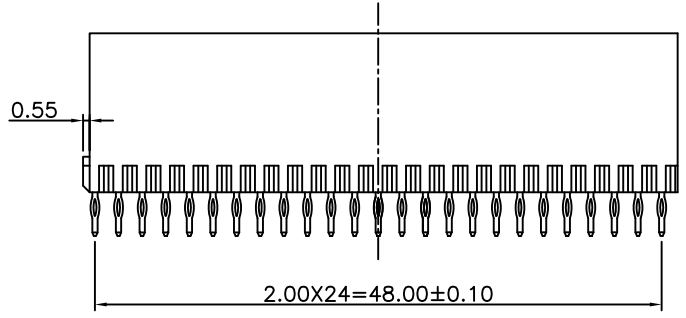
1 2 3 4 5 6 7 8 9 10 11 12

REV.	SPECIFICATION	ECN NO.	APPD.
R3			

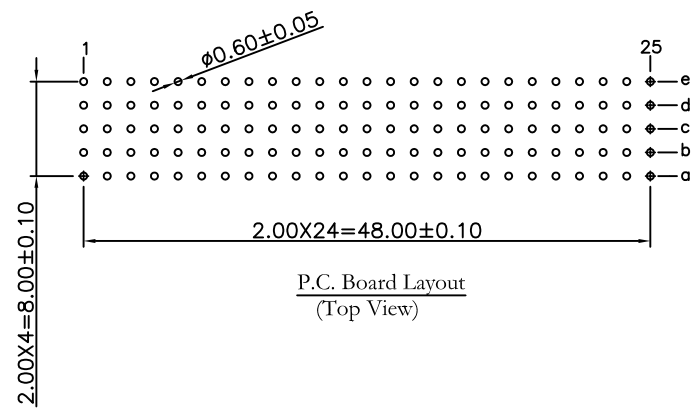
A  
B  
C  
D  
E  
F  
G  
H



**Material:**  
Housing: Thermoplastic Polyester Glass Filled UL94V-0  
Contacts: Copper Alloy.  
**Electrical Characteristics:**  
Current Rating: 1 AMP.  
Dielectric Withstanding Voltage: AC 750V For 1 minute.  
Insulator Resistance: 10000MΩ min.at DC 500V.  
Contact Resistance: 20mΩ max.at DC 100mA.  
Operating Temperature: -55°C ~ +125°C.  
**\*RoHS Compliant**

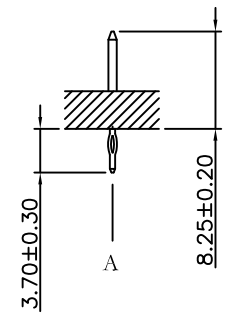


CONTACT LAYOUT



P.C. Board Layout  
(Top View)

9111- 7 1 AB 169 A C xx U  
Series — 7Row — 1: Male — AB: Type AB — Housing Type — A: A Option — U: Tube Package — 10: 10 μm — 30: 30 μm — C: Dip Tin — Contact Gold — G: Gold



Tolerances	Dwg. No.	9111D71068		Title:	
x = ±0.5	Projection	⊕ ⊖		9111 Series Hard Metric Connectors Male Type AB-25	
.x = ±0.25	Unit	mm	Scale		1:1
.xx = ±0.15	Drawn By	Zhu QL 08/15'12			

9111 Series  
Hard Metric  
Connectors Male  
Type AB-25

<b>OUPIN</b>			
OUPIN ELECTRONIC(KUNSHAN) CO., LTD.			
P/N: 9111-71AB169ACxxU			
SHEET	1/1	Ver.No.	R3

1 2 3 4 5 6 7 8 9 10 11 12