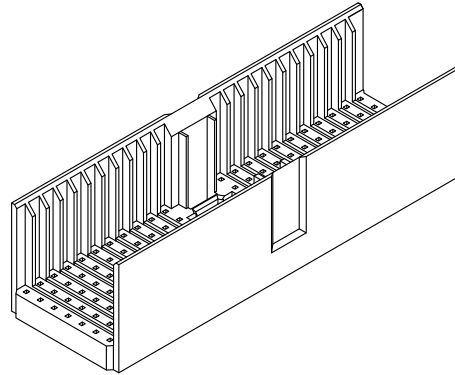
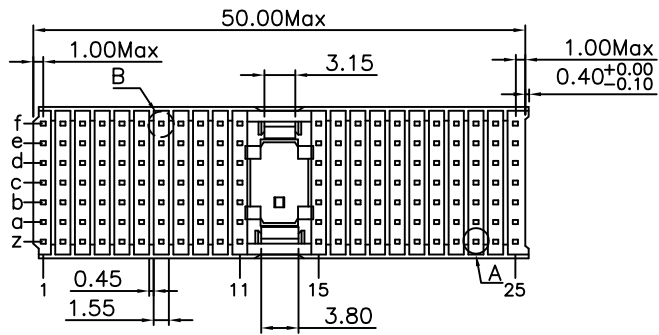


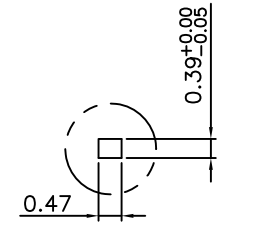
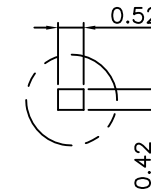
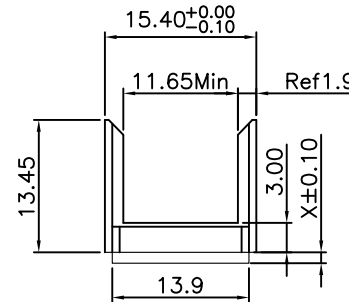
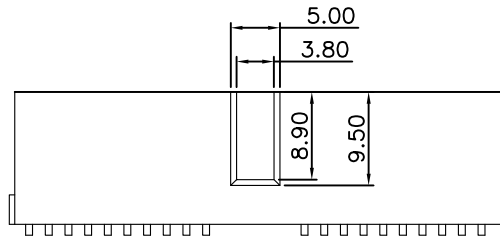
REV.	SPECIFICATION	ECN NO.	APPD.
R3		ECN121231	



Material:
Housing: Thermoplastic Polyester Glass Filled UL94V-0

Electrical Characteristics:
Dielectric Withstanding Voltage: AC 750V For 1 minute.
Insulator Resistance: 10000MΩ min.at DC 500V.
Operating Temperature: -55°C ~ +125°C.

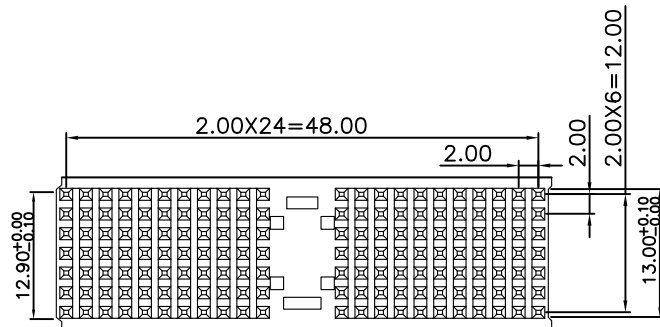
***RoHS Compliant**



Detail A

Detail B

(4, 5, 6, 7, 23, 24, 25P)



9111- 7 1 A 02 xx B
 Series | 7: 7Row | 1: Male | A: Type A | 02: 02line | B: Bulk Package | U: Tube Package

X	Length
00	0.00
01	0.90
02	1.10
03	1.30
04	1.50
05	1.70
06	1.90
07	2.20
08	3.00

Tolerances	Dwg. No.	9111D71164
x = ±0.5	Projection	
.x = ±0.25	Unit	mm
.xx = ±0.15	Scale	1:1
	Drawn By	CQ 12/14'12

Title: 9111 Series
2.00 Hard Metric
connectors shrouds
type A Housing

OUPIN			
OUPIN ELECTRONIC(KUNSHAN) CO., LTD.			
P/N: 9111-71A02xxB			
SHEET	1/1	Ver.No.	R3