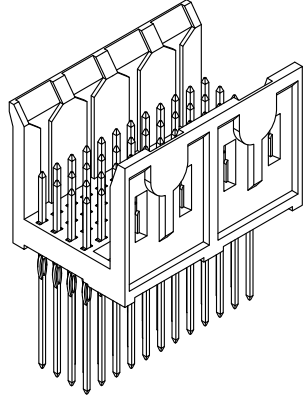
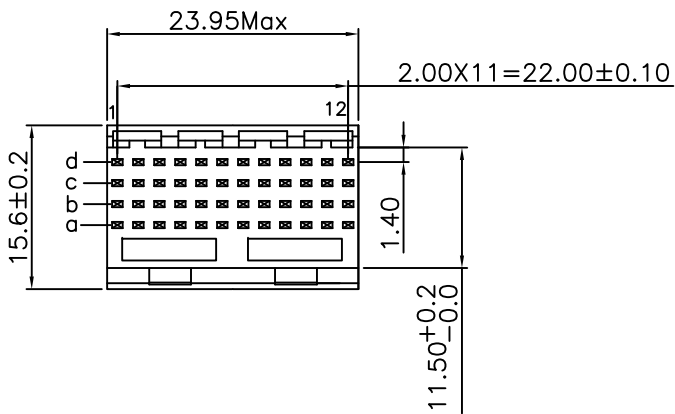


REV.	SPECIFICATION	ECN NO.	APPD.
R2		ECN140707	



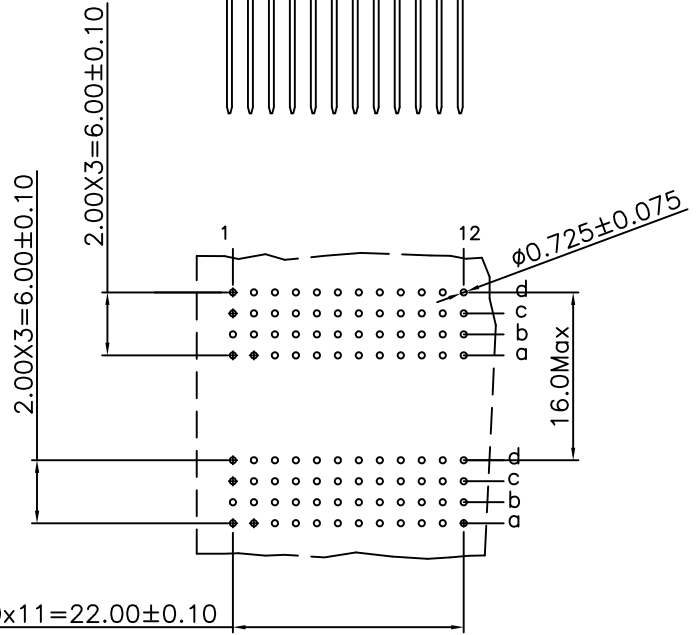
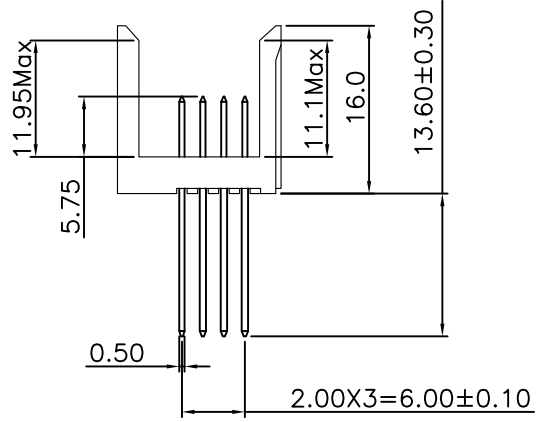
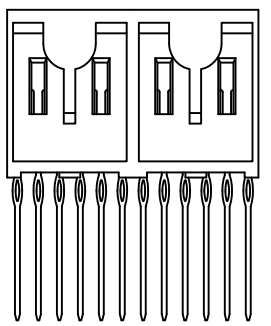
Material:

Housing: High Temperature Plastic UL94V-0
 Contacts: Copper Alloy.

Electrical Characteristics:

Current Rating: 1 AMP.
 Dielectric Withstanding Voltage: AC 1000V For 1 minute.
 Insulator Resistance: 1000MΩ min. at DC 500V.
 Contact Resistance: 30mΩ max. at DC 100mA.
 Operating Temperature: -55°C~+125°C .

***RoHS Compliant**



P.C. Board Layout

9111- 4 1 48 K G 30 P U
 Series 4: 4Rows 1: Male Signal Position K: K Type G: Gold Plated 30: 30μ" P: Press Fit Type U: Tube Package

Tolerances	Dwg. No.	9111D41011		Title:	
x = ±0.5	Projection	⊕ ⊖		9111 Series	
.x = ±0.25	Unit	mm	Scale	H.D. Male 2.0mm	
.xx = ±0.15	Drawn By	YQ 08/28'14		Press Fit Type	

OUPIN			
OUPIN ELECTRONIC(KUNSHAN) CO., LTD.			
P/N: 9111-4148KG30PU			
SHEET	1/1	Ver.No.	R2