

REV.	SPECIFICATION	ECN NO.	APPD.
R3			

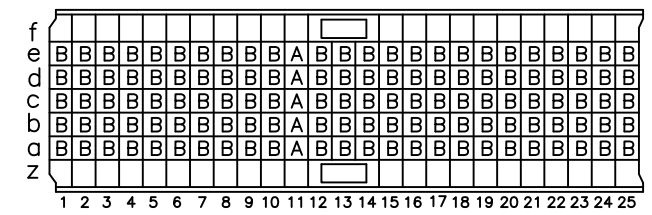
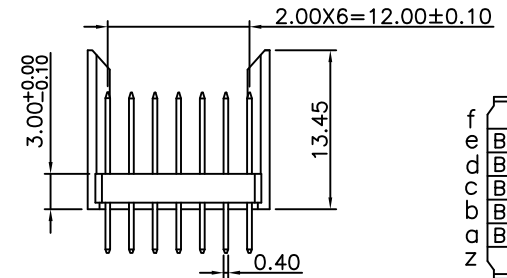
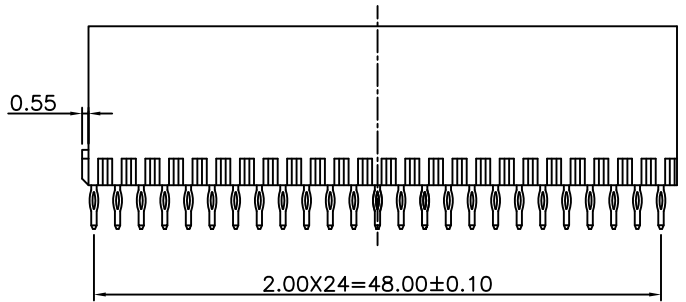
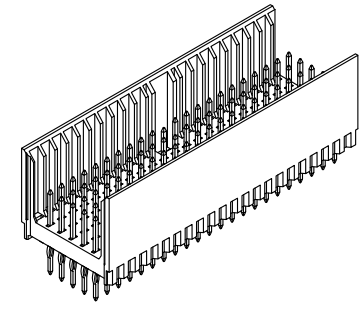
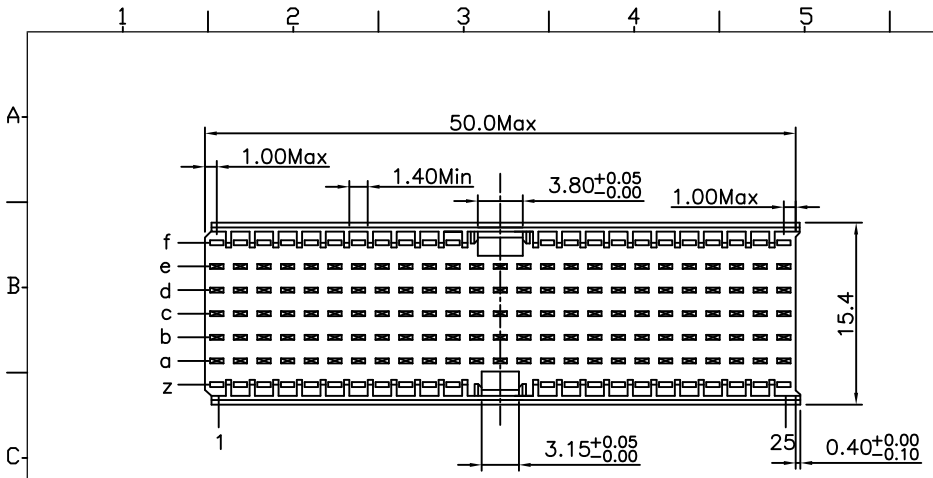
Material:

Housing: Thermoplastic Polyester Glass Filled UL94V-0
 Contacts: Copper Alloy.

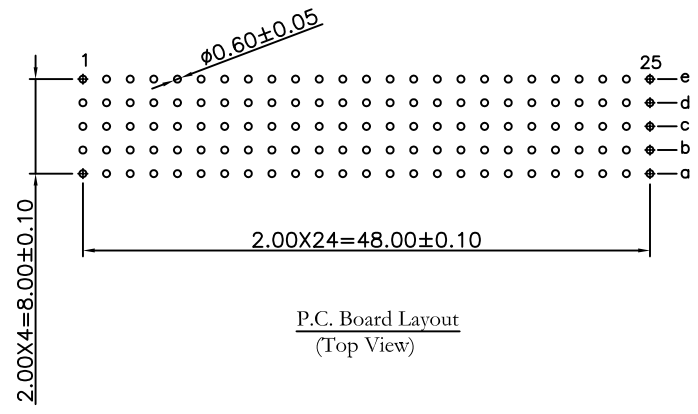
Electrical Characteristics:

Current Rating: 1 AMP.
 Dielectric Withstanding Voltage: AC 750V For 1 minute.
 Insulator Resistance: 10000MΩ min.at DC 500V.
 Contact Resistance: 20mΩ max.at DC 100mA.
 Operating Temperature: -55°C ~ +125°C.

***RoHS Compliant**

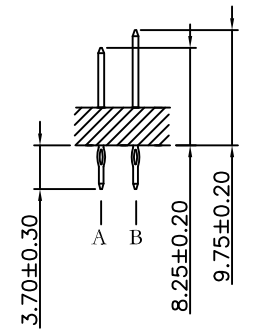



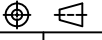
CONTACT LAYOUT



P.C. Board Layout
(Top View)

9111- 7 1 AB 169 N C xx U
 Series | 7Row | 1: Male | AB: Type AB | Housing Type | N: N Option | U: Tube Package | Contact Gold | G: Gold



Tolerances	Dwg. No.	9111D71181	Title:		 OUPIN ELECTRONIC(KUNSHAN) CO., LTD. P/N: 9111-71AB169NCxxU SHEET 1/1 Ver.No. R3
x = ±0.5	Projection		9111 Series		
.x = ±0.25	Unit mm	Scale	2.00 Hard Metric Connectors Male		
.xx = ±0.15	Drawn By	Zhu QL 08/15'12	Type AB-25		