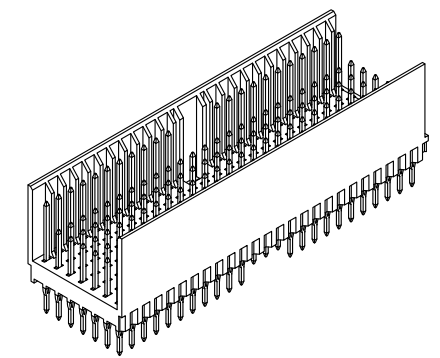
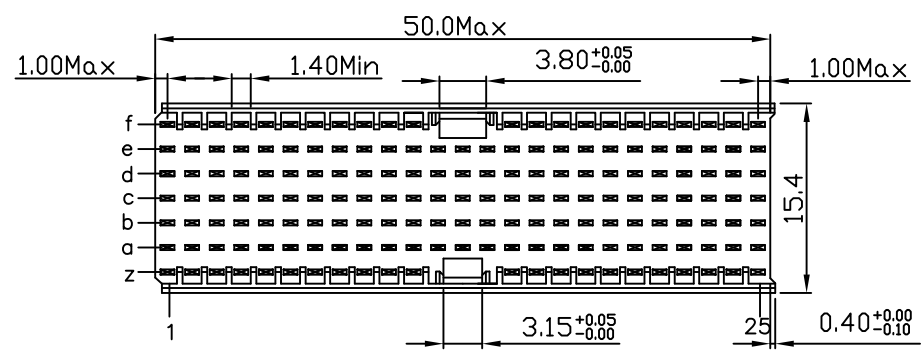


REV.	SPECIFICATION	ECN NO.	APPD.
R1		ECN180347	



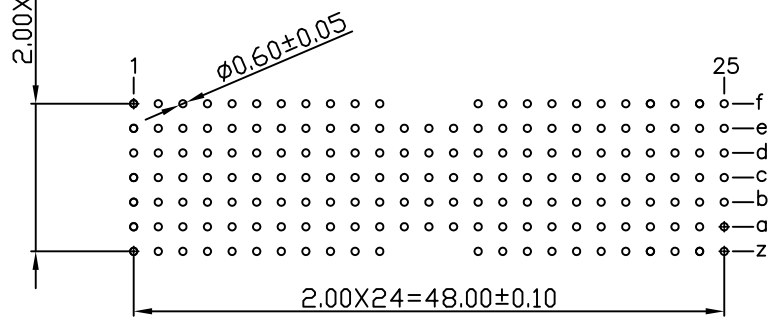
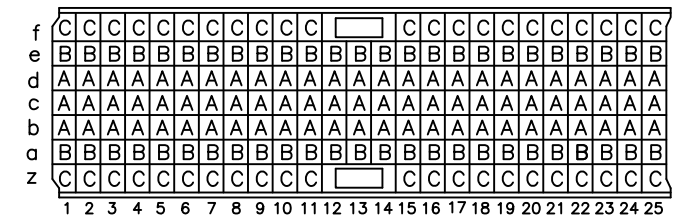
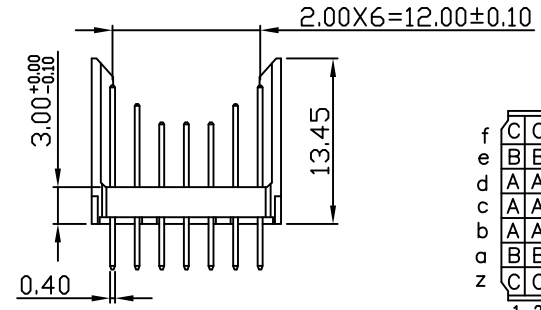
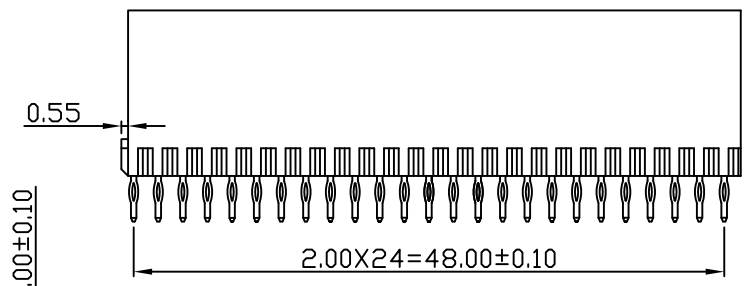
Material and Plating:

Housing: PBT, UL94V-0, Beige .
 Contacts: Brass .
 Gold Plated on Contact Area and 80u" Min Tin Plated on Press Fit over Nickel 50u" Min .

Electrical Characteristics:

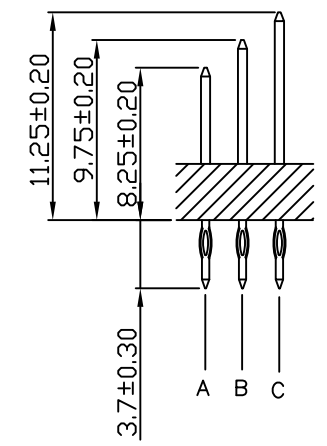
Current Rating: 1 AMP.
 Dielectric Withstanding Voltage: AC 750V For 1 minute.
 Insulator Resistance: 10000MΩ min.at DC 500V.
 Contact Resistance: 20mΩ max.at DC 100mA.
 Operating Temperature: -55°C ~ +125°C .

***RoHS Compliant**



P.C. Board Layout
(Top View)

9111- 7 1 AB 169 J C xx U
 Series | 7Row | 1: Male | AB: Type AB | Housing Type | J: J Option | U: Tube Package | 10: 10 u" | 30: 30 u" | C: Dip Tin | Contact Gold | G: Gold



Tolerances	Dwg. No.	9111D71227	Title:	9111 Series	 OUPIIN ELECTRONIC(KUNSHAN) CO., LTD. P/N: 9111-71AB169JCxxU SHEET 1/1 Ver.No. R1
x = ±0.5	Projection		2.00 Hard Metric		
.x = ±0.25	Unit	mm	Scale 1:1		
.xx = ±0.15	Drawn By	MXM 03/28'18	Connectors Male		
			Type AB-25		