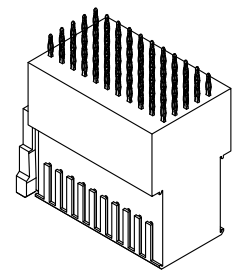
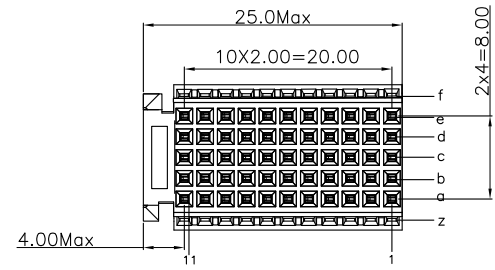


REV.	SPECIFICATION	ECN NO.	APPD.
R1		ECN180614	



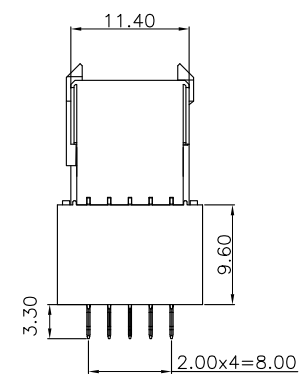
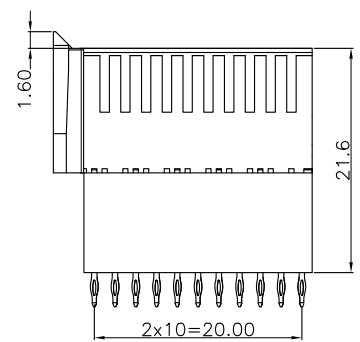
**Material and Plating:**

Housing: LCP, UL94V-0, Ivory .  
 Signal Contacts : Phosphor Bronze .  
 30u" Au+Pd/Ni on Contact Area and 80u" Min Tin Plated on Solder Tail over Nickel 50u" Min .

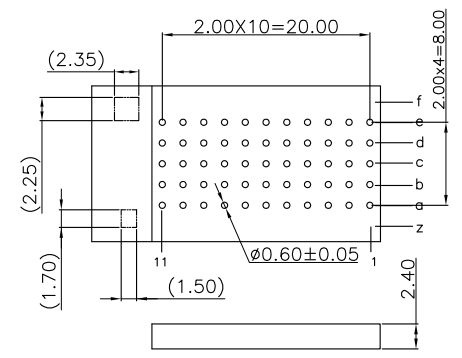
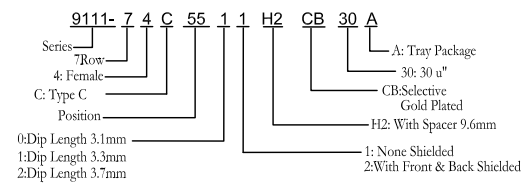
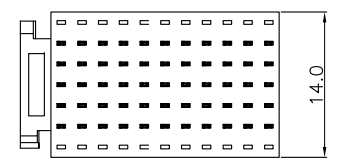
**Electrical Characteristics:**

Current Rating: 1.0A for signal pin.  
 Dielectric Withstanding Voltage: AC 750V For 1 minute.  
 Insulator Resistance: 10000MΩ min. at DC 500V.  
 Contact Resistance: 20mΩ max. at DC 100mA.  
 Operating Temperature: -55°C ~ +125°C .

**\*RoHS Compliant**



None Shielded



P.C.Board Layout  
(Tolerance: ±0.05)

Tolerances	Dwg. No.	9111-D0000-041		Title:	9111 Series	
x = ±0.5	Projection			Hard Metric Connector		 OUPIIN ELECTRONIC(KUNSHAN) CO., LTD. P/N: 9111-74C5511H2CB30A
.x = ±0.25	Unit	mm	Scale	1:1	SHEET	
.xx = ±0.15	Drawn By	ZJ 05/15'18		Ver.No.	1/1	

9111 Series  
 Hard Metric Connector  
 Female Straight Type C

SHEET	1/1	Ver.No.	R1
-------	-----	---------	----