

REV.	SPECIFICATION	ECN NO.	APPD.
R1			

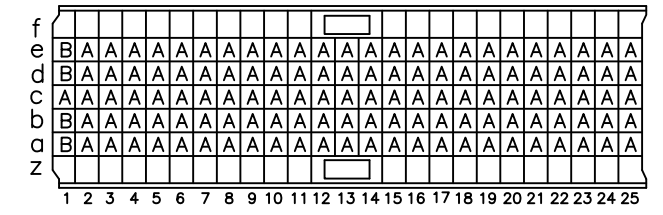
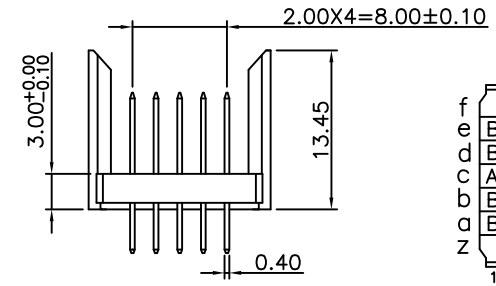
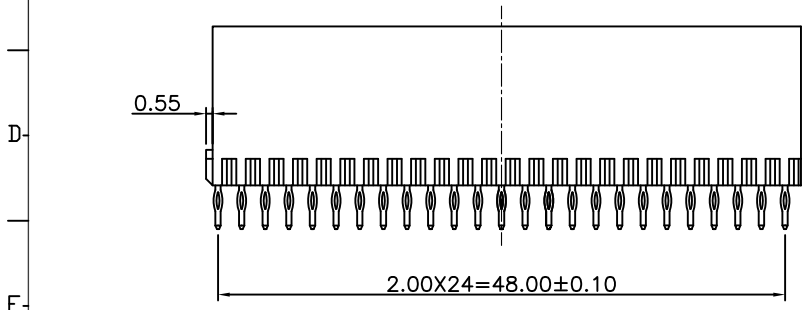
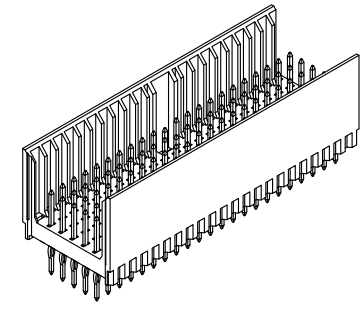
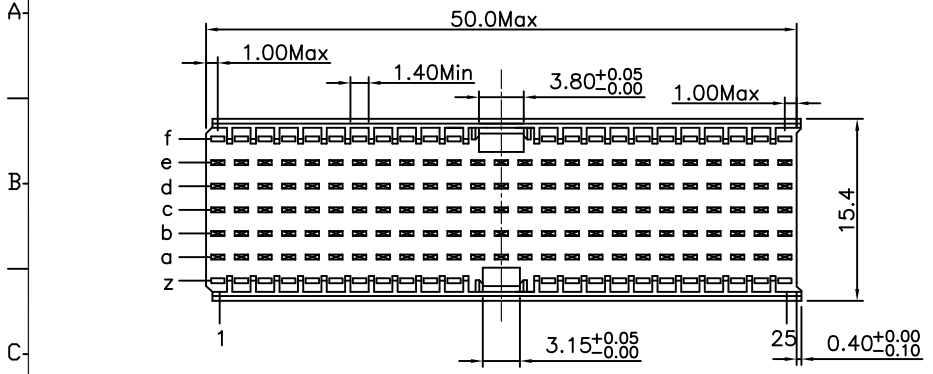
**Material:**

Housing: Thermoplastic Polyester Glass Filled UL94V-0.  
 Contacts: Copper Alloy

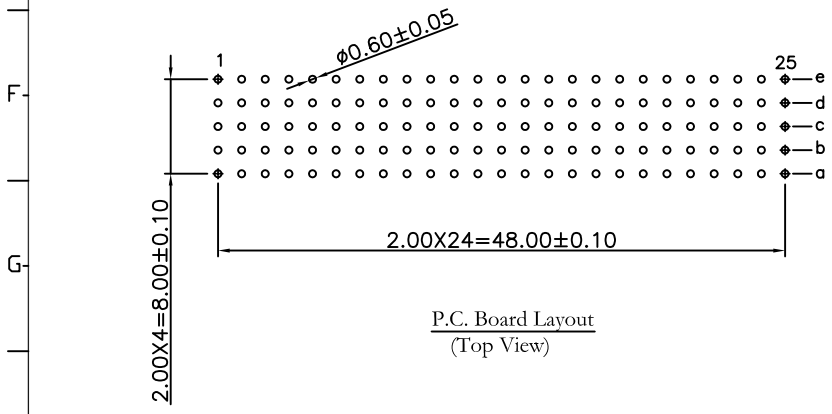
**Electrical Characteristics:**

Current Rating: 1 AMP.  
 Dielectric Withstanding Voltage: AC 750V For 1 minute.  
 Insulator Resistance: 10000MΩ min.at DC 500V.  
 Contact Resistance: 20mΩ max.at DC 100mA.  
 Operating Temperature: -55°C ~ +125°C.

**\*RoHS Compliant**

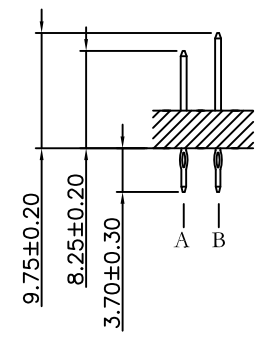


CONTACT LAYOUT



P.C. Board Layout  
(Top View)

9111- 7 1 AB 169 R C xx U  
 Series  
 7Row  
 1: Male  
 AB: Type AB  
 Housing Type  
 R: R Option  
 U: Tube Package  
 10: 10 u"  
 30: 30 u"  
 C: Dip Tin  
 Contact Gold  
 G: Gold  
 CB: Dip Tin  
 Contact Au+Pd/Ni



Tolerances	Drawn No.	9111D71199		Title:	
x = ±0.5	Projection	⊕ ⊖		9111 Series	
.x = ±0.25	Unit	mm	Scale	2.00 Hard Metric	
.xx = ±0.15	Drawn By	Kunlun 11/02'09		Connectors Male	
				Type AB-25	

9111 Series  
 2.00 Hard Metric  
 Connectors Male  
 Type AB-25

<b>OUPIN</b>			
OUPIN ELECTRONIC(KUNSHAN) CO., LTD.			
P/N: 9111-71AB169RCxxU			
SHEET	1/1	Ver.No.	R1