

REV.	SPECIFICATION	ECN NO.	APPD.
R1		ECN171138	

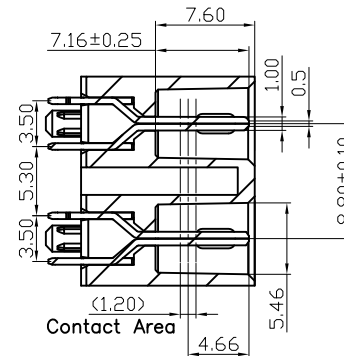
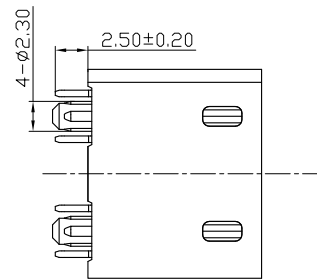
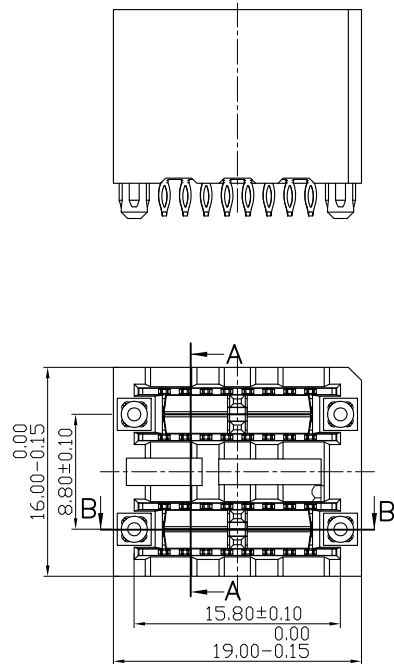
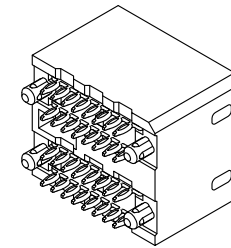
**Material and Plating:**

Housing: LCP, UL94V-0, BLACK .  
 Power Contacts: High conductivity copper.  
 30u" Au+Pd/Ni on Contact Area and 80u" Min Tin  
 Plated on Solder Tail over Nickel 50u" Min .

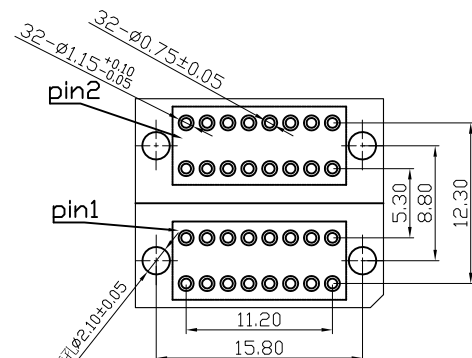
**Electrical Characteristics:**

Current Rating: Power:75AMP.  
 Dielectric Withstanding Voltage:  
 Power:AC 1500V For 1 minute.  
 Insulator Resistance:  
 Power:1500MΩ min. at DC 500V.  
 Contact Resistance: Power: 0.7mΩ max.  
 0.3mΩ min  
 Operating Temperature: -55°C ~+105°C .

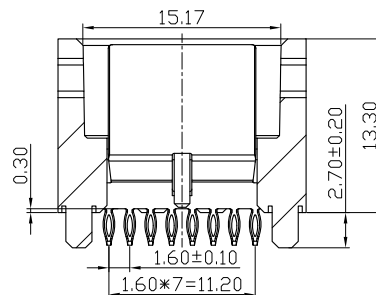
**\*RoHS Compliant**



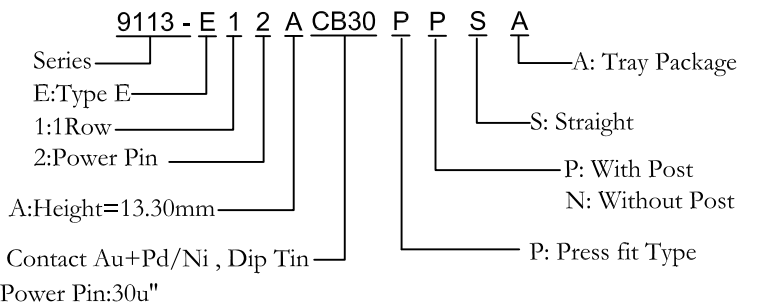
SECTION: A-A  
SCALE:1 : 1



P.C. Board Layout (Press Fit Type)  
(Tolerance:±0.05)



SECTION: B-B  
SCALE:1 : 1



CB30: Contact Au+Pd/Ni , Dip Tin  
 Power Pin:30u"

Tolerances	Dwg. No.	9113-D0000-030		Title:	9113 Series POWER CONNECTOR	
x=±0.5	Projection	⊕ ⊖				
.x=±0.25	Unit	mm	Scale	1:1		
.xx=±0.15	Drawn By	MXM 12/19'17				

<b>OUPIN</b>			
OUPIN ELECTRONIC(KUNSHAN) CO., LTD.			
P/N: 9113-E12ACB30PPSA			
SHEET	1/1	Ver.No.	R1