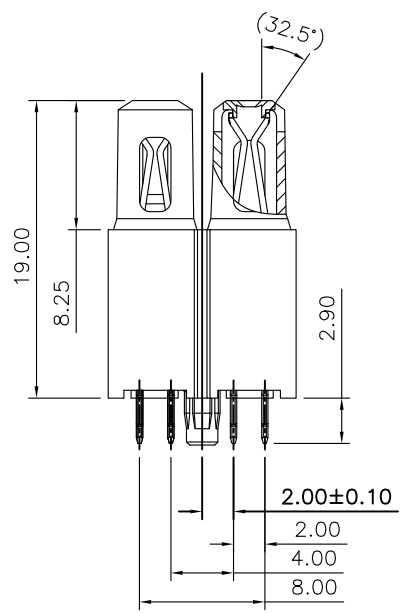
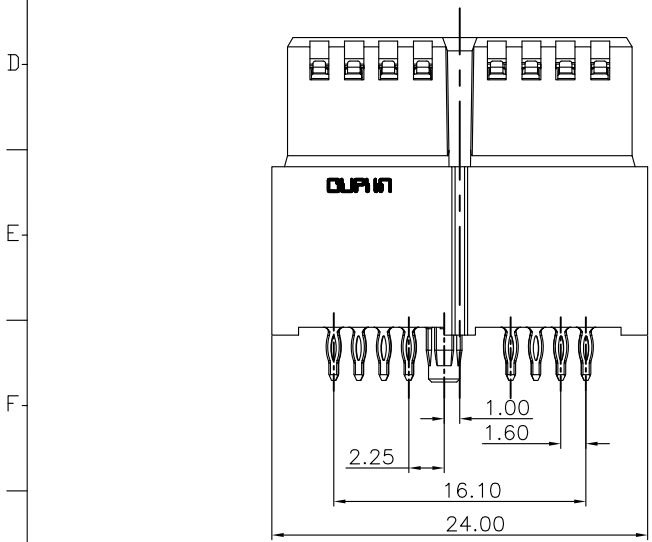
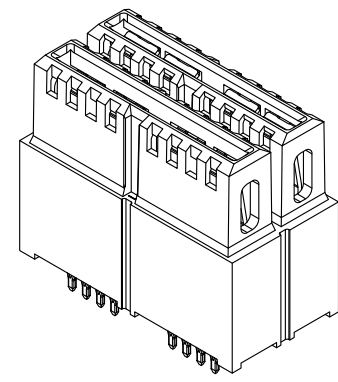
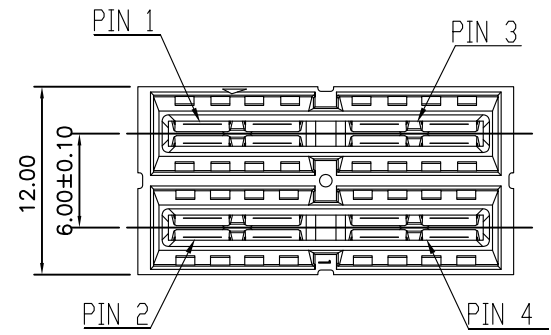


REV.	SPECIFICATION	ECN NO.	APPD.
R2		ECN160619	

Material:
Housing: High Temperature Plastic UL94V-0 .
Contacts: C18400.
Electrical Characteristics:
Current Rating: 35 AMP(2oz*2);45AMP(2oz*4).
Dielectric Withstanding Voltage: AC 1500V For 1 minute.
Insulator Resistance: 1500MΩ min. at DC 500V.
Contact Resistance: 0.5mΩ max. at DC 20mA.
Operating Temperature: -55°C~+125°C.
***RoHS Compliant**
Plating:
Terminal:Contact Area:Gold flash over minimum Au(3u")+Pd/Ni(27u")
Press Fit:Matten Tin Plating:80~160u"



Series 9114-B 2 2 A CB 30 P P A 01

- 01:Flow Codes
- A:Tray Package
- P: With Post
- N: Without Post
- P: Press fit Type
- 30:30u"
- CB: Contact Au+Pd/Ni Dip Tin
- 2: Power Pin
- 2:2Row
- A:Type A
- B:Type B

Type No.	Product No.
 Long PIN	 Short PIN
	9114-B22ACB30PPA01
	9114-B22BCB30PPA01

Tolerances	Dwg. No.	9114-D0000-008	Title:	
x = ±0.5	Projection		9114 Series	
.x = ±0.25	Unit	mm	Scale	1:1
.xx = ±0.15	Drawn By	YW 6/23'16	Female power connector	

OUPIN			
OUPIN ELECTRONIC(KUNSHAN) CO., LTD.			
P/N: 9114-B22ACB30PPA01			
SHEET	1/2	Ver. No.	R2

REV.	SPECIFICATION	ECN NO.	APPD.
R2		ECN160619	

Material:

Housing: High Temperature Plastic UL94V-0 .

Contacts: C18400.

Electrical Characteristics:

Current Rating: 35 AMP(2oz*2);45AMP(2oz*4).

Dielectric Withstanding Voltage: AC 1500V For 1 minute.

Insulator Resistance: 1500MΩ min. at DC 500V.

Contact Resistance: 0.5mΩ max. at DC 20mA.

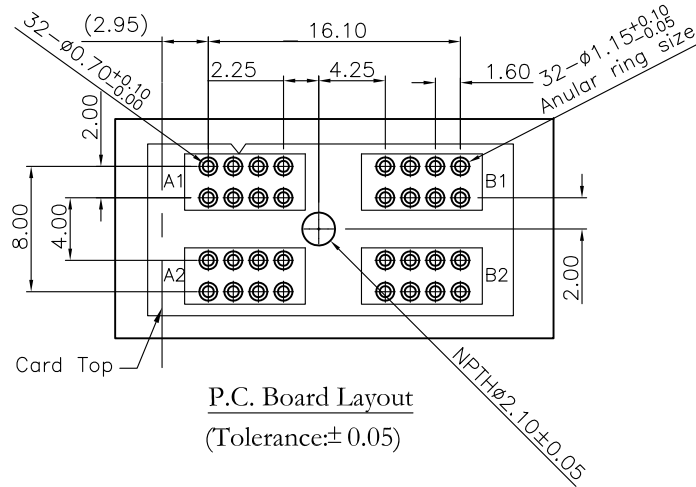
Operating Temperature: -55°C~+125°C.

***RoHS Compliant**

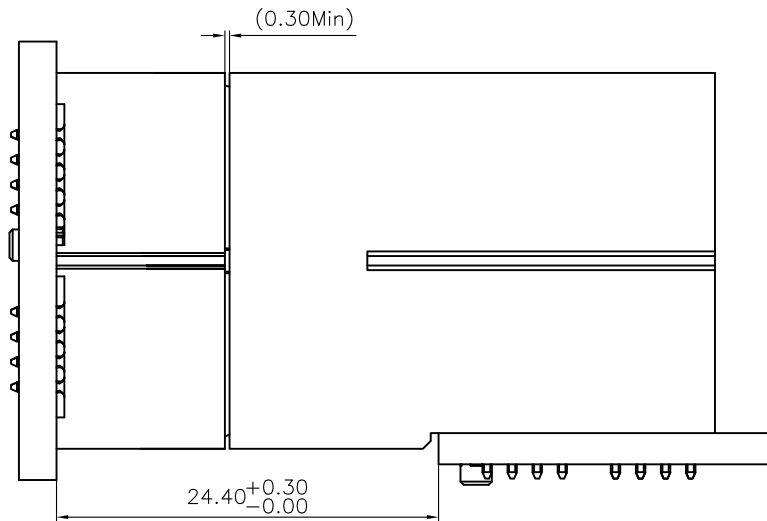
Plating:

Terminal:Contact Area:Gold flash over minimum Au(3u")+Pd/Ni(27u")

Press Fit:Matten Tin Plating:80~160u"



P.C. Board Layout
(Tolerance:± 0.05)



Series 9114 -B 2 2 A CB 30 P P A 01

01:Flow Codes
A:Tray Package
P: With Post
N: Without Post
P: Press fit Type
30:30u"

2: Power Pin
A:Type A
B:Type B
CB: Contact Au+Pd/Ni Dip Tin

Type No.	Product No.
	9114-B22ACB30PPA01
	9114-B22BCB30PPA01

Tolerances	Dwg. No.	9114-D0000-008
x = ±0.5	Projection	
.x = ±0.25	Unit	mm
.xx = ±0.15	Scale	1:1
	Drawn By	YW 6/23'16

Title:
9114 Series
Female power connector

OUPIN			
OUPIN ELECTRONIC(KUNSHAN) CO., LTD.			
P/N: 9114-B22ACB30PPA01			
SHEET	2/2	Ver. No.	R2