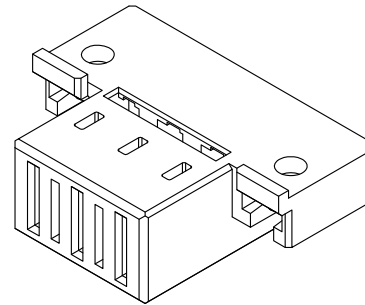
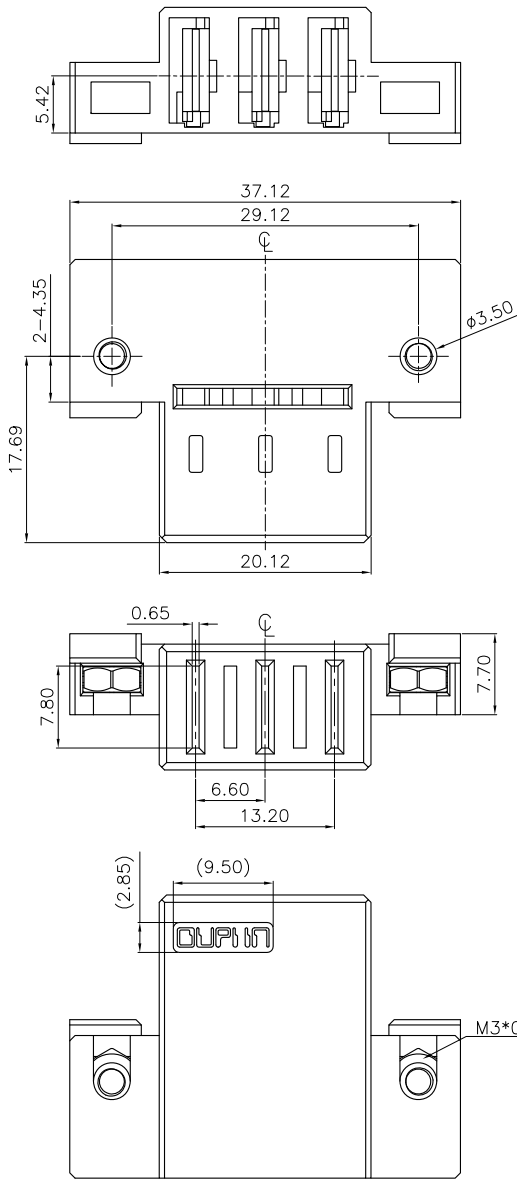


REV.	SPECIFICATION	ECN NO.	APPD.
R1		ECN201102	



**Material :**

Housing: LCP, UL94V-0 , BLACK.


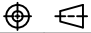
**Electrical Characteristics:**

Operating Temperature: -20°C ~+105°C .

**\*RoHS Compliant**

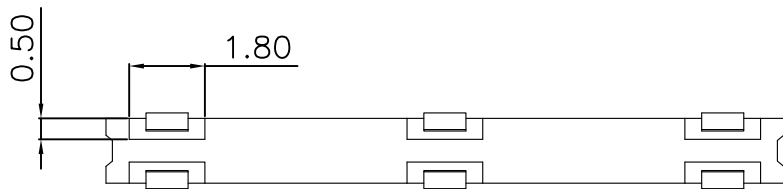
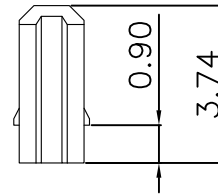
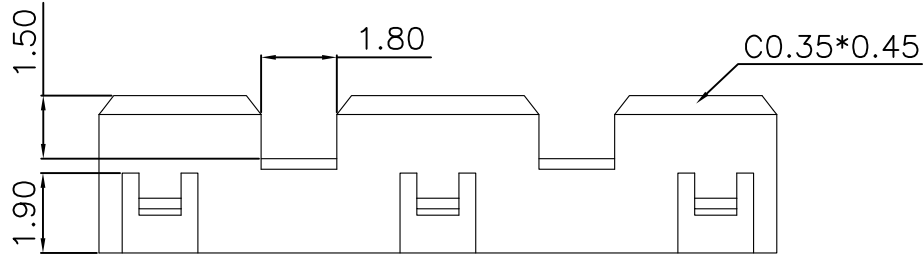
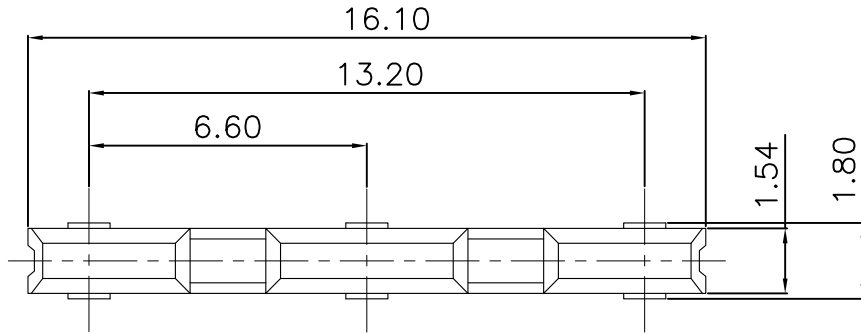
**9390- 2 H 03 H N B**

- Series
- 2: Female Straight
- H:Power Contact  
6.60mm Pitch
- 03: 3of position
- H:Housing
- N:Nut
- B: Bulk Package


Tolerances	Dwg. No.	9390-D0000-005		Title:		 OUPIN ELECTRONIC(KUNSHAN) CO., LTD. P/N: 9390-2H03HNB			
x = $\pm 0.5$ .x = $\pm 0.25$ .xx = $\pm 0.15$	Projection			9390 Series					
	Unit	mm	Scale	1:1		SHEET	1/1	Ver. No.	R1
	Drawn By	SH 10/31'20							

REV.	SPECIFICATION	ECN NO.	APPD.
R1		ECN201102	

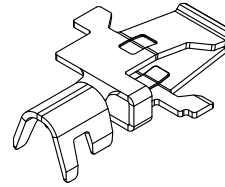
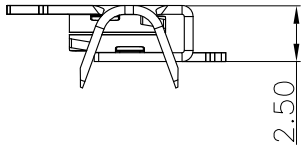
**Material :**  
Housing: LCP, UL94V-0 , BLACK.  
**Electrical Characteristics:**  
Operating Temperature: -20°C ~+105°C .  
**\*RoHS Compliant**



**9390- KEY01 B**  
Series ———  
Stopper ———  
B: Bulk Package

Tolerances	Dwg. No.	9390-D0000-009		Title:			
x = ±0.5 .x = ±0.25 .xx = ±0.15	Projection	⊕		9390 Series			
	Unit	mm	Scale				
	Drawn By	SH 10/31'20		 OUPIIN ELECTRONIC(KUNSHAN) CO., LTD. P/N: 9390-KEY01B			
SHEET		1/1	Ver. No.	R1			

REV.	SPECIFICATION	ECN NO.	APPD.
R2		ECN211115	



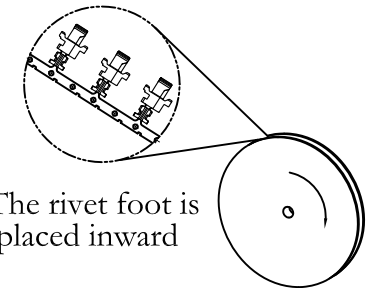
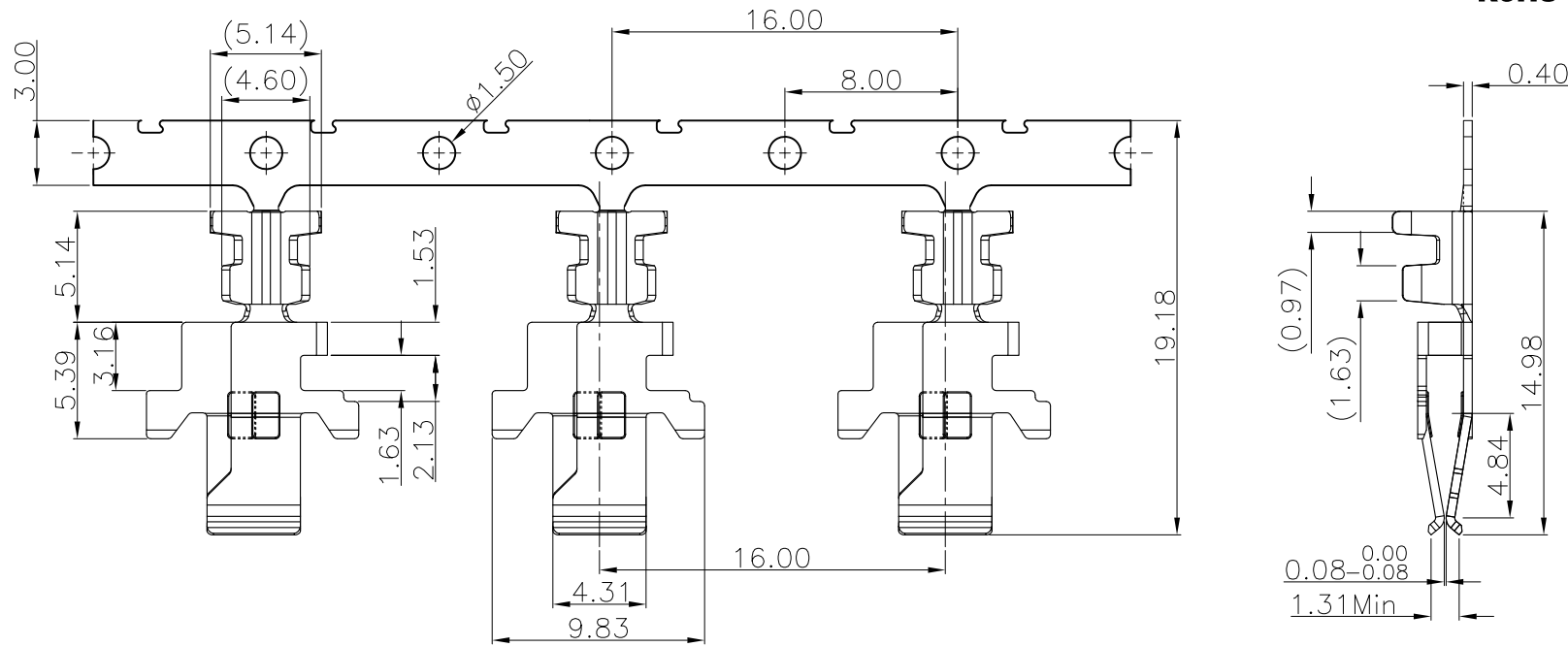
**Material and Plating:**

Power Contacts : High Conductivity Copper  
Gold Plated on Contact Area and 80u"Min Tin  
Plated on solder tail over Nickel 50u"Min.

**Electrical Characteristics:**

Current Rating: Power Pin 15 AMP.

**\*RoHS Compliant**



**9390- PIN F C 00 R**

Series ——— Terminal ——— Female ——— C: Selective Gold Plated ——— R:Reel Package ——— 00:G/F

Tolerances	Dwg. No.	9390-D0000-006		Title:	
x = ±0.5	Projection	⊕ ⊖		9390 Series	
.x = ±0.25	Unit	mm	Scale		1:1
.xx = ±0.15	Drawn By	XS 12/15'21			

<b>OUPIN</b>			
OUPIN ELECTRONIC(KUNSHAN) CO., LTD.			
P/N: 9390-PINF00R			
SHEET	1/1	Ver. No.	R2