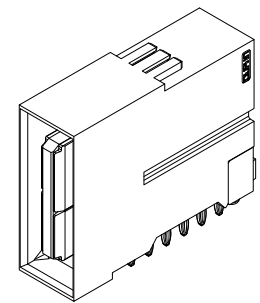
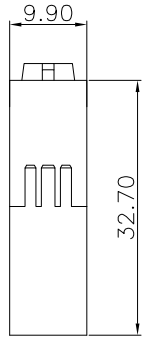


REV.	SPECIFICATION	ECN NO.	APPD.
R1		ECN230135	



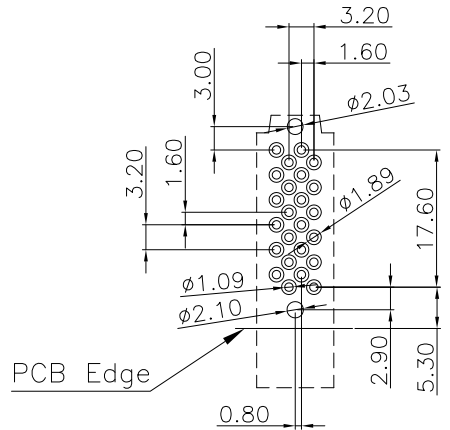
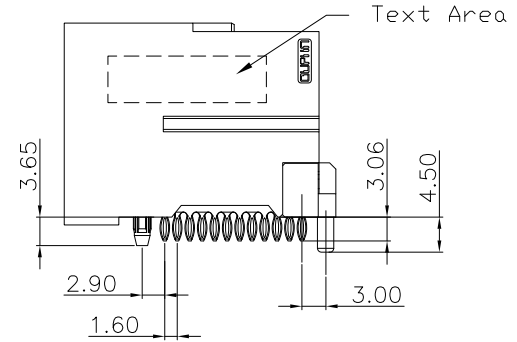
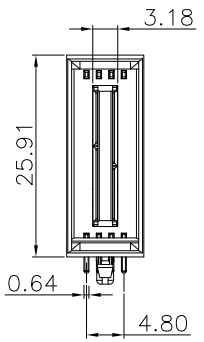
Material and Plating:

Housing: LCP, UL94V-0, Black.
 Power Contacts: High Conductivity Copper.
 30u" Au+Pd/Ni on Contact Area and 80u" Min Tin Plated on Press Fit over nickel 50u" Min .

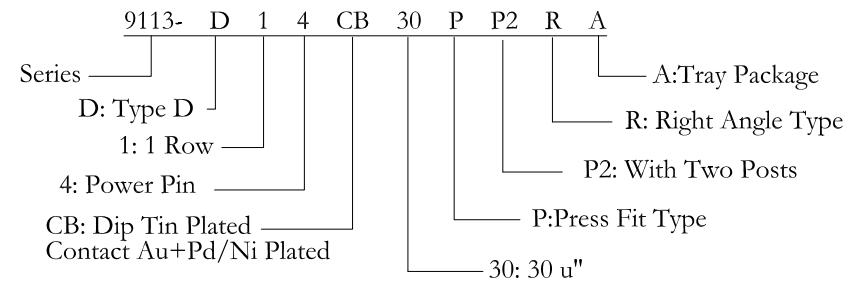
Electrical Characteristics:


Current Rating: Power: 150AMP.
 Dielectric Withstanding Voltage:
 Power: DC 1500V For 1 minute.
 Insulator Resistance: Power: 5000MΩ min. at DC 500V.
 Contact Resistance: 0.10mΩ max
 Operating Temperature: -40°C ~ +105°C.

***RoHS Compliant**



P.C. Board Layout
(Tolerance: ±0.05)



Tolerances	Dwg.No.	9113-D0000-018	Title:		 OUPIIN ELECTRONIC(KUNSHAN) CO., LTD. P/N: 9113-D14CB30PP2RA SHEET 1/1 Ver.No. R1			
X=±0.5	Projection		9113 Series					
.X=±0.25	Unit	mm	Male Power 150AMP					
.XX=±0.15	Drawn By	WP 01/13'23	Connector					