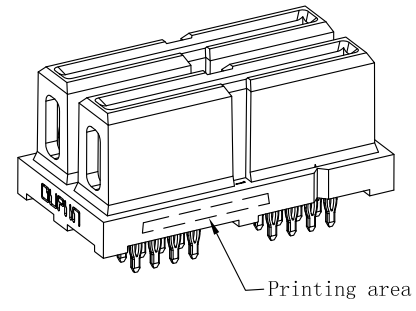
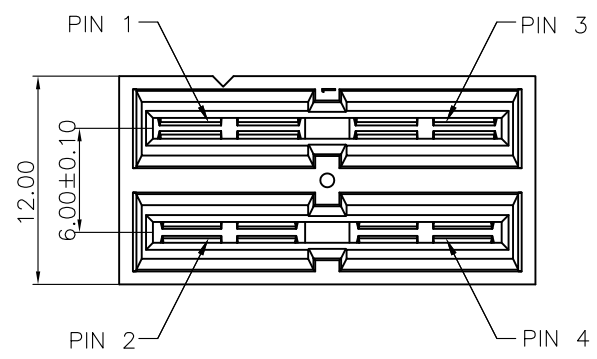
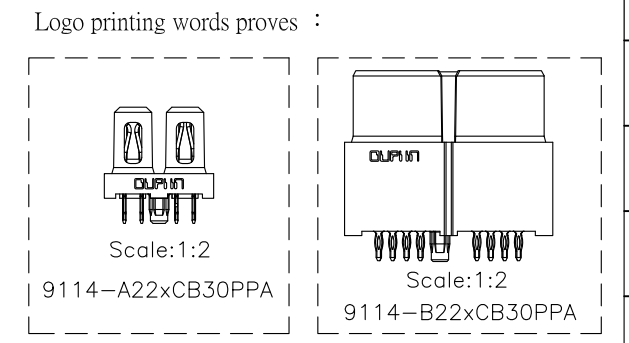
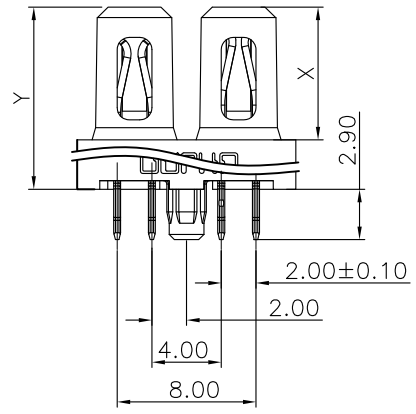
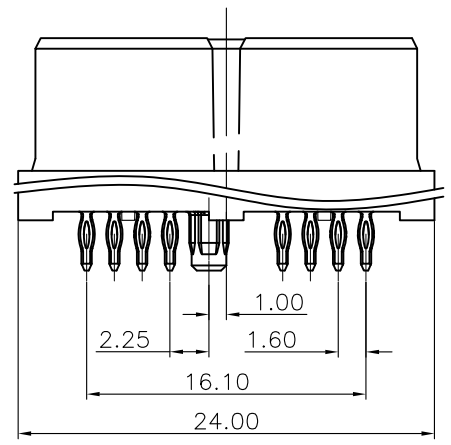


REV.	SPECIFICATION	ECN NO.	APPD.
R3		ECN190809	



**Material and Plating:**  
Housing: LCP, UL94V-0, BLACK.  
Power Contacts: High Conductivity Copper.  
30u" Au+Pd/Ni on Contact Area and 80u" Min Tin Plated on Press Fit over nickel 50u" Min .

**Electrical Characteristics:**  
Current Rating: 35AMP(2oz\*2);45AMP(2oz\*4).  
Dielectric Withstanding Voltage: AC 1500V For 1 minute.  
Insulator Resistance: 1500MΩ min. at DC 500V.  
Contact Resistance: 0.5mΩ max. at DC 20mA.  
Operating Temperature: -55°C~+125°C.  
**\*RoHS Compliant**



9114-x 2 2 x CB 30 P P A

Series  
A:Type A  
B:Type B  
2:2Row  
2: Power Pin  
A:Type A  
B:Type B  
CB: Contact Au+Pd/Ni Dip Tin

A:Tray Package  
P: With Post  
P: Press fit Type  
30:30u"

Product No.	X	Y	Z
9114-A22xCB30PPA	7.65	10.50	16.50
9114-B22xCB30PPA	8.25	19.0	24.40

Type No.	Product No.
	9114-x22ACB30PPA
	9114-x22BCB30PPA

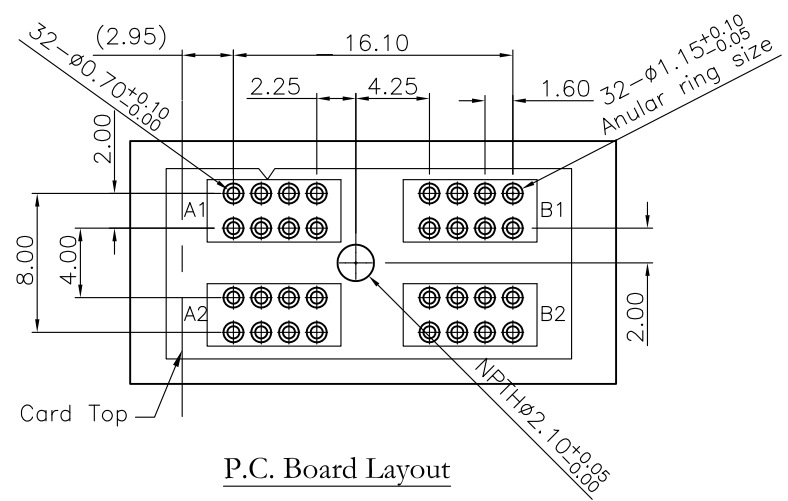
Long PIN

Short PIN

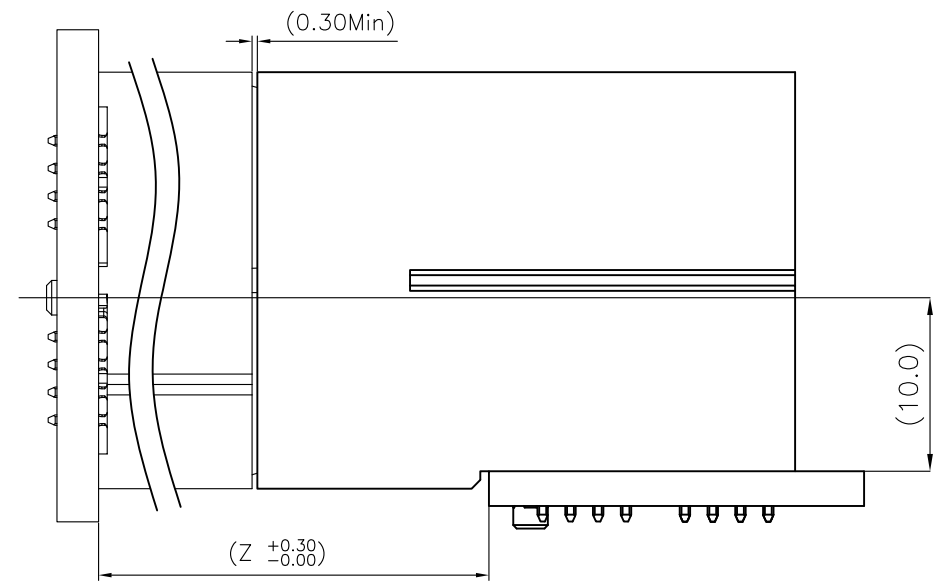
Tolerances	Dwg. No.	9114-D0000-024		Title:
x = ±0.5	Projection			9114 Series
.x = ±0.25	Unit	mm	Scale	Female connector
.xx = ±0.15	Drawn By	GYJ	08/05'19	

<b>OUPIN</b>			
OUPIN ELECTRONIC(KUNSHAN) CO., LTD.			
P/N: 9114-x22xCB30PPA			
SHEET	1/2	Ver. No.	R3

REV.	SPECIFICATION	ECN NO.	APPD.
R3		ECN190809	



P.C. Board Layout  
(Tolerance:± 0.05)



Tolerances	Dwg. No.	9114-D0000-024		Title:	
x = ±0.5	Projection			9114 Series	
.x = ±0.25	Unit	mm	Scale	1:1	
.xx = ±0.15	Drawn By	GYJ 08/05'19		Female connector	

9114 Series  
Female connector

OUPIIN ELECTRONIC(KUNSHAN) CO., LTD.			
P/N: 9114-x22xCB30PPA			
SHEET	2/2	Ver. No.	R3