

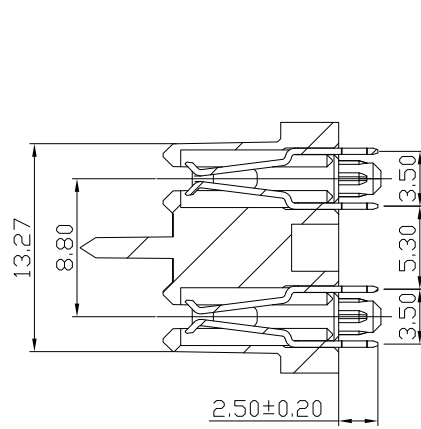
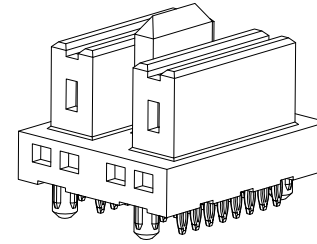
| | | | |
|------|---------------|-----------|-------|
| REV. | SPECIFICATION | ECN NO. | APPD. |
| R2 | | ECN150934 | |

Material:

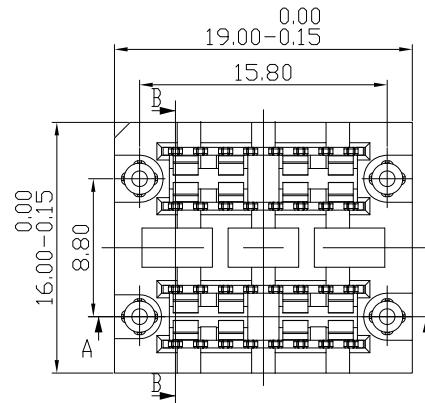
Housing: High Temperature Plastic UL94V-0.
Power Contacts: Copper Alloy.

Electrical Characteristics:

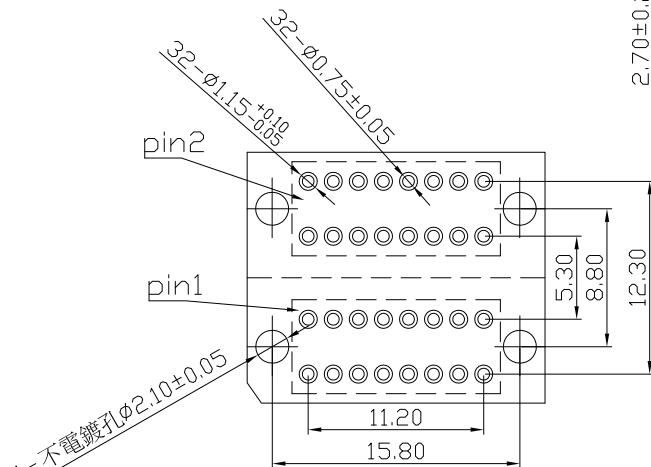
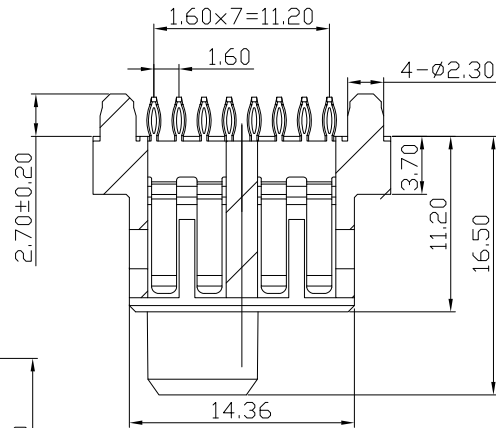
Current Rating: Power: 75AMP.
Dielectric Withstanding Voltage:
Power: AC 1500V For 1 minute.
Insulator Resistance: Power: 1500MΩ min. at DC 500V.
Contact Resistance: Power: 0.7mΩ max.
0.3mΩ min
Operating Temperature: -55°C ~ +105°C.
***RoHS Compliant**



SECTION: B-B



SECTION: A-A



P.C. Board Layout (Press Fit Type)
(Tolerance: ±0.05)

9114 - E 1 2 CB30 P P S A
Series ——— E: Type E ——— 1: 1 Row ——— 2: Power Pin ——— CB30: Contact Au+Pd/Ni, Dip Tin Power Pin: 30u" ——— P: With Post ——— N: Without Post ——— P: Press fit Type ——— A: Tray Package ——— S: Straight

| | | | | | |
|------------|------------|----------------|-------|-----------------|--|
| Tolerances | Dwg. No. | 9114-D0000-012 | | Title: | |
| .x=±0.5 | Projection | ⊕ ⊞ | | 9114 Series | |
| .xx=±0.25 | Unit | mm | Scale | POWER CONNECTOR | |
| .xxx=±0.15 | Drawn By | SGW 09/25/15 | | | |

| | | | |
|-------------------------------------|-----|---------|----|
| OUPIN | | | |
| OUPIN ELECTRONIC(KUNSHAN) CO., LTD. | | | |
| P/N: 9114-E12CB30PPSA | | | |
| SHEET | 1/1 | Ver.No. | R2 |