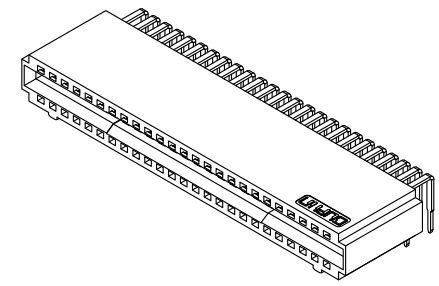
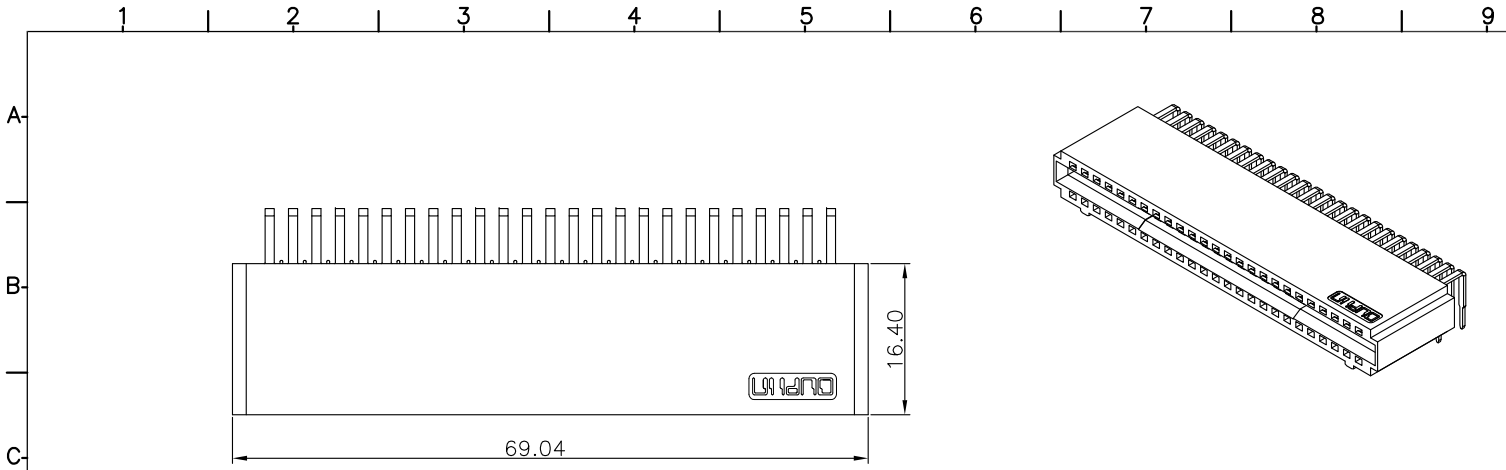
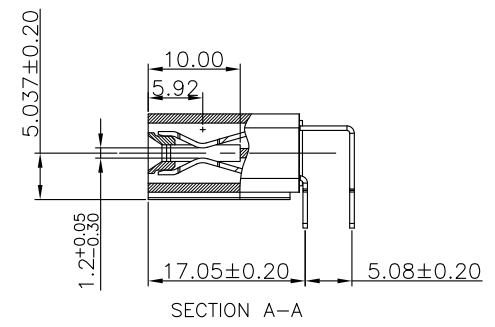
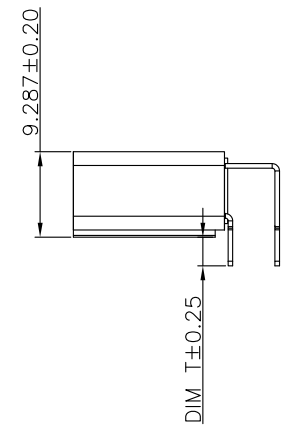
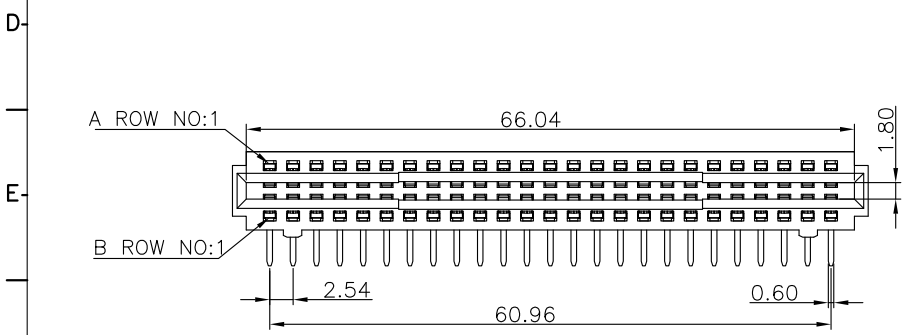


REV.	SPECIFICATION	ECN NO.	APPD.
R4		ECN220863	



Material and Plating:
Housing:LCP, UL94V-0 , BLACK.
Power Contacts:High Conductivity Copper .
30u"Au+Pd/Ni on Contact Area and 80u" Min Tin Plated on Solder Tail over Nickel 50u" Min .

Electrical Characteristics:
Current Rating: 12.5 A(UL).
Dielectric Withstanding Voltage:DC 1000V For 1 minute.
Insulator Resistance: 5000MΩ min. at DC 500V.
Contact Resistance: 2.5mΩ max. at DC 100mA.
Operating Temperature: -55°C ~+105°C .
IR Reflow & PIP profile : 260°C±5°C,10s
***RoHS Compliant**



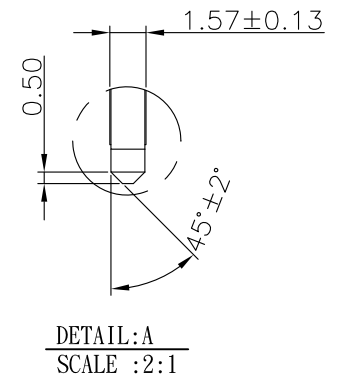
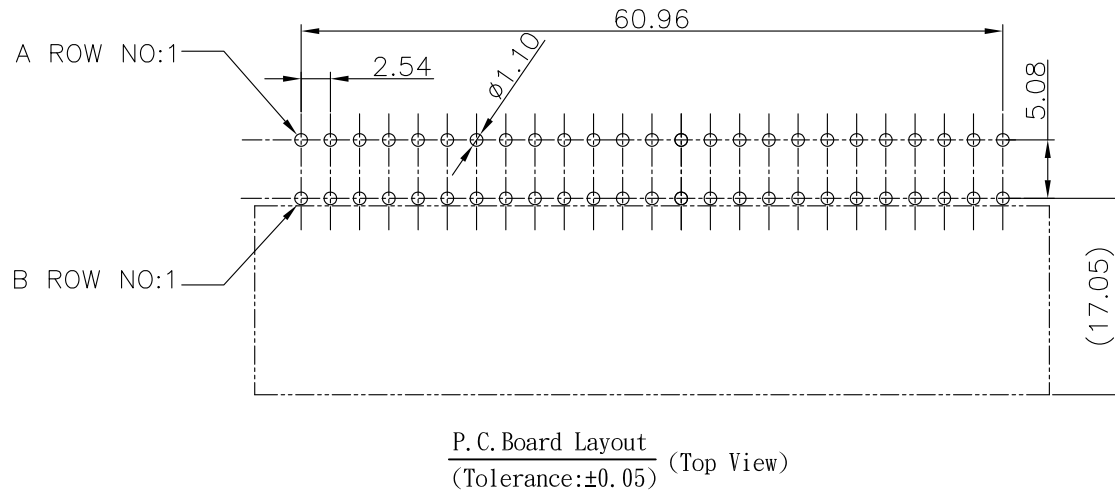
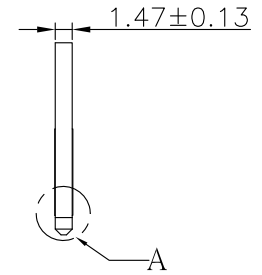
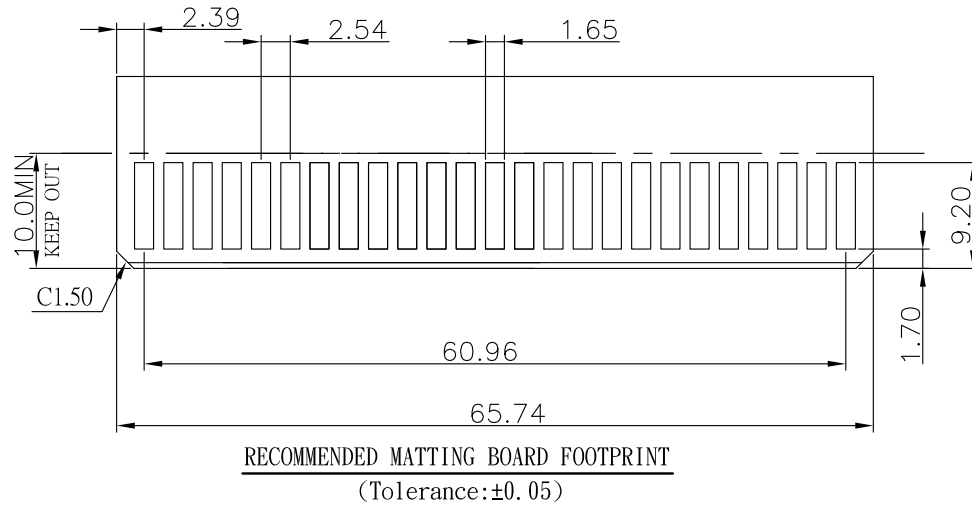
9393-F 4 P50 N x 1 A 1 CB30 D x


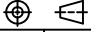
Series: 4:Female Right Angle
Position: N:W/O Post, P:With Post
3:DIM T=2.71mm
4:DIM T=3.10mm
5:DIM T=2.20mm
1:DIM G(GAP)=1.2mm

A: Tray Package
T: Tape & Reel Package
D:Dip Type
P:Press-Fit Type
CB30:Contact Au+Pd/Ni,Dip Tin 30u"
Blank:Center Height 4.25
1:Center Height 5.037
A:Power pitch 2.54
B:Power pitch 5.08

Tolerances	Dwg. No.	9393-D0000-045	Title:		 OUPIIN ELECTRONIC(KUNSHAN) CO., LTD. P/N: 9393-F4P50Nx1A1CB30Dx	
x = ±0.5	Projection		9393 Series			
.x = ±0.25	Unit	mm	Scale	1:1		
.xx = ±0.15	Drawn By	GYJ 08/02'22	Power Edge Connector			
			SHEET	1/2	Ver. No.	R4

REV.	SPECIFICATION	ECN NO.	APPD.
R4		ECN220863	



Tolerances	Dwg. No.	9393-D0000-045	Title:		 OUPIIN ELECTRONIC(KUNSHAN) CO., LTD. P/N: 9393-F4P50Nx1A1CB30Dx			
x = ±0.5	Projection		9393 Series Power Edge Connector					
.x = ±0.25	Unit	mm	Scale	1:1				
.xx = ±0.15	Drawn By	GYJ 08/02'22						