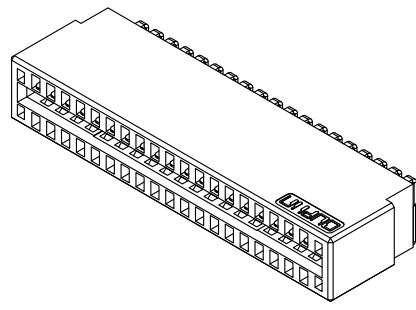
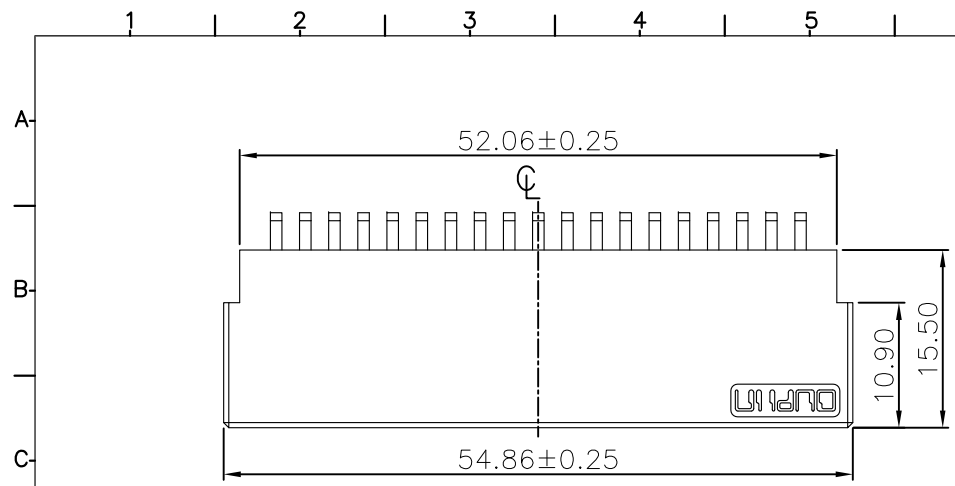


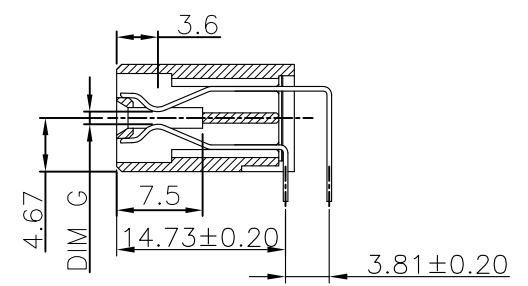
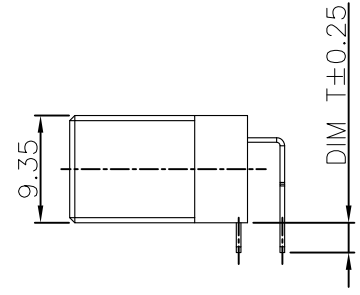
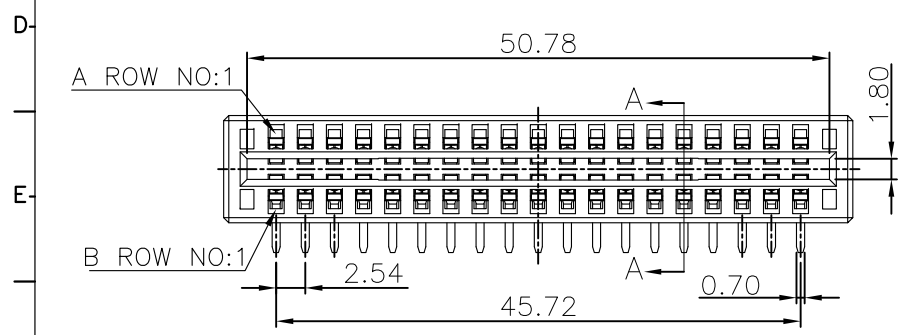
REV.	SPECIFICATION	ECN NO.	APPD.
R1		ECN180335	



Material and Plating:
Housing: LCP, UL94V-0, BLACK.
Power Contacts: High Conductivity Copper .
30u" Au+Pd/Ni on Contact Area and 80u" Min Tin Plated on Solder Tail over nickel 50u" Min .

Electrical Characteristics:
Current Rating: 12.5 A(UL).
Dielectric Withstanding Voltage: DC 1000V For 1 minute.
Insulator Resistance: 5000MΩ min. at DC 500V.
Contact Resistance: 10mΩ max.
Operating Temperature: -5°C ~+105°C .

***RoHS Compliant**

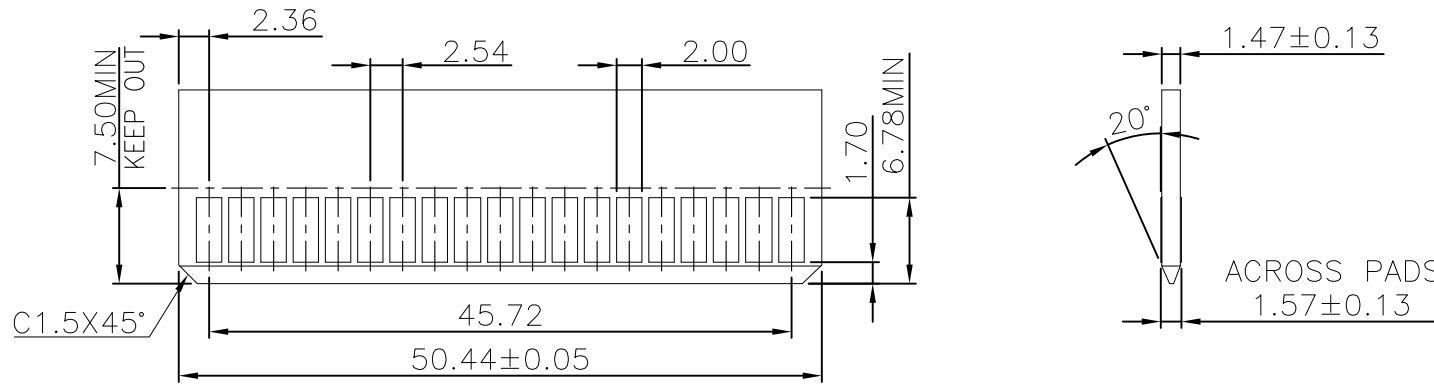


SECTION A-A

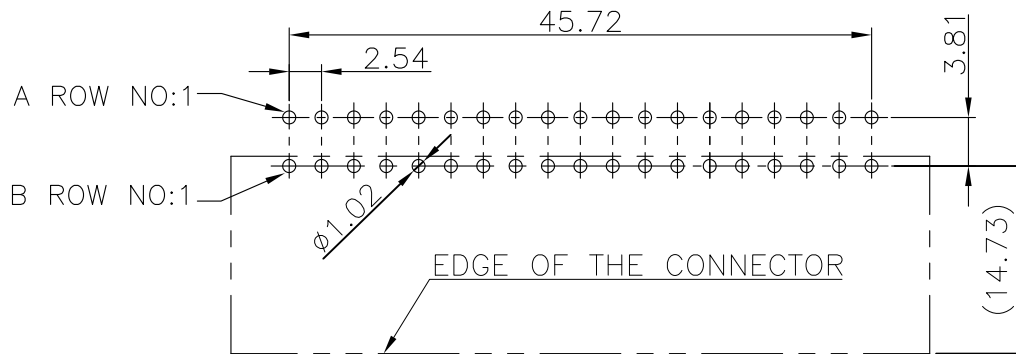
- 9393-A 4 1 P38 N 2 1 A CB30 D A
- Series
- 4:Female Right Angle
- 1:Row Spacing 3.81
- P38:Power Pin
- N:W/O Post
- P:With Post
- 1:DIM T=3.5mm
- 2:DIM T=2.6mm
- A: Tray Package
- D:Dip Type
- CB30>Contact Au+Pd/Ni,Dip Tin 30u"
- A:Power pitch 2.54
- B:Power pitch 5.08
- 1:DIM G(GAP)=1.1mm
- 2:DIM G(GAP)=1.2mm

Tolerances	Dwg. No.	9393-D0000-021	Title:		OUPIIN ELECTRONIC(KUNSHAN) CO., LTD. P/N: 9393-A41P38N21ACB30DA			
x = ±0.5	Projection		9393-A Series Power Edge Connector					
.x = ±0.25	Unit	mm	Scale	1:1	SHEET	1/2	Ver. No.	R1
.xx = ±0.15	Drawn By	CXP03/21'18						

REV.	SPECIFICATION	ECN NO.	APPD.
R1		ECN180335	



Recommend Daughter Card Layout
(Tolerance:±0.05)



P.C.Board Layout (Top View)
(Tolerance:±0.05)

Tolerances	Dwg. No.	9393-D0000-021	Title:			
x = ±0.5	Projection		9393-A Series			
.x = ±0.25	Unit	mm	Scale	1:1	Power Edge Connector	
.xx = ±0.15	Drawn By	CXP03/21'18	 OUPIIN ELECTRONIC(KUNSHAN) CO., LTD. P/N: 9393-A41P38N21ACB30DA			
			SHEET	2/2	Ver. No.	R1