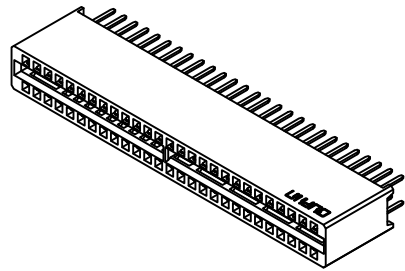


REV.	SPECIFICATION	ECN NO.	APPD.
X4			



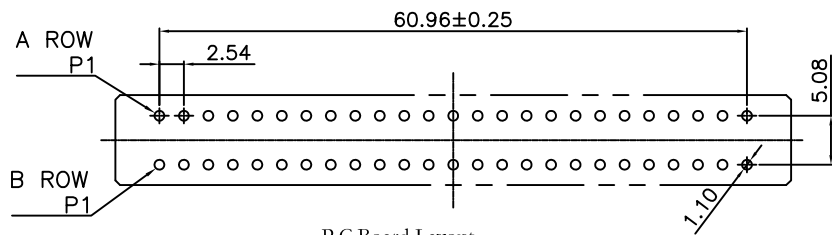
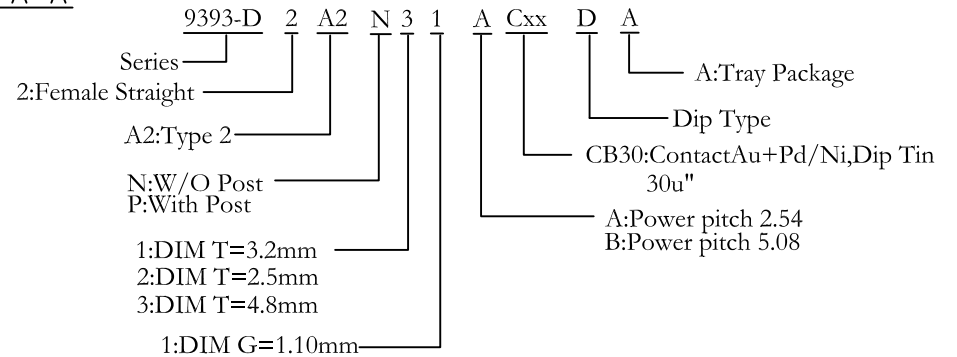
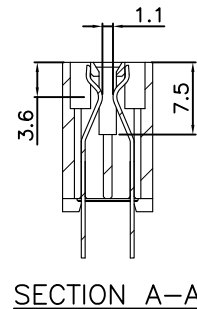
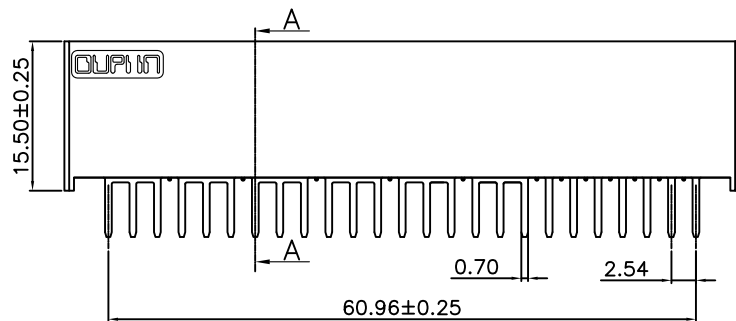
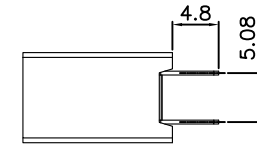
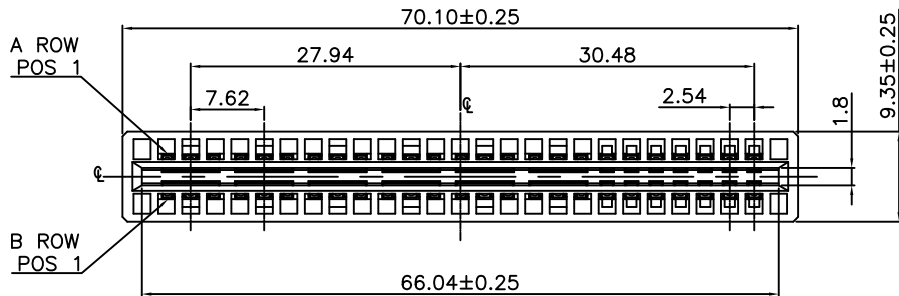
**Material and Plating:**

Housing: LCP, UL94V-0 , BLACK.  
 Power Contacts: High Conductivity Copper .  
 30u" Au+Pd/Ni on Contact Area and 80u" Min Tin  
 Plated on Solder Tail over Nickel 50u" Min .

**Electrical Characteristics:**

Current Rating: 12.5 A(UL).  
 Dielectric Withstanding Voltage: DC 1000V For 1 minute.  
 Insulator Resistance: 5000MΩ min. at DC 500V.  
 Contact Resistance: 2.5mΩ max.  
 Operating Temperature: -5°C ~+105°C .

**\*RoHS Compliant**



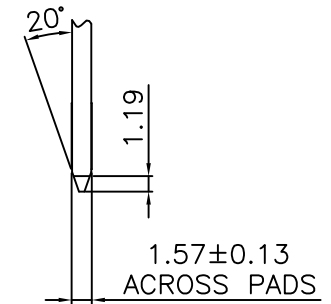
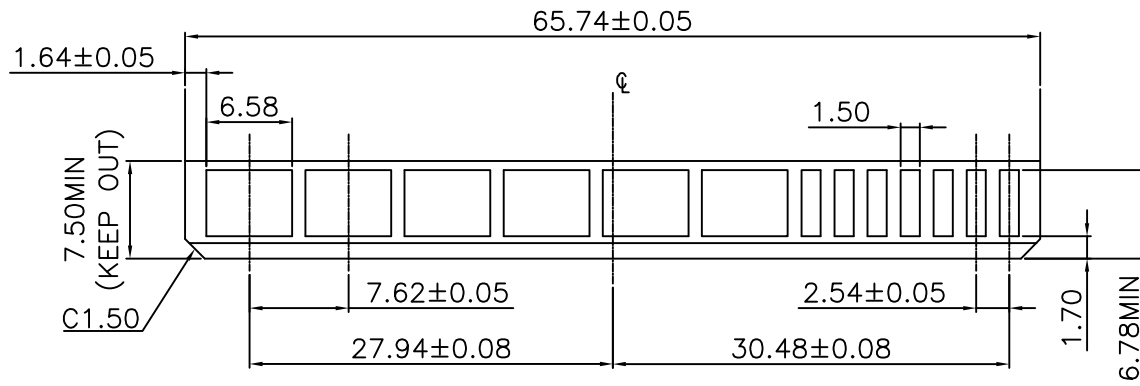
P.C.Board Layout  
(Tolerance:±0.05)

Tolerances	Dwg. No.	9393-D0000-019		Title:	
x=±0.50	Projection	⊕ ⊖		9393-D Series POWER EDGE CONNECTOR	
.x=±0.25	Unit	mm	Scale		1:1
.xx=±0.15	Drawn By	GYJ 08/19'19			

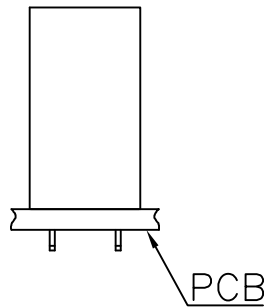
<b>OUPIN</b>			
OUPIN ELECTRONIC(KUNSHAN) CO., LTD.			
P/N: 9393-D2A2N31ACxxDA			
SHEET	1/2	Ver.No.	X4

Type	Pin Arrangement				
A2					

REV.	SPECIFICATION	ECN NO.	APPD.
X4			



Recommend Daughter Card Layout  
Tolerance:±0.05



<b>Tolerances</b> x=±0.50 .x=±0.25 .xx=±0.15	<b>Dwg. No.</b> 9393-D0000-019		<b>Title:</b>		 <b>OUPIIN ELECTRONIC(KUNSHAN) CO., LTD.</b> P/N: 9393-D2A2N31ACxxDA	
	<b>Projection</b>		9393-D Series POWER EDGE CONNECTOR			SHEET 2/2    Ver.No. X4
	<b>Unit</b> mm	<b>Scale</b> 1:1	<b>Drawn By</b> GYJ 08/19'19			