

歐品電子(昆山)有限公司

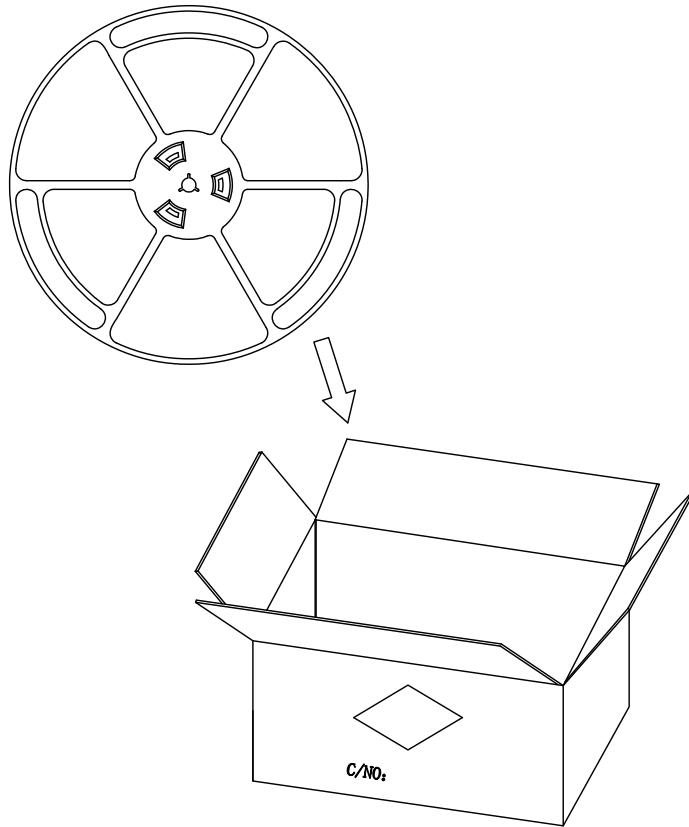
OUPIIN ELECTRONIC(KUNSHAN) CO.,LTD.

PACKAGING SPECIFICATION (包裝作業規範)

SPEC.NO.(規範編號)	2011SPP-04ST-P	適用產品: 2011-04ST-P	PAGE	1/1	REV.	I535-A1
----------------	----------------	-------------------	------	-----	------	---------

PACKING OPERATION DIAGRAM & INSTRUCTION (包裝作業圖示及說明)

REMARK (備註)



Carton 1: 345(mm)X345(mm)X410(mm)

Carton 2: 345(mm)X345(mm)X215(mm)

Packing:
400 Pcs/ Tape & Reel

Drawn By: Lan 03/08'17