

歐品電子(昆山)有限公司

OUPIIN ELECTRONIC(KUNSHAN) CO.,LTD.

PACKAGING SPECIFICATION (包裝作業規範)

CONFIDENTIAL TOP SECRET

SPEC.NO.(規範編號) Q2044SPP-542				PAGE	1/4	REV.	F
APPLICABLE CUSTOMER (適用客戶)	ALL	APPLICABLE PRODUCT (適用產品)	2044-2XxxGxxS(P)B 2044-2XxxGxxS(P)B/6T 2044-2XxxGxxS(P)B/HT 2044-2XxxTxxxSB		PACKAGING CATEGORY (包裝方式)	PVC-BOX PACKING	

REVISION HISTORY (修訂履歷)

ECN REV. NO	PAGE (頁次)								
	1	2	3	4					
D	2044-2XxxTxxxSB (新增料號.)								
E	(新增料號.)								
F	Revise the manner of packing and quantity (修改包裝方式及數量)								

DIVISION (事業單位)	Product Development (產品開發課)	APPROVED (核准)		CHECKED (審核)		PREPARED (制表)	YTY04/18'14
-----------------	-----------------------------	---------------	--	--------------	--	---------------	-------------

歐品電子(昆山)有限公司

OUPIIN ELECTRONIC(KUNSHAN) CO.,LTD.

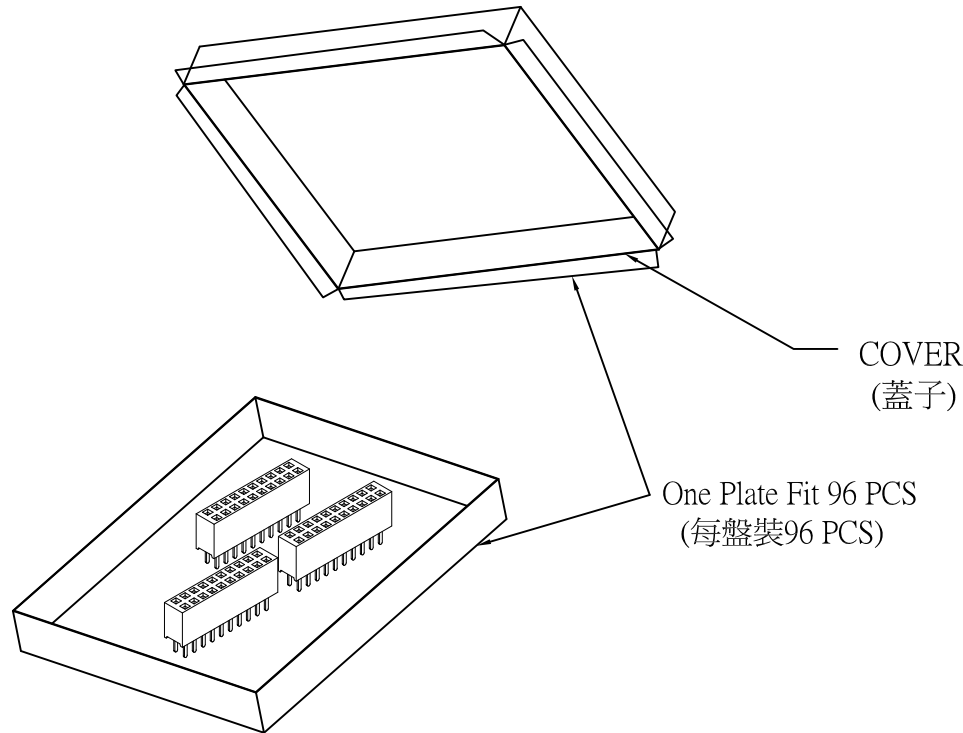
PACKAGING SPECIFICATION (包裝作業規範)

<input checked="" type="checkbox"/> CONFIDENTIAL	<input type="checkbox"/> TOP SECRET		
PAGE	2/4	REV.	F

SPEC.NO.(規範編號) Q2044SPP-542

PACKING OPERATION DIAGRAM & INSTRUCTION (包裝作業圖示及說明)

REMARK (備注)



一.PVC Plate Packing Mode:

(PVC盤包裝方式)

(1).PVC-214

(2).Every box should have upper and lower cover.
(每個PVC盒有上蓋和下蓋)

(3).Put Product 96pvcbox in each box.
(每個箱子放96個盒子)

(4).Install Product:Put the finished product in the case neatly.
(產品放置方式:將成品擺放整齊放置於盒中)

(5).After instal lxx pcs product, cover the packing box,
seal the cover with sticky belt.
(放滿xxpcs產品後,在包裝盒上下蓋起,
用膠帶封住蓋子)

(6).Put the PVC box filled with product in the paper box
in which the waterproof bag has been laid.
(將放滿產品的PVC盒裝入放好防水袋的紙箱內)

歐品電子(昆山)有限公司

OUPIIN ELECTRONIC(KUNSHAN) CO.,LTD.

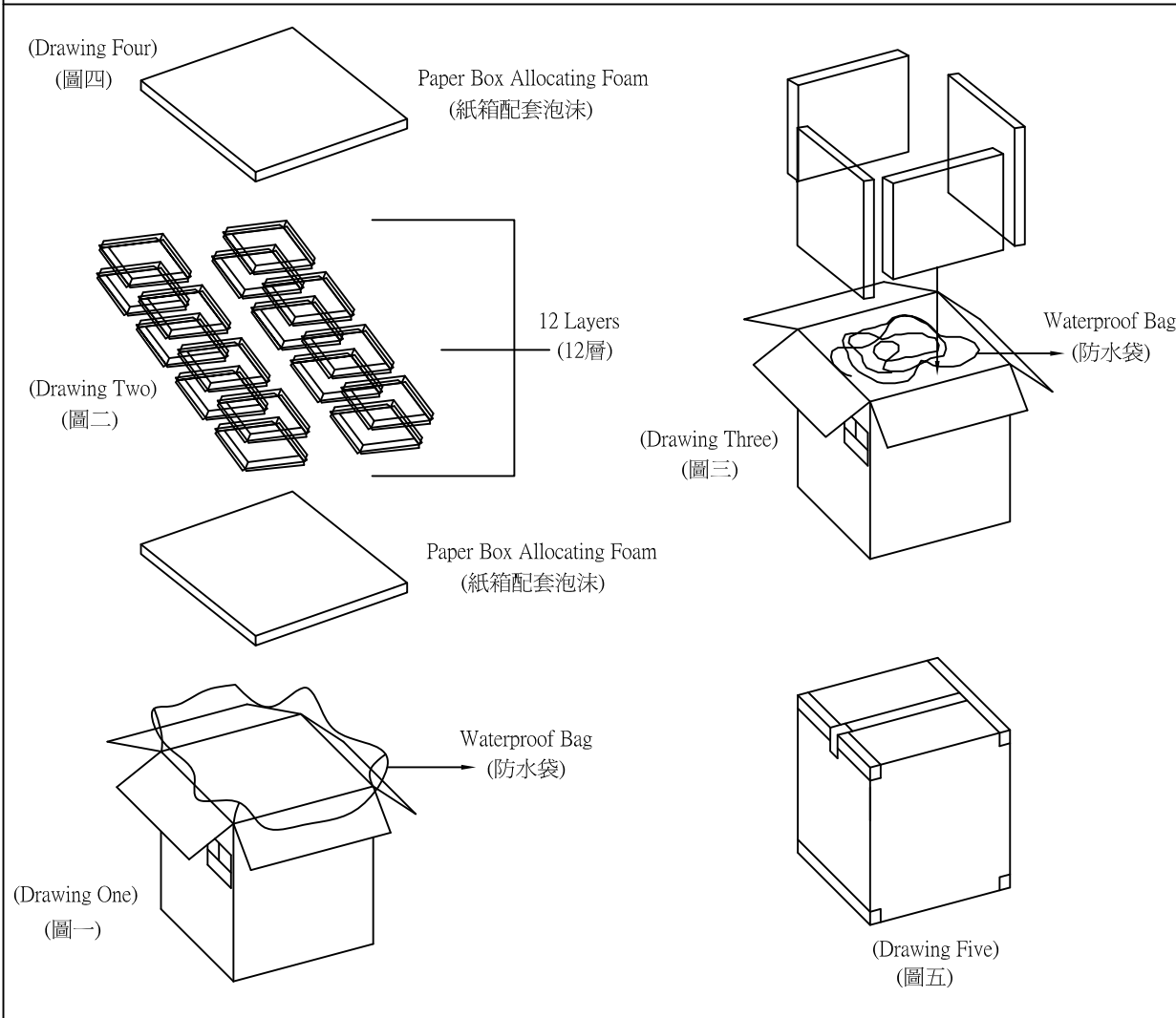
PACKAGING SPECIFICATION (包裝作業規範)

<input checked="" type="checkbox"/> CONFIDENTIAL		<input type="checkbox"/> TOP SECRET	
PAGE	3/4	REV.	F

SPEC.NO.(規範編號) Q2044SPP-542

PACKING OPERATION DIAGRAM & INSTRUCTION (包裝作業圖示及說明)

REMARK (備注)



二。Outer Box Packing Mode: (外箱包裝方式)

- (1).Paper Box(CT-0.9)1PCS(Drawing One).
紙箱(CT-0.9)1PCS(圖一).
- (2).Put 1PCS allocating foam at the bottom of the paper box, put 1PCS waterproof bag on the foam(Drawing One).
底層放入紙箱配套泡沫1PCS.上面放入防水袋1PCS(圖一).
- (3).Seal the waterproof after folding 12layers PVC box(Drawing Two).
疊好12層PVC盒後封上防水袋(圖二).
- (4)Put 1PCS allocating form at each side in the paper box(Drawing Three).
紙箱裡面四側放入配套泡沫各1PCS(圖三).
- (5)Put 1PCS allocating foam at the uppermost layer of the paper box (Drawing Four).
最上層放入紙箱配套泡沫1PCS(圖四).
- (6)Seal the surface of the outer box(Drawing Five).
將外箱上層封口(圖五).

The form on the right and flank side of the box must be filled correctly and clearly,take actual testing weight as the standard of each box groos weight.
(外箱之正面和側面所要填寫之項目要填寫正確,清晰,每箱之毛重應以實測重量為準)

歐品電子(昆山)有限公司

OUPIIN ELECTRONIC(KUNSHAN) CO.,LTD.

PACKAGING SPECIFICATION (包裝作業規範)

CONFIDENTIAL TOP SECRET

SPEC.NO.(規範編號)	Q2044SPP-542						PAGE:	4/4	REV.	F
PACKING MATERIAL (包裝材料)			PRODUCT P/N	PACKING N.W.	PACKING QUANTITY (包裝數量)			WEIGHT (重量) kg		
MATERIAL NAME (材料名稱)	PART NO. (料號)	Q'TY	(產品料號)	(包材重量)	PCS/PVC BOX	PVC BOX/BOX	PCS/BOX	N.W./PCS	N.W./BOX	G.W./BOX
PAPER BOXES (紙箱)	CT-0.9	1	2044-2X02GxxS(P)B	2.94	300	96	28800	0.00039	11.23	14.17
Packing Box (包裝盒)	PVC-214	96	2044-2X03GxxS(P)B	2.94	250	96	24000	0.00059	14.04	16.98
			2044-2X04GxxS(P)B	2.94	150	96	14400	0.00078	11.23	14.17
			2044-2X05GxxS(P)B	2.94	150	96	14400	0.00098	14.04	16.98
WATERPROOF BAG (防水袋)	PE 100*70	1	2044-2X06GxxS(P)B	2.94	100	96	9600	0.00117	11.23	14.17
			2044-2X02GxxS(P)B/6T	0.00	300	96	28800	0.00039	11.23	11.23
			2044-2X03GxxS(P)B/6T	2.94	250	96	24000	0.00059	14.04	16.98
Foam (保麗龍)	-----	5	2044-2X04GxxS(P)B/6T	2.94	150	96	14400	0.00078	11.23	14.17
			2044-2X05GxxS(P)B/6T	2.94	150	96	14400	0.00098	14.04	16.98
			2044-2X06GxxS(P)B/6T	2.94	100	96	9600	0.00117	11.23	14.17
DRYING AGENT (干燥劑)	-----	3	2044-2X02GxxS(P)B/HT	0.00	300	96	28800	0.00039	11.23	11.23
			2044-2X03GxxS(P)B/HT	2.94	250	96	24000	0.00059	14.04	16.98
			2044-2X04GxxS(P)B/HT	2.94	150	96	14400	0.00078	11.23	14.17
			2044-2X05GxxS(P)B/HT	2.94	150	96	14400	0.00098	14.04	16.98
			2044-2X06GxxS(P)B/HT	2.94	100	96	9600	0.00117	11.23	14.17
			2044-2X02TxxxSB	2.94	300	96	28800	0.00037	10.656	13.60
			2044-2X03TxxxSB	2.94	250	96	24000	0.00037	8.88	11.82

1.NOTE:
 (注意) When the finished products have been made,take the actual weight as the standard of gross weight in each box.
 (成品出貨時,每箱之毛重應以實測重量為準)
 When the finished products have been made,stick the proper designation list on the box according to product demand.
 (成品出貨時,依據出貨要求貼上相對應的標籤單)
 CT-1.6 Produce goods taiwan ,CT-1.9 Produce goods shanghai. (CT-1.6出貨台灣OP,CT-1.9出貨上海SH)
 It doesn't influence the manner of packing with the gold-plated way to print word way.Can amalgamate.(印字方式跟鍍金方式不影響包裝方式,可以共用)