

# 歐品電子(昆山)有限公司

OUPIN ELECTRONIC(KUNSHAN) CO.,LTD.

PACKAGING SPECIFICATION (包裝作業規範)

CONFIDENTIAL  TOP SECRET

SPEC.NO.(規範編號) Q2141SPP-111		APPLICABLE CUSTOMER (適用客戶) ALL		APPLICABLE PRODUCT (適用產品) 2141-2XxxGxxSA		PAGE 1/6	REV. I
						PACKAGING CATEGORY (包裝方式)	TRAY PLATE PACKING

## REVISION HISTORY (修訂履歷)

ECN REV. NO	PAGE (頁次)							
	1	2	3	4				
I	Change SPP quantity. (修改包裝數量)							

DIVISION (事業單位)	Product Development (產品開發課)	APPROVED (核准)	CHECKED (審核)	PREPARED (制表)	Wyb 05/22'11
-----------------	-----------------------------	---------------	--------------	---------------	--------------

# 歐品電子(昆山)有限公司

OUPIIN ELECTRONIC(KUNSHAN) CO.,LTD.

## PACKAGING SPECIFICATION (包裝作業規範)

CONFIDENTIAL  TOP SECRET

SPEC.NO.(規範編號) Q2141SPP-111

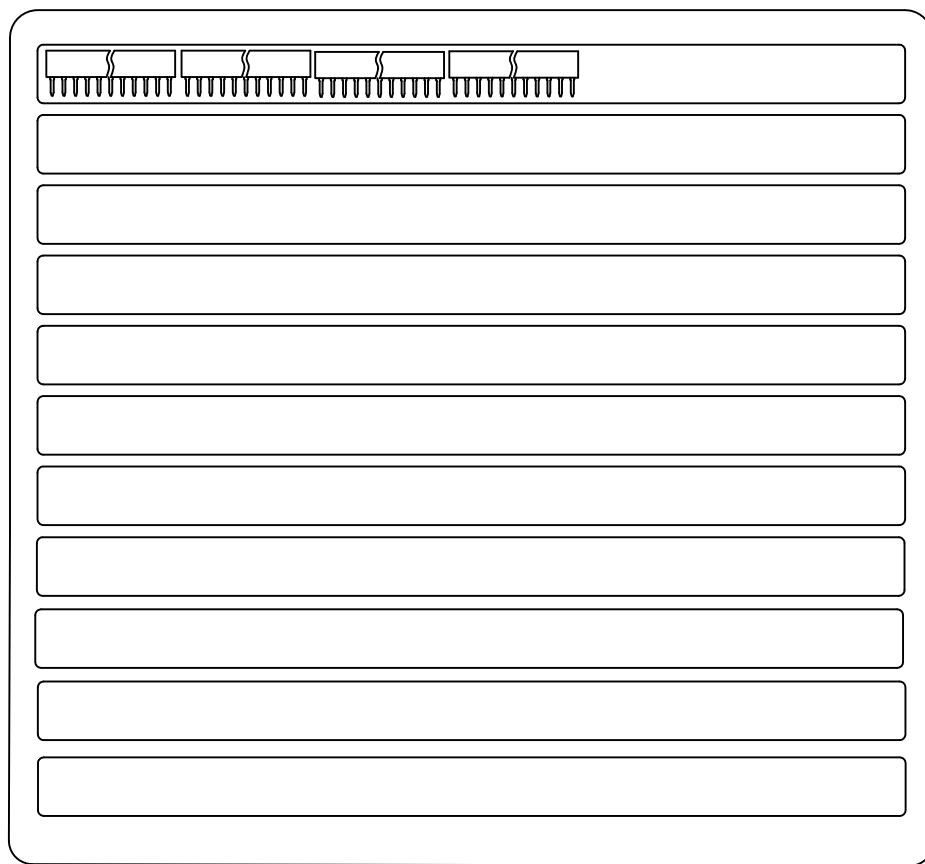
PAGE 2/6 REV. I

### PACKING OPERATION DIAGRAM & INSTRUCTION (包裝作業圖示及說明)

### REMARK (備注)

#### Laying Product Diagram:

(產品擺放圖示)



#### 一.PVC Plate Packing Mode:

(PVC盤包裝方式)

(1).CT-0.9 Box: PVC-2042-02 40 PCS.

(CT-0.9 規格的紙箱放PVC-2042-02盤 40 PCS)

(2).Put product in each trough fully as shown in diagram.

(產品在盤子中擺放方式如圖所示)

(3).After filling each trough with product fully,cover it with transparent upper cover PVC-2042-02 1PCS。

(每盤放滿產品後,加蓋透明上蓋 PVC-2042-02 1PCS)

(4).Stack the XX PVC plates filled with product, put them in the paper box in which has been put waterproof bag.

(將放滿產品的XX個PVC盤疊起,裝入防水袋放入紙箱內)

# 歐品電子(昆山)有限公司

OUPIIN ELECTRONIC(KUNSHAN) CO.,LTD.

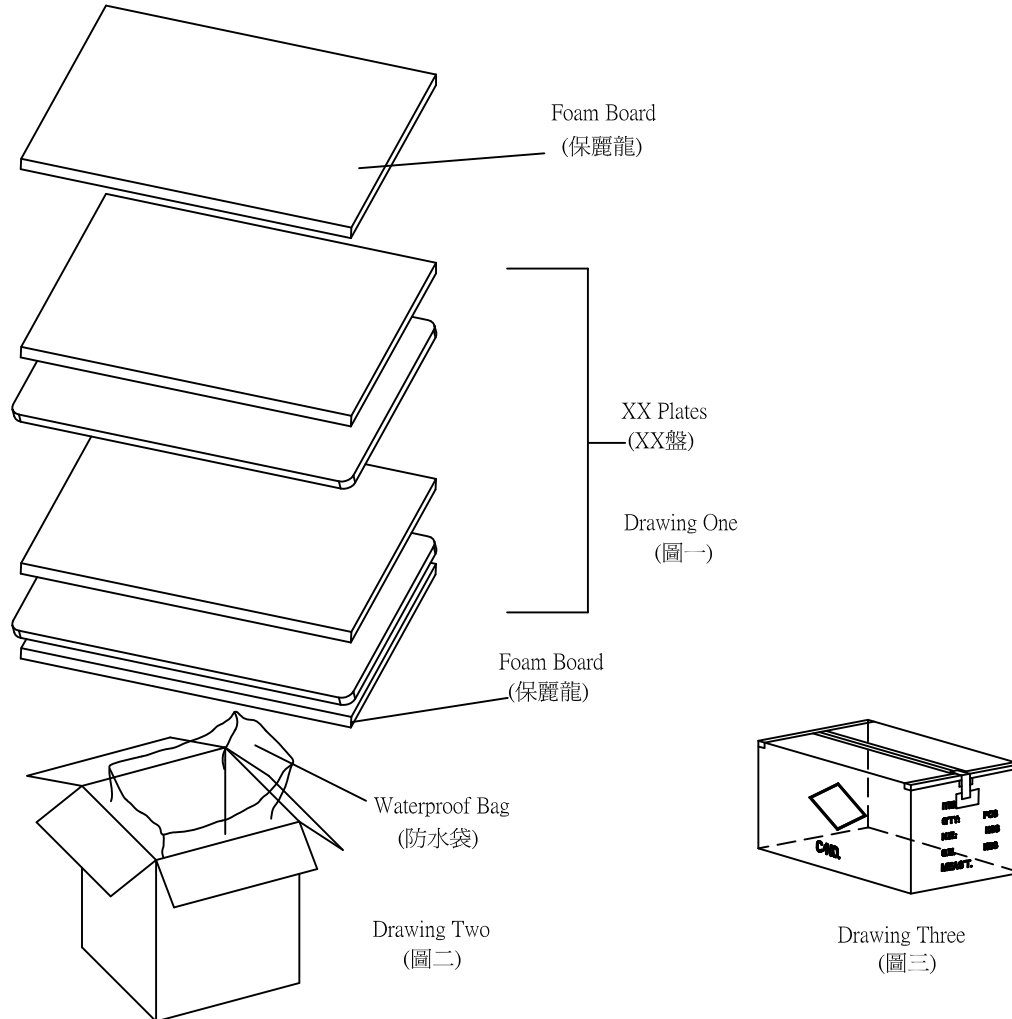
PACKAGING SPECIFICATION (包裝作業規範)

<input checked="" type="checkbox"/> CONFIDENTIAL		<input type="checkbox"/> TOP SECRET	
PAGE	3/6	REV.	I

SPEC.NO.(規範編號) Q2141SPP-111

## PACKING OPERATION DIAGRAM & INSTRUCTION (包裝作業圖示及說明)

## REMARK (備注)



### 一. Outer Box Packing Mode: (外箱包裝方式)

- (1). Paper box 0.9 standard 1 PCS, as shown in drawing Two. (紙箱 0.9 規格 1 PCS, 如(圖二)所示)
- (2). Put one Foam Board in the upper and lower of the paper box, 2 PCS in all, as shown in drawing One. (每箱上下各放一塊保麗龍, 共 2 PCS, 如(圖一)所示)
- (3). Put 1 PCS waterproof in the paper box, as shown in drawing Two. (紙箱內側放入防水袋 1 PCS, 如(圖二)所示)
- (4). Piled the XX packing plates packed up in the waterproof. (將放滿產品的 XX 個 PVC 盤疊起, 裝入防水袋內)
- (5). Seal the waterproof bag, then put the Foam Board 1 PCS on the bag. (Put 1 PCS Foam Board at the right and left side in the paper box if it is necessary.) (封上防水袋, 然後放上第二塊保麗龍薄板) (必要時, 在紙箱的左右兩側各放一塊保麗龍)
- (6). Seal the surface of the outer box, as shown in drawing Three. (將外箱上層封口, 如(圖三)所示)

The form on the right and flank side of the box must be filled correctly and clearly, take actual testing weight as the standard of each box gross weight.

外箱之正麥和側麥所要填寫之項目要填寫正確, 清晰, 每箱之毛重應以實測重量為準.

# 歐品電子(昆山)有限公司

OUPIIN ELECTRONIC(KUNSHAN) CO.,LTD.

## PACKAGING SPECIFICATION (包裝作業規範)

CONFIDENTIAL  TOP SECRET

SPEC.NO.(規範編號)		Q2141SPP-111					PAGE:		4/6	REV.	I
PACKING MATERIAL (包裝材料)			PRODUCT P/N	CT NO.	PACKING N.W.	PACKING QUANTITY (包裝數量)			WEIGHT (重量) kg		
MATERIAL NAME (材料名稱)	PART NO. (料號)	Q'TY	(產品料號)	(紙箱規格)	(包材重量)	PCS/TRAY	TRAY/BOX	PCS/BOX	N.W./PCS	N.W./BOX	G.W./BOX
PAPER BOXES (紙箱)	CT-0.9	1	2141-2X02GxxSA	CT-0.9	3.81	627	40	25080	0.000144	3.61	7.42
Packing Box (包裝盒)	PVC-2042-02	----	2141-2X03GxxSA	CT-0.9	3.81	418	40	16720	0.000216	3.61	7.42
			2141-2X04GxxSA	CT-0.9	3.81	308	40	12320	0.000288	3.55	7.36
			2141-2X05GxxSA	CT-0.9	3.81	253	40	10120	0.00036	3.64	7.45
Packing Box Cover (包裝盒蓋子)	PVC-2042-02	----	2141-2X06GxxSA	CT-0.9	3.81	209	40	8360	0.000432	3.61	7.42
			2141-2X07GxxSA	CT-0.9	3.81	176	40	7040	0.000504	3.55	7.36
			2141-2X08GxxSA	CT-0.9	3.81	154	40	6160	0.000576	3.55	7.36
WATERPROOF BAG (防水袋)	PE 100*70	1	2141-2X09GxxSA	CT-0.9	3.81	132	40	5280	0.000648	3.42	7.23
			2141-2X10GxxSA	CT-0.9	3.81	121	40	4840	0.00072	3.48	7.30
			2141-2X11GxxSA	CT-0.9	3.81	110	40	4400	0.000792	3.48	7.30
Foam (保麗龍)	-----	2	2141-2X12GxxSA	CT-0.9	3.81	99	40	3960	0.000864	3.42	7.23
			2141-2X13GxxSA	CT-0.9	3.81	88	40	3520	0.000936	3.29	7.11
			2141-2X14GxxSA	CT-0.9	3.81	88	40	3520	0.001008	3.55	7.36
DRYING AGENT (干燥劑)	-----	3	2141-2X15GxxSA	CT-0.9	3.81	77	40	3080	0.00108	3.33	7.14
			2141-2X16GxxSA	CT-0.9	3.81	77	40	3080	0.001152	3.55	7.36
			2141-2X17GxxSA	CT-0.9	3.81	77	40	3080	0.001224	3.77	7.58
			2141-2X18GxxSA	CT-0.9	3.81	66	40	2640	0.001296	3.42	7.23
			2141-2X19GxxSA	CT-0.9	3.81	66	40	2640	0.001368	3.61	7.42

1.NOTE:

(注意)

When the finished products have been made,take the actual weight as the standard of gross weight in each box.

(成品出貨時,每箱之毛重應以實測重量為準)

When the finished products have been made,stick the proper designation list on the box according to product demand.

(成品出貨時,依據出貨要求貼上相對應的標籤單)

# 歐品電子(昆山)有限公司

OUPIIN ELECTRONIC(KUNSHAN) CO.,LTD.

## PACKAGING SPECIFICATION (包裝作業規範)

CONFIDENTIAL     TOP SECRET

SPEC.NO.(規範編號)		Q2141SPP-111							PAGE:	5/6	REV.	I
PACKING MATERIAL (包裝材料)			PRODUCT P/N	CT NO.	PACKING N.W.	PACKING QUANTITY (包裝數量)			WEIGHT (重量) kg			
MATERIAL NAME (材料名稱)	PART NO. (料號)	Q'TY	(產品料號)	(紙箱規格)	(包材重量)	PCS/TRAY	TRAY/BOX	PCS/BOX	N.W./PCS	N.W./BOX	G.W./BOX	
PAPER BOXES (紙箱)	CT-0.9	1	2141-2X20GxxSA	CT-0.9	3.81	55	40	2200	0.00144	3.17	6.98	
Packing Box (包裝盒)	PVC-2042-02	----	2141-2X21GxxSA	CT-0.9	3.81	55	40	2200	0.001512	3.33	7.14	
			2141-2X22GxxSA	CT-0.9	3.81	55	40	2200	0.001584	3.48	7.30	
			2141-2X23GxxSA	CT-0.9	3.81	55	40	2200	0.001656	3.64	7.45	
Packing Box Cover (包裝盒蓋子)	PVC-2042-02	----	2141-2X24GxxSA	CT-0.9	3.81	44	40	1760	0.001728	3.04	6.85	
			2141-2X25GxxSA	CT-0.9	3.81	44	40	1760	0.0018	3.17	6.98	
			2141-2X26GxxSA	CT-0.9	3.81	44	40	1760	0.001872	3.29	7.11	
WATERPROOF BAG (防水袋)	PE 100*70	1	2141-2X27GxxSA	CT-0.9	3.81	44	40	1760	0.001944	3.42	7.23	
			2141-2X28GxxSA	CT-0.9	3.81	44	40	1760	0.002016	3.55	7.36	
			2141-2X29GxxSA	CT-0.9	3.81	33	40	1320	0.002088	2.76	6.57	
Foam (保麗龍)	-----	2	2141-2X30GxxSA	CT-0.9	3.81	33	40	1320	0.00216	2.85	6.66	
			2141-2X31GxxSA	CT-0.9	3.81	33	40	1320	0.002232	2.95	6.76	
			2141-2X32GxxSA	CT-0.9	3.81	33	40	1320	0.002304	3.04	6.85	
DRYING AGENT (干燥劑)	-----	3	2141-2X33GxxSA	CT-0.9	3.81	33	40	1320	0.002376	3.14	6.95	
			2141-2X34GxxSA	CT-0.9	3.81	33	40	1320	0.002448	3.23	7.04	
			2141-2X35GxxSA	CT-0.9	3.81	33	40	1320	0.00252	3.33	7.14	
			2141-2X36GxxSA	CT-0.9	3.81	33	40	1320	0.002592	3.42	7.23	
			2141-2X37GxxSA	CT-0.9	3.81	33	40	1320	0.002664	3.52	7.33	

1.NOTE:  
 (注意)  
 When the finished products have been made,take the actual weight as the standard of gross weight in each box.  
 (成品出貨時,每箱之毛重應以實測重量為準)  
 When the finished products have been made,stick the proper designation list on the box according to product demand.  
 (成品出貨時,依據出貨要求貼上相對應的標籤單)

# 歐品電子(昆山)有限公司

OUPIIN ELECTRONIC(KUNSHAN) CO.,LTD.

## PACKAGING SPECIFICATION (包裝作業規範)

CONFIDENTIAL     TOP SECRET

SPEC.NO.(規範編號)

Q2141SPP-111

PAGE:

6/6

REV.

I

PACKING MATERIAL (包裝材料)

PRODUCT P/N

CT NO.

PACKING N.W.

PACKING QUANTITY (包裝數量)

WEIGHT (重量) kg

MATERIAL NAME  
(材料名稱)

PART NO. (料號)

Q'TY

(產品料號)

(紙箱規格)

(包材重量)

PCS/TRAY

TRAY/BOX

PCS/BOX

N.W./PCS

N.W./BOX

G.W./BOX

PAPER BOXES (紙箱)

CT-0.9

1

2141-2X38GxxSA

CT-0.9

3.81

33

40

1320

0.002736

3.61

7.42

Packing Box  
(包裝盒)

PVC-2042-02

----

2141-2X39GxxSA

CT-0.9

3.81

22

40

880

0.002808

2.47

6.28

2141-2X40GxxSA

CT-0.9

3.81

22

40

880

0.00288

2.53

6.35

Packing Box Cover  
(包裝盒蓋子)

PVC-2042-02

----

WATERPROOF BAG  
(防水袋)

PE 100\*70

1

Foam (保麗龍)

-----

2

DRYING AGENT  
(干燥劑)

-----

3

1.NOTE:

(注意)

When the finished products have been made,take the actual weight as the standard of gross weight in each box.

(成品出貨時,每箱之毛重應以實測重量為準)

When the finished products have been made,stick the proper designation list on the box according to product demand.

(成品出貨時,依據出貨要求貼上相對應的標籤單)