

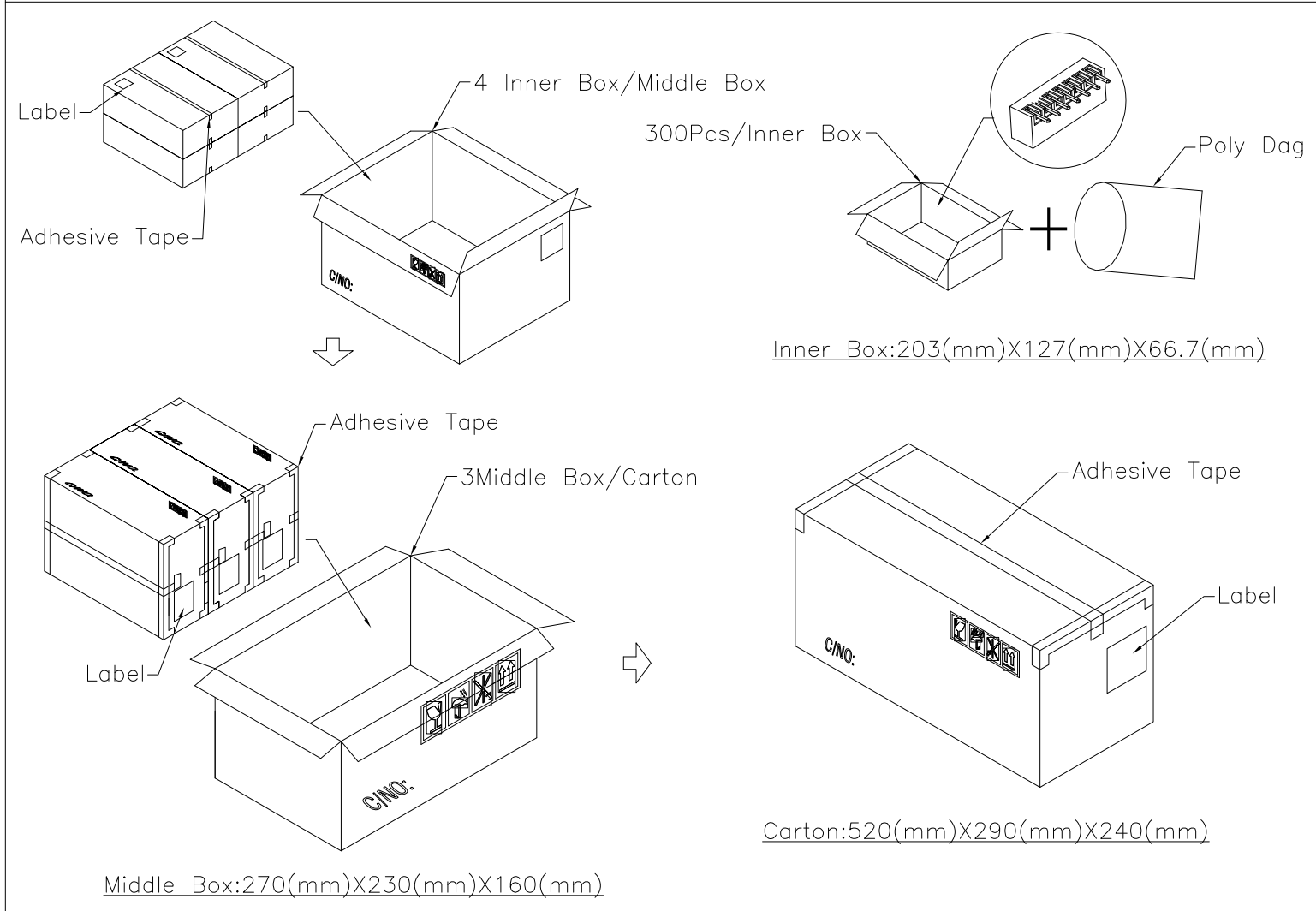
歐品電子(昆山)有限公司

OUPIN ELECTRONIC(KUNSHAN) CO.,LTD.

PACKAGING SPECIFICATION (包裝作業規範)

SPEC.NO.(規範編號)	8930SPP-G085120RB	適用產品: 8930-G085120GBAxxRB	PAGE	1/1	REV.	I780-A1
----------------	-------------------	---------------------------	------	-----	------	---------

PACKING OPERATION DIAGRAM & INSTRUCTION (包裝作業圖示及說明)	REMARK (備註)
---	-------------



Package:
 04P:
 300 Pcs/ Inner Box
 4 Inner Box/ Middle Box
 3 Middle Box/ Carton
 3600 Pcs/ Carton

08P:
 190 Pcs/ Inner Box
 4 Inner Box/ Middle Box
 3 Middle Box/ Carton
 2280 Pcs/ Carton

Carton:
 04P:
 N.W.: 5.9 Kg
 G.W.: 8.1 Kg

08P:
 N.W.: 7.5 Kg
 G.W.: 9.7 Kg

Drawn By: Vic Lyu 07/07'15